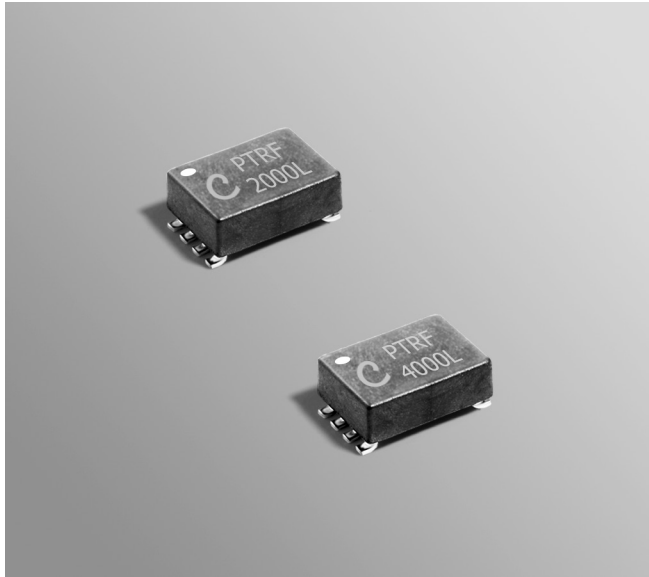




# Surface Mount Tip and Ring Filters



These surface mount tip and ring filters provide substantial reduction of noise throughout an extended frequency range. Their economical design makes them attractive for a wide variety of applications.

Free evaluation samples are available by contacting Coilcraft or ordering them on-line at [www.coilcraft.com](http://www.coilcraft.com).

**Core material** Ferrite

**Terminations** RoHS tin-silver-copper over tin over nickel over phos bronze

**Weight** 214 – 216 mg

**Ambient temperature** -40°C to +85°C

**Storage temperature** Component: -40°C to +85°C.

Tape and reel packaging: -40°C to +80°C

**Resistance to soldering heat** Max three 40 second reflows at +260°C, parts cooled to room temperature between cycles

**Moisture Sensitivity Level (MSL)** 1 (unlimited floor life at <30°C / 85% relative humidity)

**Packaging** 500/7" reel; 2000/13" reel Plastic tape: 16 mm wide, 0.35 mm thick, 8 mm pocket spacing, 4.4 mm pocket depth

**PCB washing** Tested to MIL-STD-202 Method 215 plus an additional aqueous wash. See [Doc787\\_PCB\\_Washing.pdf](#).

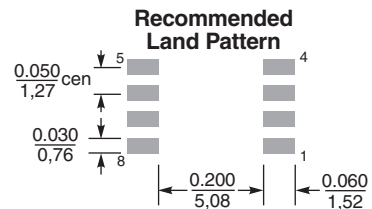
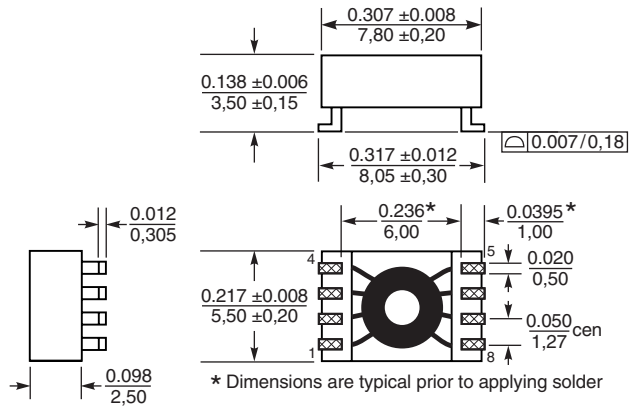
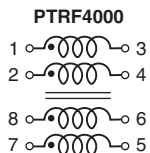
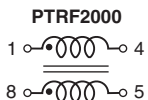
Part number <sup>1</sup>	Lines	Common mode peak impedance (kOhms)	Cutoff frequency <sup>2</sup> (MHz)	Inductance min (µH) <sup>3</sup>	DCR max <sup>4</sup> (Ohms)	Isolation <sup>5</sup> (Vrms)	Current <sup>6</sup> (mA dc)
PTRF2000L_	1	0.814 @ 11 MHz	38	35	0.075	1500	500
PTRF4000L_	2	0.851 @ 12 MHz	41	35	0.135	1500	500

1. When ordering, please specify **packaging** code:

**PTRF4000LC**

- Packaging:**
- C** = 7" machine ready reel. EIA-481 embossed plastic tape, 500 parts per full reel.
  - B** = Less than full reel. In tape, but not machine ready. To have a leader and trailer added (\$25 charge), use code letter C instead.
  - D** = 13" machine ready reel. EIA-481 embossed plastic tape. Factory order only, not stocked, 2000 parts per full reel.

- 2 Frequency at which the differential mode attenuation equals -3 dB
  - 3 Inductance shown for each winding, measured at 130 kHz, 0.1 Vrms, 0 Adc on an Agilent/HP 4284A LCR meter or equivalent.
  - 4 DCR is for each winding.
  - 5 Interwinding isolation (hipot) tested for one minute.
  - 6 Electrical specifications at 25°C.
- Refer to Doc 362 "Soldering Surface Mount Components" before soldering.



Dimensions are in  $\frac{\text{inches}}{\text{mm}}$

## X-ON Electronics

Largest Supplier of Electrical and Electronic Components

*Click to view similar products for [Common Mode Chokes / Filters](#) category:*

*Click to view products by [Coilcraft](#) manufacturer:*

Other Similar products are found below :

[74279408](#) [PE-62911NL](#) [PE-64683](#) [ST6118T-R](#) [T8114NLT](#) [RD5122-10-6M0](#) [TCM0806G-350-2P-T](#) [TCM0806G-650-2P-T](#) [IND-0110](#)  
[UAL21V07012500](#) [UAL21VR0802000](#) [UAL24VR06500CH](#) [UALSC023000000](#) [UALSC1020JH000](#) [UALSC1520JH000](#)  
[UALSU16VD30030](#) [UALSU16VD40010](#) [UALSU9H0305000](#) [UALSU9HF060300](#) [UALSU9VD070100](#) [36-00037](#) [5701610000](#)  
[UALW21HS072450](#) [UALSU9VD070400](#) [UALSU9HF050500](#) [UALSU9H0208000](#) [UALSCF25081300](#) [UAL24VK06450CH](#)  
[PLT10HH501100PNB](#) [PLT10HH401100PNB](#) [PLT10HH1026R0PNB](#) [PE-67531](#) [EXC-X4CH120X](#) [TLH10UB 113 0R5](#) [2752041447](#)  
[2752045447](#) [CMS3-11-R](#) [7351V](#) [CMF16-153131](#) [744252510](#) [T8116NLT](#) [FE2X10-4-2NL](#) [744253200](#) [744253101](#) [744252220](#) [TX8111NLT](#)  
[UAL30VR3500470](#) [CTX01-19077-R](#) [T8003NLT](#) [CTX01-13663](#)