



SQH3010S SERIES ~ Low Profile SMD Power Inductors

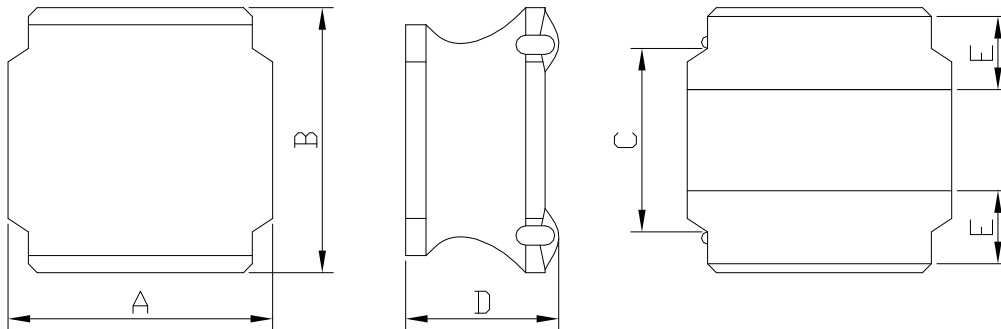


PART NUMBERING SYSTEM

SQH	3010S	—	6R8M	—	LF
TYPE	DIMENSIONS		INDUCTANCE		LEAD FREE

SHAPES AND DIMENSIONS

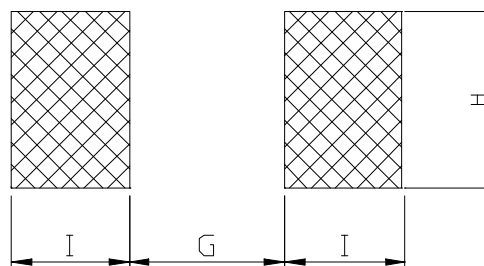
UNIT : mm



A=3.1 Max. B=3.1 Max. C=1.9±0.2 D=1.0 Max. E=0.9±0.2

RECOMMENDED PATTERNS

UNIT : mm



G= 1.40 H= 2.70 I = 0.80

FEATURES

- * Low profile and small inductors (3.1mm Max. square and 1.0mm Max. height)
- * Magnetically shielded construction and high current
- * Ideal for DC-DC converter choke coil for portable equipments (DVDs , DSC , Cellular , PDAs)
- * RoHS compliant option with lead free



SQH3010S SERIES ~ Low Profile SMD Power Inductors



SPECIFICATION TABLE

PART NUMBER	INDUCTANCE (μ H)	DCR (Ω) (Max.)	Isat (mA) (Max.)	Irms (mA) (Max.)	TEST FREQ. (f)
SQH3010S-1R0N-LF	1.0 \pm 30%	0.085	1300	1400	100KHz
SQH3010S-1R5N-LF	1.5 \pm 30%	0.104	1200	1300	100KHz
SQH3010S-2R2M-LF	2.2 \pm 20%	0.124	1100	1100	100KHz
SQH3010S-3R3M-LF	3.3 \pm 20%	0.182	870	940	100KHz
SQH3010S-4R7M-LF	4.7 \pm 20%	0.247	750	780	100KHz
SQH3010S-6R8M-LF	6.8 \pm 20%	0.390	610	630	100KHz
SQH3010S-100M-LF	10 \pm 20%	0.585	500	510	100KHz
SQH3010S-150M-LF	15 \pm 20%	0.962	400	400	100KHz
SQH3010S-220M-LF	22 \pm 20%	1.339	350	350	100KHz
SQH3010S-330M-LF	33 \pm 20%	2.015	260	275	100KHz
SQH3010S-470M-LF	47 \pm 20%	2.665	220	235	100KHz

- Isat : DC current at which the inductance drops 30%(typ) from its value without current.
- Irms : The temperature rise current value is the DC current value having temperature increase up 40°C temperature rise from 25°C ambient.
- Operating temperature range -40°C to +105°C , Electrical specifications at 25°C .

X-ON Electronics

Largest Supplier of Electrical and Electronic Components

Click to view similar products for [Fixed Inductors](#) category:

Click to view products by [Coilmaster](#) manufacturer:

Other Similar products are found below :

[CR32NP-151KC](#) [CR32NP-180KC](#) [CR32NP-181KC](#) [CR32NP-1R5MC](#) [CR32NP-390KC](#) [CR32NP-3R9MC](#) [CR32NP-680KC](#) [CR32NP-820KC](#) [CR32NP-8R2MC](#) [CR43NP-390KC](#) [CR43NP-560KC](#) [CR43NP-680KC](#) [CR54NP-181KC](#) [CR54NP-470LC](#) [CR54NP-820KC](#) [CR54NP-8R5MC](#) [70F224AI](#) [MGDQ4-00004-P](#) [MHL1ECTTP18NJ](#) [MHQ1005P10NJ](#) [MHQ1005P1N0S](#) [MHQ1005P2N4S](#) [MHQ1005P3N6S](#) [MHQ1005P5N1S](#) [MHQ1005P8N2J](#) [PE-51506NL](#) [PE-53601NL](#) [PE-53602NL](#) [PE-53630NL](#) [PE-53824SNLT](#) [PE-92100NL](#) [PG0434.801NLT](#) [PG0936.113NLT](#) [9220-20](#) [9310-16](#) [PM06-2N7](#) [PM06-39NJ](#) [A01TK](#) [1206CS-471XJ](#) [HC2LP-R47-R](#) [HC2-R47-R](#) [HC3-2R2-R](#) [HCF1305-3R3-R](#) [1206CS-151XG](#) [RCH664NP-140L](#) [RCH664NP-4R7M](#) [RCH8011NP-221L](#) [RCP1317NP-332L](#) [RCP1317NP-391L](#) [RCR1010NP-470M](#)