



SQH3010S SERIES ~ Low Profile SMD Power Inductors

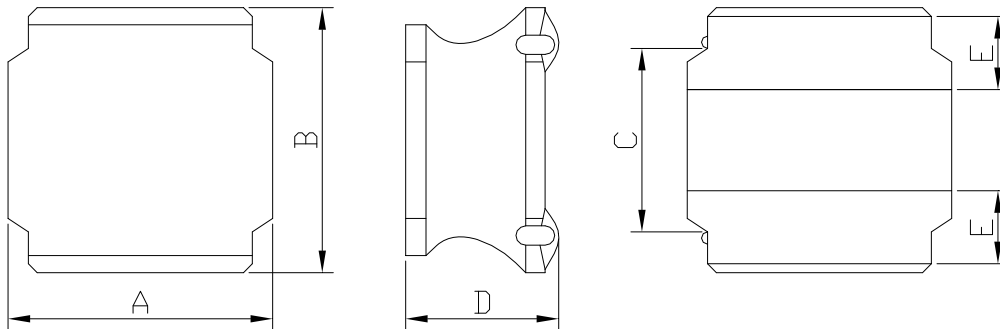


PART NUMBERING SYSTEM

| | | | | | |
|------------|--------------|---|-------------|---|-----------|
| SQH | 3010S | — | 6R8M | — | LF |
| TYPE | DIMENSIONS | | INDUCTANCE | | LEAD FREE |

SHAPES AND DIMENSIONS

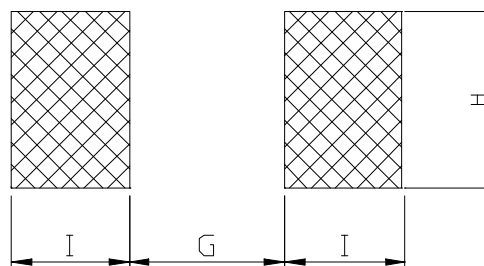
UNIT : mm



A=3.1 Max. B=3.1 Max. C=1.9±0.2 D=1.0 Max. E=0.9±0.2

RECOMMENDED PATTERNS

UNIT : mm



G= 1.40 H= 2.70 I = 0.80

FEATURES

- * Low profile and small inductors (3.1mm Max. square and 1.0mm Max. height)
- * Magnetically shielded construction and high current
- * Ideal for DC-DC converter choke coil for portable equipments (DVDs , DSC , Cellular , PDAs)
- * RoHS compliant option with lead free



SQH3010S SERIES ~ Low Profile SMD Power Inductors



SPECIFICATION TABLE

| PART NUMBER | INDUCTANCE (μ H) | DCR (Ω) (Max.) | Isat (mA) (Max.) | Irms (mA) (Max.) | TEST FREQ. (f) |
|------------------|--------------------------|----------------------------|---------------------|---------------------|---------------------|
| SQH3010S-1R0N-LF | 1.0 \pm 30% | 0.085 | 1300 | 1400 | 100KHz |
| SQH3010S-1R5N-LF | 1.5 \pm 30% | 0.104 | 1200 | 1300 | 100KHz |
| SQH3010S-2R2M-LF | 2.2 \pm 20% | 0.124 | 1100 | 1100 | 100KHz |
| SQH3010S-3R3M-LF | 3.3 \pm 20% | 0.182 | 870 | 940 | 100KHz |
| SQH3010S-4R7M-LF | 4.7 \pm 20% | 0.247 | 750 | 780 | 100KHz |
| SQH3010S-6R8M-LF | 6.8 \pm 20% | 0.390 | 610 | 630 | 100KHz |
| SQH3010S-100M-LF | 10 \pm 20% | 0.585 | 500 | 510 | 100KHz |
| SQH3010S-150M-LF | 15 \pm 20% | 0.962 | 400 | 400 | 100KHz |
| SQH3010S-220M-LF | 22 \pm 20% | 1.339 | 350 | 350 | 100KHz |
| SQH3010S-330M-LF | 33 \pm 20% | 2.015 | 260 | 275 | 100KHz |
| SQH3010S-470M-LF | 47 \pm 20% | 2.665 | 220 | 235 | 100KHz |

- Isat : DC current at which the inductance drops 30%(typ) from its value without current.
- Iirms : The temperature rise current value is the DC current value having temperature increase up 40°C temperature rise from 25°C ambient.
- Operating temperature range -40°C to +105°C , Electrical specifications at 25°C .

X-ON Electronics

Largest Supplier of Electrical and Electronic Components

Click to view similar products for [Fixed Inductors](#) category:

Click to view products by [Coilmaster](#) manufacturer:

Other Similar products are found below :

[CR32NP-151KC](#) [CR32NP-180KC](#) [CR32NP-181KC](#) [CR32NP-1R5MC](#) [CR32NP-390KC](#) [CR32NP-3R9MC](#) [CR32NP-680KC](#) [CR32NP-820KC](#) [CR32NP-8R2MC](#) [CR43NP-390KC](#) [CR43NP-560KC](#) [CR43NP-680KC](#) [CR54NP-181KC](#) [CR54NP-470LC](#) [CR54NP-820KC](#) [CR54NP-8R5MC](#) [70F224AI](#) [MGDQ4-00004-P](#) [MHL1ECTTP18NJ](#) [MHQ1005P10NJ](#) [MHQ1005P1N0S](#) [MHQ1005P2N4S](#) [MHQ1005P3N6S](#) [MHQ1005P5N1S](#) [MHQ1005P8N2J](#) [PE-51506NL](#) [PE-53601NL](#) [PE-53602NL](#) [PE-53630NL](#) [PE-53824SNLT](#) [PE-92100NL](#) [PG0434.801NLT](#) [PG0936.113NLT](#) [9220-20](#) [9310-16](#) [PM06-2N7](#) [PM06-39NJ](#) [A01TK](#) [1206CS-471XJ](#) [HC2LP-R47-R](#) [HC2-R47-R](#) [HC3-2R2-R](#) [HCF1305-3R3-R](#) [1206CS-151XG](#) [RCH664NP-140L](#) [RCH664NP-4R7M](#) [RCH8011NP-221L](#) [RCP1317NP-332L](#) [RCP1317NP-391L](#) [RCR1010NP-470M](#)