



## SQH3010S SERIES ~ Low Profile SMD Power Inductors

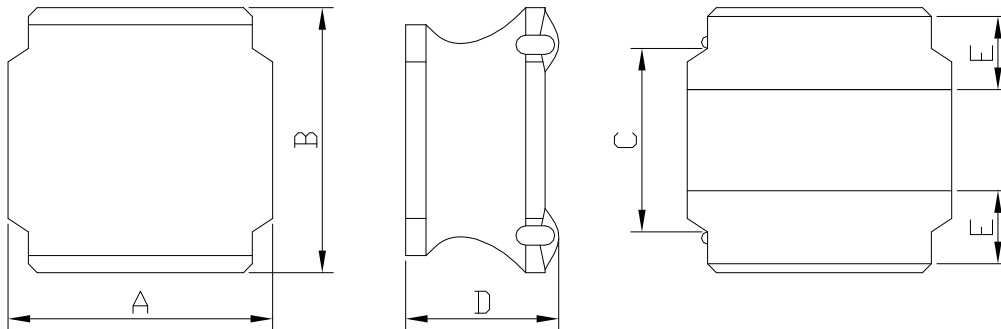


### PART NUMBERING SYSTEM

|            |              |   |             |   |           |
|------------|--------------|---|-------------|---|-----------|
| <b>SQH</b> | <b>3010S</b> | — | <b>6R8M</b> | — | <b>LF</b> |
| TYPE       | DIMENSIONS   |   | INDUCTANCE  |   | LEAD FREE |

### SHAPES AND DIMENSIONS

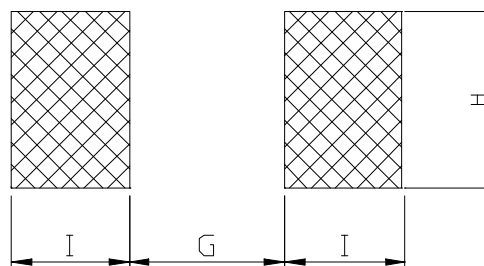
UNIT : mm



A=3.1 Max. B=3.1 Max. C=1.9±0.2 D=1.0 Max. E=0.9±0.2

### RECOMMENDED PATTERNS

UNIT : mm



G= 1.40 H= 2.70 I = 0.80

### FEATURES

- \* Low profile and small inductors ( 3.1mm Max. square and 1.0mm Max. height )
- \* Magnetically shielded construction and high current
- \* Ideal for DC-DC converter choke coil for portable equipments ( DVDs , DSC , Cellular , PDAs )
- \* RoHS compliant option with lead free



## SQH3010S SERIES ~ Low Profile SMD Power Inductors



### SPECIFICATION TABLE

| PART NUMBER      | INDUCTANCE<br>( $\mu$ H) | DCR ( $\Omega$ )<br>(Max.) | Isat (mA)<br>(Max.) | Irms (mA)<br>(Max.) | TEST FREQ.<br>( f ) |
|------------------|--------------------------|----------------------------|---------------------|---------------------|---------------------|
| SQH3010S-1R0N-LF | 1.0 $\pm$ 30%            | 0.085                      | 1300                | 1400                | 100KHz              |
| SQH3010S-1R5N-LF | 1.5 $\pm$ 30%            | 0.104                      | 1200                | 1300                | 100KHz              |
| SQH3010S-2R2M-LF | 2.2 $\pm$ 20%            | 0.124                      | 1100                | 1100                | 100KHz              |
| SQH3010S-3R3M-LF | 3.3 $\pm$ 20%            | 0.182                      | 870                 | 940                 | 100KHz              |
| SQH3010S-4R7M-LF | 4.7 $\pm$ 20%            | 0.247                      | 750                 | 780                 | 100KHz              |
| SQH3010S-6R8M-LF | 6.8 $\pm$ 20%            | 0.390                      | 610                 | 630                 | 100KHz              |
| SQH3010S-100M-LF | 10 $\pm$ 20%             | 0.585                      | 500                 | 510                 | 100KHz              |
| SQH3010S-150M-LF | 15 $\pm$ 20%             | 0.962                      | 400                 | 400                 | 100KHz              |
| SQH3010S-220M-LF | 22 $\pm$ 20%             | 1.339                      | 350                 | 350                 | 100KHz              |
| SQH3010S-330M-LF | 33 $\pm$ 20%             | 2.015                      | 260                 | 275                 | 100KHz              |
| SQH3010S-470M-LF | 47 $\pm$ 20%             | 2.665                      | 220                 | 235                 | 100KHz              |

- Isat : DC current at which the inductance drops 30%(typ) from its value without current.
- Iirms : The temperature rise current value is the DC current value having temperature increase up 40°C temperature rise from 25°C ambient.
- Operating temperature range -40°C to +105°C , Electrical specifications at 25°C .

## X-ON Electronics

Largest Supplier of Electrical and Electronic Components

*Click to view similar products for [Fixed Inductors](#) category:*

*Click to view products by [Coilmaster](#) manufacturer:*

Other Similar products are found below :

[CR32NP-151KC](#) [CR32NP-180KC](#) [CR32NP-181KC](#) [CR32NP-1R5MC](#) [CR32NP-390KC](#) [CR32NP-3R9MC](#) [CR32NP-680KC](#) [CR32NP-820KC](#) [CR32NP-8R2MC](#) [CR43NP-390KC](#) [CR43NP-560KC](#) [CR43NP-680KC](#) [CR54NP-181KC](#) [CR54NP-470LC](#) [CR54NP-820KC](#) [CR54NP-8R5MC](#) [70F224AI](#) [MGDQ4-00004-P](#) [MHL1ECTTP18NJ](#) [MHQ1005P10NJ](#) [MHQ1005P1N0S](#) [MHQ1005P2N4S](#) [MHQ1005P3N6S](#) [MHQ1005P5N1S](#) [MHQ1005P8N2J](#) [PE-51506NL](#) [PE-53601NL](#) [PE-53602NL](#) [PE-53630NL](#) [PE-53824SNLT](#) [PE-92100NL](#) [PG0434.801NLT](#) [PG0936.113NLT](#) [9220-20](#) [9310-16](#) [PM06-2N7](#) [PM06-39NJ](#) [A01TK](#) [1206CS-471XJ](#) [HC2LP-R47-R](#) [HC2-R47-R](#) [HC3-2R2-R](#) [HCF1305-3R3-R](#) [1206CS-151XG](#) [RCH664NP-140L](#) [RCH664NP-4R7M](#) [RCH8011NP-221L](#) [RCP1317NP-332L](#) [RCP1317NP-391L](#) [RCR1010NP-470M](#)