



## SQH3012S SERIES ~ Low Profile SMD Power Inductors

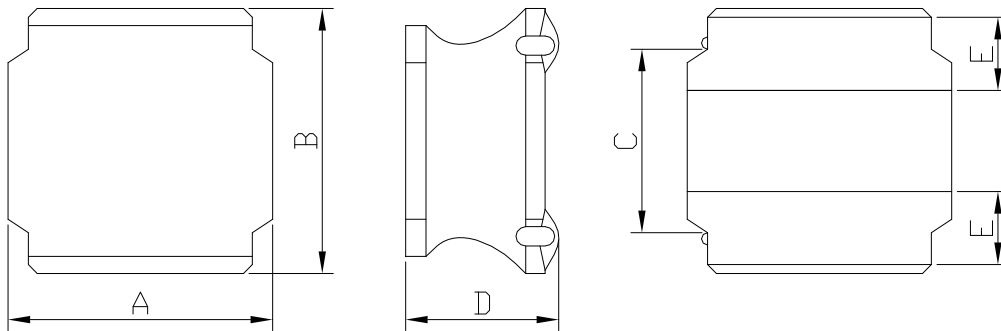


### PART NUMBERING SYSTEM

<u>SQH</u>	<u>3012S</u>	—	<u>220M</u>	—	<u>LF</u>
TYPE	DIMENSIONS		INDUCTANCE		LEAD FREE

### SHAPES AND DIMENSIONS

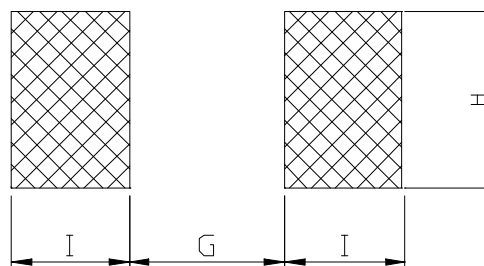
UNIT : mm



A=3.1 Max. B=3.1 Max. C=1.9±0.2 D=1.2 Max. E=0.9±0.2

### RECOMMENDED PATTERNS

UNIT : mm



G= 1.40 H= 2.70 I = 0.80

### FEATURES

- \* Low profile and small inductors ( 3.1mm Max. square and 1.2mm Max. height )
- \* Magnetically shielded construction and high current
- \* Ideal for DC-DC converter choke coil for portable equipments ( DVDs , DSC , Cellular , PDAs )
- \* RoHS compliant option with lead free

## SQH3012S SERIES ~ Low Profile SMD Power Inductors



### SPECIFICATION TABLE

PART NUMBER	INDUCTANCE ( $\mu$ H)	DCR ( $\Omega$ ) (Max.)	Isat (mA) (Max.)	Irms (mA) (Max.)	TEST FREQ. ( f )
SQH3012S-1R0N-LF	1.0 $\pm$ 30%	0.060	1500	1490	100KHz
SQH3012S-1R5N-LF	1.5 $\pm$ 30%	0.072	1360	1400	100KHz
SQH3012S-2R2M-LF	2.2 $\pm$ 20%	0.096	1100	1200	100KHz
SQH3012S-3R3M-LF	3.3 $\pm$ 20%	0.120	910	1050	100KHz
SQH3012S-4R7M-LF	4.7 $\pm$ 20%	0.156	770	980	100KHz
SQH3012S-6R8M-LF	6.8 $\pm$ 20%	0.228	670	740	100KHz
SQH3012S-100M-LF	10 $\pm$ 20%	0.348	540	630	100KHz
SQH3012S-150M-LF	15 $\pm$ 20%	0.540	440	485	100KHz
SQH3012S-220M-LF	22 $\pm$ 20%	0.756	375	420	100KHz
SQH3012S-330M-LF	33 $\pm$ 20%	1.236	310	330	100KHz
SQH3012S-470M-LF	47 $\pm$ 20%	1.740	250	280	100KHz

- Isat : DC current at which the inductance drops 30%(typ) from its value without current.
- Irms : The temperature rise current value is the DC current value having temperature increase up 40°C temperature rise from 25°C ambient.
- Operating temperature range -40°C to +105°C , Electrical specifications at 25°C .

## X-ON Electronics

Largest Supplier of Electrical and Electronic Components

*Click to view similar products for [Fixed Inductors](#) category:*

*Click to view products by [Coilmaster](#) manufacturer:*

Other Similar products are found below :

[CR32NP-151KC](#) [CR32NP-180KC](#) [CR32NP-181KC](#) [CR32NP-1R5MC](#) [CR32NP-390KC](#) [CR32NP-3R9MC](#) [CR32NP-680KC](#) [CR32NP-820KC](#) [CR32NP-8R2MC](#) [CR43NP-390KC](#) [CR43NP-560KC](#) [CR43NP-680KC](#) [CR54NP-181KC](#) [CR54NP-470LC](#) [CR54NP-820KC](#) [CR54NP-8R5MC](#) [70F224AI](#) [MGDQ4-00004-P](#) [MHL1ECTTP18NJ](#) [MHQ1005P10NJ](#) [MHQ1005P1N0S](#) [MHQ1005P2N4S](#) [MHQ1005P3N6S](#) [MHQ1005P5N1S](#) [MHQ1005P8N2J](#) [PE-51506NL](#) [PE-53601NL](#) [PE-53602NL](#) [PE-53630NL](#) [PE-53824SNLT](#) [PE-92100NL](#) [PG0434.801NLT](#) [PG0936.113NLT](#) [9220-20](#) [9310-16](#) [PM06-2N7](#) [PM06-39NJ](#) [A01TK](#) [1206CS-471XJ](#) [HC2LP-R47-R](#) [HC2-R47-R](#) [HC3-2R2-R](#) [HCF1305-3R3-R](#) [1206CS-151XG](#) [RCH664NP-140L](#) [RCH664NP-4R7M](#) [RCH8011NP-221L](#) [RCP1317NP-332L](#) [RCP1317NP-391L](#) [RCR1010NP-470M](#)