



SQH3015S SERIES ~ Low Profile SMD Power Inductors

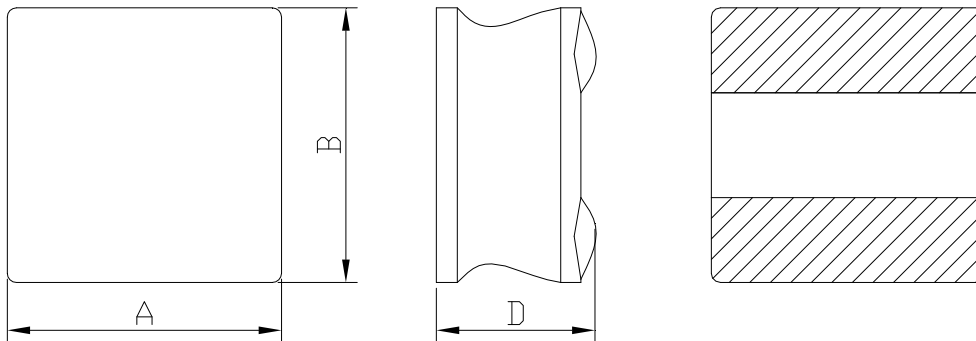


PART NUMBERING SYSTEM

SQH	3015S	—	220M	—	LF
TYPE	DIMENSIONS		INDUCTANCE		LEAD FREE

SHAPES AND DIMENSIONS

UNIT : mm



A=3.1 Max. B=3.1 Max. C=1.9±0.2 D=1.5 Max. E=0.9±0.2

RECOMMENDED PATTERNS

UNIT : mm



G= 1.40 H= 2.70 I = 0.80

FEATURES

- * Low profile and small inductors (3.1mm Max. square and 1.5mm Max. height)
- * Magnetically shielded construction and high current
- * Ideal for DC-DC converter choke coil for portable equipments (DVDs , DSC , Cellular , PDAs)
- * RoHS compliant option with lead free



SQH3015S SERIES ~ Low Profile SMD Power Inductors



SPECIFICATION TABLE

PART NUMBER	INDUCTANCE (μ H)	DCR (Ω) (Max.)	Isat(A) (Max.)	Irms(A) (Max.)	TEST FREQ. (f)
SQH3015S-1R0N-LF	1.0 \pm 30%	0.036	2.10	2.10	100KHz/1V
SQH3015S-1R5N-LF	1.5 \pm 30%	0.048	1.80	1.82	100KHz/1V
SQH3015S-2R2M-LF	2.2 \pm 20%	0.072	1.48	1.50	100KHz/1V
SQH3015S-3R3M-LF	3.3 \pm 20%	0.096	1.21	1.23	100KHz/1V
SQH3015S-4R7M-LF	4.7 \pm 20%	0.144	1.02	1.04	100KHz/1V
SQH3015S-6R8M-LF	6.8 \pm 20%	0.192	0.87	0.88	100KHz/1V
SQH3015S-100M-LF	10.0 \pm 20%	0.276	0.70	0.71	100KHz/1V
SQH3015S-150M-LF	15.0 \pm 20%	0.432	0.56	0.56	100KHz/1V
SQH3015S-220M-LF	22.0 \pm 20%	0.624	0.47	0.47	100KHz/1V
SQH3015S-330M-LF	33.0 \pm 20%	1.008	0.39	0.37	100KHz/1V
SQH3015S-470M-LF	47.0 \pm 20%	1.608	0.32	0.30	100KHz/1V

- Isat : DC current at which the inductance drops 30%(typ) from its value without current.
- Irms : The temperature rise current value is the DC current value having temperature increase up 40°C temperature rise from 25°C ambient.
- Operating temperature range -40°C to +105°C , Electrical specifications at 25°C .

X-ON Electronics

Largest Supplier of Electrical and Electronic Components

Click to view similar products for [Fixed Inductors](#) category:

Click to view products by [Coilmaster](#) manufacturer:

Other Similar products are found below :

[CR54NP-470LC](#) [70F224AI](#) [MGDQ4-00004-P](#) [MHL1ECTTP18NJ](#) [MHQ1005P10NJ](#) [MHQ1005P1N0S](#) [MHQ1005P2N4S](#) [MHQ1005P3N6S](#)
[MHQ1005P5N1S](#) [MHQ1005P8N2J](#) [PE-53601NL](#) [PE-53602NL](#) [PE-53630NL](#) [PG0936.113NLT](#) [9220-20](#) [9310-16](#) [PM06-2N7](#) [PM06-39NJ](#)
[A01TK](#) [1206CS-471XJ](#) [HC2-R47-R](#) [HC8-1R2-R](#) [HCF1305-3R3-R](#) [1206CS-151XG](#) [RCH664NP-140L](#) [RCH664NP-4R7M](#) [RCH8011NP-](#)
[221L](#) [RCP1317NP-332L](#) [RCP1317NP-391L](#) [RCR1010NP-470M](#) [RCR110DNP-331L](#) [DH2280-4R7M](#) [DS1608C-106](#) [ASPI-4020HI-R10M-T](#)
[B10TJ](#) [B82498B3101J000](#) [ELJ-RE27NJF2](#) [1812CS-153XJ](#) [1812CS-183XJ](#) [1812CS-223XJ](#) [1812LS-104XJ](#) [1812LS-105XJ](#) [1812LS-124XJ](#)
[1812LS-154XJ](#) [1812LS-223XJ](#) [1812LS-224XJ](#) [1812LS-563XJ](#) [1812LS-683XJ](#) [1812LS-824XJ](#) [NIN-FA4R7JTR220F](#)