



SQH4018S SERIES ~ Low Profile SMD Power Inductors

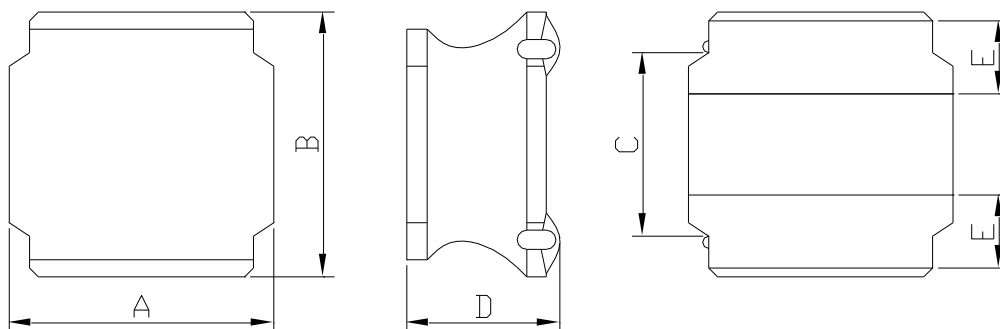


PART NUMBERING SYSTEM

SQH	4018S	—	3R3M	—	LF
TYPE	DIMENSIONS		INDUCTANCE		LEAD FREE

SHAPES AND DIMENSIONS

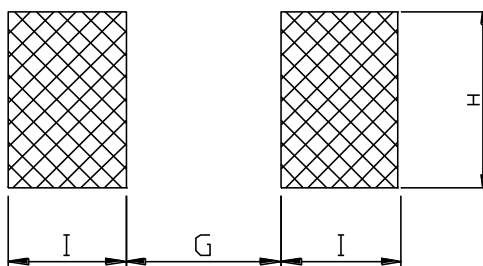
UNIT : mm



A=4.2 Max. B=4.2 Max. C=2.5 Ref. D=1.8 Max. E=1.1±0.2

RECOMMENDED PATTERNS

UNIT : mm



G= 1.40 H= 3.60 I = 1.20

FEATURES

- * Low profile and small inductors (4.2mm Max. square and 1.8mm Max. height)
- * Magnetically shielded construction and high current
- * Ideal for DC-DC converter choke coil for portable equipments (DVDs , DSC , Cellular , PDAs)
- * RoHS compliant option with lead free

SQH4018S SERIES ~ Low Profile SMD Power Inductors



SPECIFICATION TABLE

PART NUMBER	INDUCTANCE (μ H)	DCR (Ω) (Max.)	Isat (A) (Max.)	Irms (A) (Max.)	TEST FREQ. (f)
SQH4018S-1R0N-LF	1.0 \pm 30%	0.036	4.00	1.83	100KHz
SQH4018S-2R2M-LF	2.2 \pm 20%	0.072	2.70	1.44	100KHz
SQH4018S-3R3M-LF	3.3 \pm 20%	0.084	2.00	1.23	100KHz
SQH4018S-4R7M-LF	4.7 \pm 20%	0.108	1.70	1.20	100KHz
SQH4018S-6R8M-LF	6.8 \pm 20%	0.132	1.45	1.06	100KHz
SQH4018S-100M-LF	10 \pm 20%	0.216	1.20	0.84	100KHz
SQH4018S-150M-LF	15 \pm 20%	0.300	0.94	0.65	100KHz
SQH4018S-220M-LF	22 \pm 20%	0.432	0.80	0.59	100KHz
SQH4018S-330M-LF	33 \pm 20%	0.636	0.65	0.49	100KHz
SQH4018S-470M-LF	47 \pm 20%	0.780	0.57	0.42	100KHz
SQH4018S-680M-LF	68 \pm 20%	1.200	0.47	0.32	100KHz
SQH4018S-101M-LF	100 \pm 20%	1.800	0.40	0.27	100KHz
SQH4018S-151M-LF	150 \pm 20%	3.000	0.31	0.22	100KHz
SQH4018S-221M-LF	220 \pm 20%	4.800	0.27	0.17	100KHz

- Isat : DC current at which the inductance drops 30%(typ) from its value without current.
- Irms : The temperature rise current value is the DC current value having temperature increase up 40°C temperature rise from 25°C ambient.
- Operating temperature range -40°C to +105°C , Electrical specifications at 25°C .

X-ON Electronics

Largest Supplier of Electrical and Electronic Components

Click to view similar products for [Fixed Inductors](#) category:

Click to view products by [Coilmaster](#) manufacturer:

Other Similar products are found below :

[CR43NP-680KC](#) [CR54NP-470LC](#) [CR54NP-820KC](#) [CR54NP-8R5MC](#) [70F224AI](#) [MGDQ4-00004-P](#) [MHL1ECTTP18NJ](#) [MHQ1005P10NJ](#)
[MHQ1005P1N0S](#) [MHQ1005P2N4S](#) [MHQ1005P3N6S](#) [MHQ1005P5N1S](#) [MHQ1005P8N2J](#) [PE-51506NL](#) [PE-53601NL](#) [PE-53602NL](#) [PE-](#)
[53630NL](#) [PE-53824SNLT](#) [PE-92100NL](#) [PG0434.801NLT](#) [PG0936.113NLT](#) [9220-20](#) [9310-16](#) [PM06-2N7](#) [PM06-39NJ](#) [A01TK](#) [1206CS-](#)
[471XJ](#) [HC2LP-R47-R](#) [HC2-R47-R](#) [HC3-2R2-R](#) [HC3-R50-R](#) [HC8-1R2-R](#) [HCF1305-3R3-R](#) [1206CS-151XG](#) [RCH664NP-140L](#) [RCH664NP-](#)
[4R7M](#) [RCH8011NP-221L](#) [RCP1317NP-332L](#) [RCP1317NP-391L](#) [RCR1010NP-470M](#) [RCR110DNP-331L](#) [DH2280-4R7M](#) [DS1608C-106](#)
[ASPI-4020HI-R10M-T](#) [B10TJ](#) [B82498B3101J000](#) [ELJ-RE27NJF2](#) [1812CS-153XJ](#) [1812CS-183XJ](#) [1812CS-223XJ](#)