



SQH6012S SERIES ~ Low Profile SMD Power Inductors

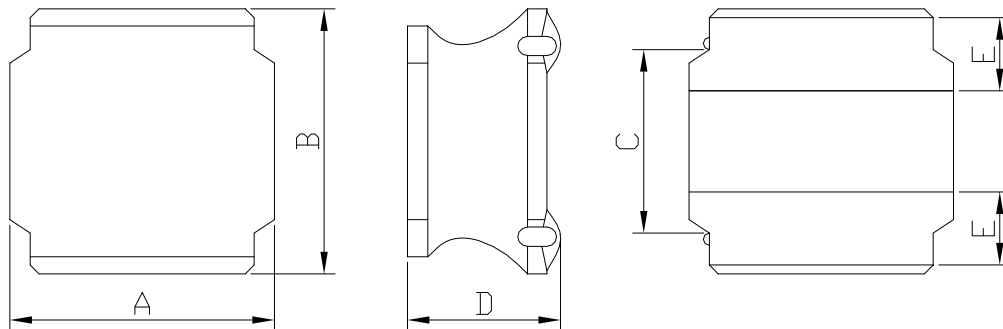


PART NUMBERING SYSTEM

| | | | | | |
|------------|--------------|---|-------------|---|-----------|
| SQH | 6012S | — | 150M | — | LF |
| TYPE | DIMENSIONS | | INDUCTANCE | | LEAD FREE |

SHAPES AND DIMENSIONS

UNIT : mm



A=6.2 Max. B=6.2 Max. C=4.0 Ref. D=1.2 Max. E=1.35±0.2

RECOMMENDED PATTERNS

UNIT : mm



G= 3.10 H= 5.70 I = 1.60

FEATURES

- * Low profile and small inductors (6.2mm Max. square and 1.2mm Max. height)
- * Magnetically shielded construction and high current
- * Ideal for DC-DC converter choke coil for portable equipments (DVDs , DSC , Cellular , PDAs)
- * RoHS compliant option with lead free

SQH6012S SERIES ~ Low Profile SMD Power Inductors



SPECIFICATION TABLE

| PART NUMBER | INDUCTANCE (μ H) | DCR (Ω) (Max.) | Isat (A) (Max.) | Irms (A) (Max.) | TEST FREQ. (f) |
|------------------|--------------------------|----------------------------|--------------------|--------------------|---------------------|
| SQH6012S-2R5N-LF | 2.5 \pm 30% | 0.108 | 2.10 | 1.73 | 100KHz |
| SQH6012S-4R0N-LF | 4.0 \pm 30% | 0.126 | 1.80 | 1.57 | 100KHz |
| SQH6012S-5R3M-LF | 5.3 \pm 20% | 0.132 | 1.50 | 1.40 | 100KHz |
| SQH6012S-6R8M-LF | 6.8 \pm 20% | 0.198 | 1.30 | 1.18 | 100KHz |
| SQH6012S-100M-LF | 10 \pm 20% | 0.282 | 1.00 | 1.00 | 100KHz |
| SQH6012S-150M-LF | 15 \pm 20% | 0.396 | 0.80 | 0.79 | 100KHz |
| SQH6012S-220M-LF | 22 \pm 20% | 0.636 | 0.76 | 0.63 | 100KHz |
| SQH6012S-330M-LF | 33 \pm 20% | 0.840 | 0.59 | 0.53 | 100KHz |
| SQH6012S-470M-LF | 47 \pm 20% | 1.260 | 0.52 | 0.46 | 100KHz |
| SQH6012S-680M-LF | 68 \pm 20% | 1.620 | 0.44 | 0.41 | 100KHz |
| SQH6012S-101M-LF | 100 \pm 20% | 2.616 | 0.35 | 0.32 | 100KHz |

- Isat : DC current at which the inductance drops 30%(typ) from its value without current.
- Irms : The temperature rise current value is the DC current value having temperature increase up 40°C temperature rise from 25°C ambient.
- Operating temperature range -40°C to +105°C , Electrical specifications at 25°C .

X-ON Electronics

Largest Supplier of Electrical and Electronic Components

Click to view similar products for [Fixed Inductors](#) category:

Click to view products by [Coilmaster](#) manufacturer:

Other Similar products are found below :

[CR32NP-151KC](#) [CR32NP-180KC](#) [CR32NP-181KC](#) [CR32NP-1R5MC](#) [CR32NP-390KC](#) [CR32NP-3R9MC](#) [CR32NP-680KC](#) [CR32NP-820KC](#) [CR32NP-8R2MC](#) [CR43NP-390KC](#) [CR43NP-560KC](#) [CR43NP-680KC](#) [CR54NP-181KC](#) [CR54NP-470LC](#) [CR54NP-820KC](#) [CR54NP-8R5MC](#) [70F224AI](#) [MGDQ4-00004-P](#) [MHL1ECTTP18NJ](#) [MHQ1005P10NJ](#) [MHQ1005P1N0S](#) [MHQ1005P2N4S](#) [MHQ1005P3N6S](#) [MHQ1005P5N1S](#) [MHQ1005P8N2J](#) [PE-51506NL](#) [PE-53601NL](#) [PE-53602NL](#) [PE-53630NL](#) [PE-53824SNLT](#) [PE-92100NL](#) [PG0434.801NLT](#) [PG0936.113NLT](#) [9220-20](#) [9310-16](#) [PM06-2N7](#) [PM06-39NJ](#) [A01TK](#) [1206CS-471XJ](#) [HC2LP-R47-R](#) [HC2-R47-R](#) [HC3-2R2-R](#) [HCF1305-3R3-R](#) [1206CS-151XG](#) [RCH664NP-140L](#) [RCH664NP-4R7M](#) [RCH8011NP-221L](#) [RCP1317NP-332L](#) [RCP1317NP-391L](#) [RCR1010NP-470M](#)