

## SMD Semi-Shielded Power Inductors - SQH6045S SERIES



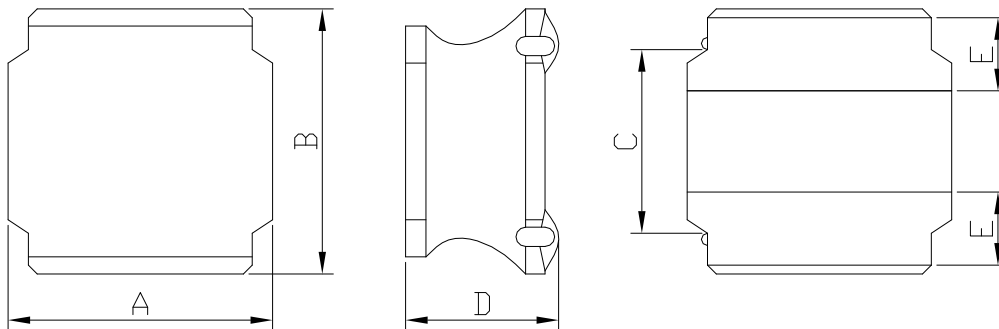
### PART NUMBERING SYSTEM

(AEC-Q200)

<b>SQH</b>	<b>6045S</b>	<b>—</b>	<b>220M</b>	<b>—</b>	<b>LF</b>
TYPE	DIMENSIONS		INDUCTANCE		LEAD FREE

### SHAPES AND DIMENSIONS

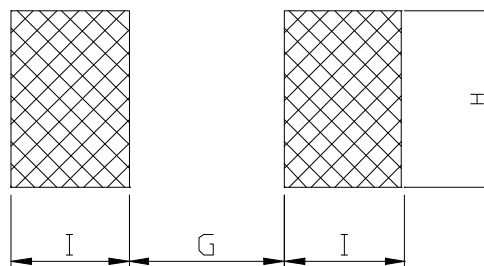
UNIT : mm



A=6.2 Max. B=6.2 Max. C=4.0 Ref. D=4.5 Max. E=1.35±0.2

### RECOMMENDED PATTERNS

UNIT : mm



G= 3.10 H= 5.70 I = 1.60

### FEATURES

- \* Low profile and small inductors ( 6.2mm Max. square and 4.5mm Max. height )
- \* Magnetically shielded construction and high current
- \* Ideal for DC-DC converter choke coil for portable equipments ( DVDs , DSC , Cellular , PDAs )
- \* RoHS compliant option with lead free

## SMD Semi-Shielded Power Inductors - SQH6045S SERIES



### SPECIFICATION TABLE

(AEC-Q200)

PART NUMBER	INDUCTANCE ( $\mu$ H)	DCR (m $\Omega$ ) (Typ.)	DCR (m $\Omega$ ) (Max.)	Isat (A) (Max.)	Irms (A) (Max.)
SQH6045S-1R0N-LF	1.0 $\pm$ 30%	10.0	13.0	10.0	6.50
SQH6045S-1R3N-LF	1.3 $\pm$ 30%	11.0	14.3	8.60	6.00
SQH6045S-1R8N-LF	1.8 $\pm$ 30%	12.0	15.6	7.20	5.30
SQH6045S-2R3M-LF	2.3 $\pm$ 30%	13.0	16.9	6.40	5.00
SQH6045S-3R0M-LF	3.0 $\pm$ 30%	17.0	22.1	5.80	4.80
SQH6045S-3R3M-LF	3.3 $\pm$ 30%	17.0	22.1	5.10	4.50
SQH6045S-4R5M-LF	4.5 $\pm$ 20%	23.0	29.9	4.80	3.80
SQH6045S-4R7M-LF	4.7 $\pm$ 20%	23.0	29.9	4.70	3.70
SQH6045S-6R3M-LF	6.3 $\pm$ 20%	26.0	33.8	3.90	3.60
SQH6045S-6R8M-LF	6.8 $\pm$ 20%	34.0	44.2	3.80	3.50
SQH6045S-8R2M-LF	8.2 $\pm$ 20%	41.0	53.3	3.20	3.10
SQH6045S-100M-LF	10 $\pm$ 20%	45.0	58.5	3.10	3.00
SQH6045S-150M-LF	15 $\pm$ 20%	80.0	104.0	2.50	2.50
SQH6045S-220M-LF	22 $\pm$ 20%	112	145.6	2.10	2.10
SQH6045S-330M-LF	33 $\pm$ 20%	170	221.0	1.70	1.70
SQH6045S-470M-LF	47 $\pm$ 20%	210	273.0	1.40	1.40
SQH6045S-560M-LF	56 $\pm$ 20%	270	351.0	1.20	1.20
SQH6045S-680M-LF	68 $\pm$ 20%	325	422.5	1.10	1.10
SQH6045S-101M-LF	100 $\pm$ 20%	460	598.0	0.90	0.90
SQH6045S-221M-LF	220 $\pm$ 20%	920	1100	0.85	0.59
SQH6045S-331M-LF	330 $\pm$ 20%	1540	2000	0.57	0.51
SQH6045S-102M-LF	1000 $\pm$ 20%	4450	5850	0.30	0.30

- Test frequency at 100KHz 1V .
- Isat : DC current at which the inductance drops 30%(typ) from its value without current.
- Irms : The temperature rise current value is the DC current value having temperature increase up 40°C temperature rise from 25°C ambient.
- Operating temperature range -40°C to +125°C , Electrical specifications at 25°C .

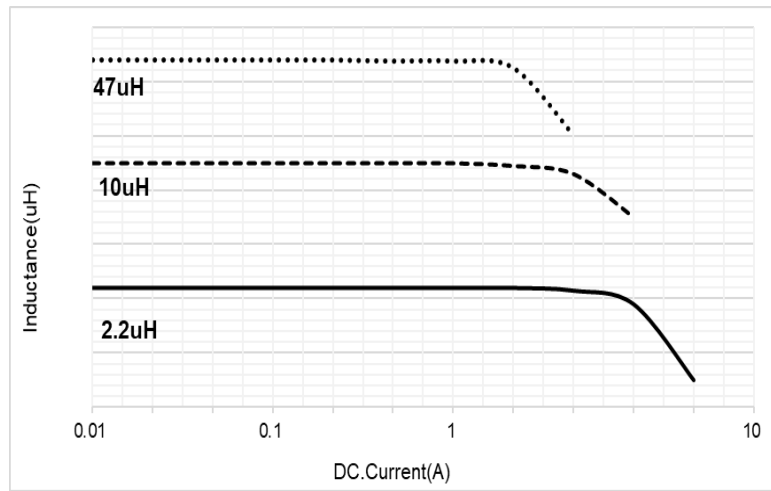
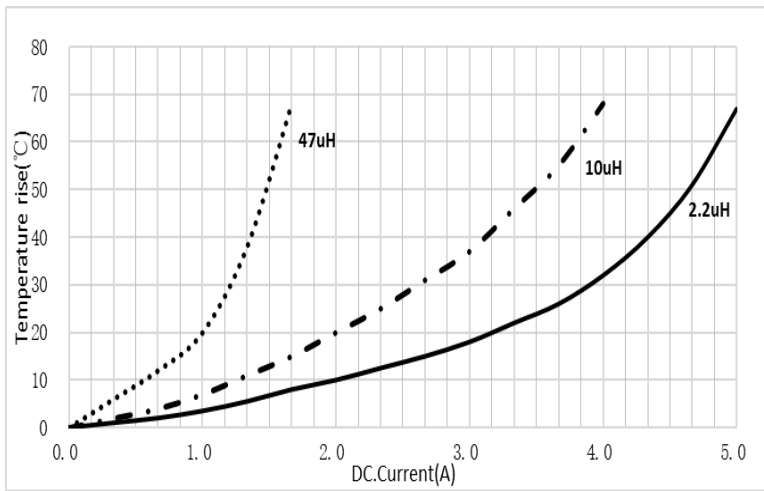


## SMD Semi-Shielded Power Inductors - SQH6045S SERIES



### SPECIFICATION TABLE

(AEC-Q200)



## X-ON Electronics

Largest Supplier of Electrical and Electronic Components

*Click to view similar products for [Fixed Inductors](#) category:*

*Click to view products by [Coilmaster](#) manufacturer:*

Other Similar products are found below :

[CR32NP-151KC](#) [CR32NP-180KC](#) [CR32NP-181KC](#) [CR32NP-1R5MC](#) [CR32NP-390KC](#) [CR32NP-3R9MC](#) [CR32NP-680KC](#) [CR32NP-820KC](#) [CR32NP-8R2MC](#) [CR43NP-390KC](#) [CR43NP-560KC](#) [CR43NP-680KC](#) [CR54NP-181KC](#) [CR54NP-470LC](#) [CR54NP-820KC](#) [CR54NP-8R5MC](#) [70F224AI](#) [MGDQ4-00004-P](#) [MHL1ECTTP18NJ](#) [MHQ1005P10NJ](#) [MHQ1005P1N0S](#) [MHQ1005P2N4S](#) [MHQ1005P3N6S](#) [MHQ1005P5N1S](#) [MHQ1005P8N2J](#) [PE-51506NL](#) [PE-53601NL](#) [PE-53602NL](#) [PE-53630NL](#) [PE-53824SNLT](#) [PE-92100NL](#) [PG0434.801NLT](#) [PG0936.113NLT](#) [9220-20](#) [9310-16](#) [PM06-2N7](#) [PM06-39NJ](#) [A01TK](#) [1206CS-471XJ](#) [HC2LP-R47-R](#) [HC2-R47-R](#) [HC3-2R2-R](#) [HCF1305-3R3-R](#) [1206CS-151XG](#) [RCH664NP-140L](#) [RCH664NP-4R7M](#) [RCH8011NP-221L](#) [RCP1317NP-332L](#) [RCP1317NP-391L](#) [RCR1010NP-470M](#)