

Semi-Shielded (半屏蔽式) SMD Power Inductors ~ SQH8040S

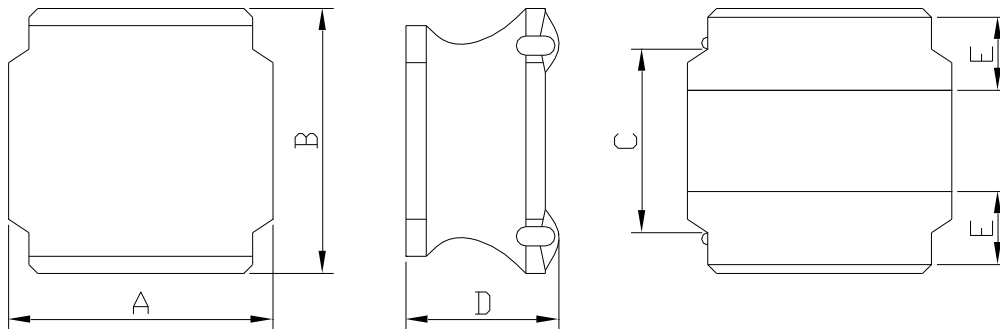


PART NUMBERING SYSTEM

| | | | | | |
|------------|--------------|---|-------------|---|-----------|
| SQH | 8040S | — | 6R8M | — | LF |
| TYPE | DIMENSIONS | | INDUCTANCE | | LEAD FREE |

SHAPES AND DIMENSIONS

UNIT : mm



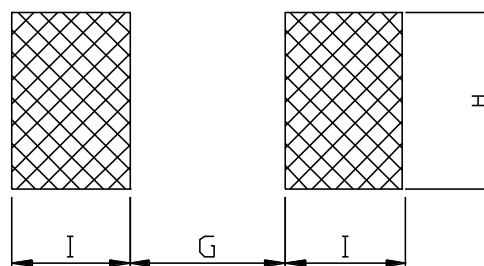
A=8.3 Max. B=8.3 Max. C=4.0 Ref. E=1.35±0.2

0R9~6R8 Type D=4.2 Max.

100~101 Type D=4.0 Max.

RECOMMENDED PATTERNS

UNIT : mm



G= 3.10 H= 5.70 I = 1.60

FEATURES

- * Low profile and small inductors (8.3mm Max. square and 4.2mm Max. height)
- * Magnetically shielded construction and high current
- * Ideal for DC-DC converter choke coil for portable equipments (DVDs , DSC , Cellular , PDAs)
- * RoHS compliant option with lead free

SQH8040S SERIES ~ Semi-Shielded SMD Power Inductors



SPECIFICATION TABLE

| PART NUMBER | INDUCTANCE (μ H) | DCR (m Ω) (Typ.) | DCR (m Ω) (Max.) | Isat (A) (Max.) | Irms (A) (Max.) |
|------------------|--------------------------|-----------------------------|-----------------------------|--------------------|--------------------|
| SQH8040S-0R5N-LF | 0.5 \pm 30% | 6.00 | 7.00 | 12.0 | 10.00 |
| SQH8040S-0R9N-LF | 0.9 \pm 30% | 7.00 | 9.10 | 10.0 | 7.90 |
| SQH8040S-1R4N-LF | 1.4 \pm 30% | 9.00 | 11.7 | 8.60 | 7.50 |
| SQH8040S-2R0N-LF | 2.0 \pm 30% | 12.0 | 15.6 | 7.00 | 6.80 |
| SQH8040S-2R2N-LF | 2.2 \pm 30% | 12.0 | 15.6 | 6.80 | 6.40 |
| SQH8040S-3R3N-LF | 3.3 \pm 30% | 15.0 | 19.5 | 6.40 | 5.80 |
| SQH8040S-3R6N-LF | 3.6 \pm 30% | 15.0 | 19.5 | 6.00 | 5.40 |
| SQH8040S-3R9N-LF | 3.9 \pm 30% | 15.0 | 19.5 | 5.60 | 5.00 |
| SQH8040S-4R7N-LF | 4.7 \pm 30% | 20.0 | 26.0 | 5.40 | 4.50 |
| SQH8040S-6R8N-LF | 6.8 \pm 30% | 25.0 | 32.5 | 4.40 | 4.00 |
| SQH8040S-8R6N-LF | 8.6 \pm 30% | 30.0 | 39.0 | 4.20 | 3.50 |
| SQH8040S-100M-LF | 10 \pm 20% | 31.0 | 40.3 | 3.80 | 3.30 |
| SQH8040S-150M-LF | 15 \pm 20% | 50.0 | 65.0 | 3.00 | 2.70 |
| SQH8040S-220M-LF | 22 \pm 20% | 66.0 | 85.8 | 2.40 | 2.20 |
| SQH8040S-330M-LF | 33 \pm 20% | 110 | 143 | 2.00 | 2.00 |
| SQH8040S-470M-LF | 47 \pm 20% | 150 | 195 | 1.60 | 1.60 |
| SQH8040S-680M-LF | 68 \pm 20% | 200 | 260 | 1.30 | 1.30 |
| SQH8040S-101M-LF | 100 \pm 20% | 310 | 403 | 1.00 | 1.00 |
| SQH8040S-121M-LF | 120 \pm 20% | 350 | 455 | 0.95 | 0.90 |
| SQH8040S-221M-LF | 220 \pm 20% | 630 | 819 | 0.75 | 0.75 |
| SQH8040S-331M-LF | 330 \pm 20% | 899 | 1155 | 0.68 | 0.65 |
| SQH8040S-102M-LF | 1000 \pm 20% | 630 | 3731 | 0.45 | 0.36 |

- Test Frequency at 100KHz / 1V in HP4285A precision LCR Meter .
- Isat : DC current at which the inductance drops 30%(typ) from its value without current.
- Irms : The temperature rise current value is the DC current value having temperature increase up 40°C temperature rise from 25°C ambient.
- Operating temperature range -40°C to +125°C , Electrical specifications at 25°C .

X-ON Electronics

Largest Supplier of Electrical and Electronic Components

Click to view similar products for [Fixed Inductors](#) category:

Click to view products by [Coilmaster](#) manufacturer:

Other Similar products are found below :

[CR32NP-151KC](#) [CR32NP-180KC](#) [CR32NP-181KC](#) [CR32NP-1R5MC](#) [CR32NP-390KC](#) [CR32NP-3R9MC](#) [CR32NP-680KC](#) [CR32NP-820KC](#) [CR32NP-8R2MC](#) [CR43NP-390KC](#) [CR43NP-560KC](#) [CR43NP-680KC](#) [CR54NP-181KC](#) [CR54NP-470LC](#) [CR54NP-820KC](#) [CR54NP-8R5MC](#) [70F224AI](#) [MGDQ4-00004-P](#) [MHL1ECTTP18NJ](#) [MHQ1005P10NJ](#) [MHQ1005P1N0S](#) [MHQ1005P2N4S](#) [MHQ1005P3N6S](#) [MHQ1005P5N1S](#) [MHQ1005P8N2J](#) [PE-51506NL](#) [PE-53601NL](#) [PE-53602NL](#) [PE-53630NL](#) [PE-53824SNLT](#) [PE-92100NL](#) [PG0434.801NLT](#) [PG0936.113NLT](#) [9220-20](#) [9310-16](#) [PM06-2N7](#) [PM06-39NJ](#) [A01TK](#) [1206CS-471XJ](#) [HC2LP-R47-R](#) [HC2-R47-R](#) [HC3-2R2-R](#) [HCF1305-3R3-R](#) [1206CS-151XG](#) [RCH664NP-140L](#) [RCH664NP-4R7M](#) [RCH8011NP-221L](#) [RCP1317NP-332L](#) [RCP1317NP-391L](#) [RCR1010NP-470M](#)