



SQH8040S SERIES ~ SEMI SMD Power Inductors

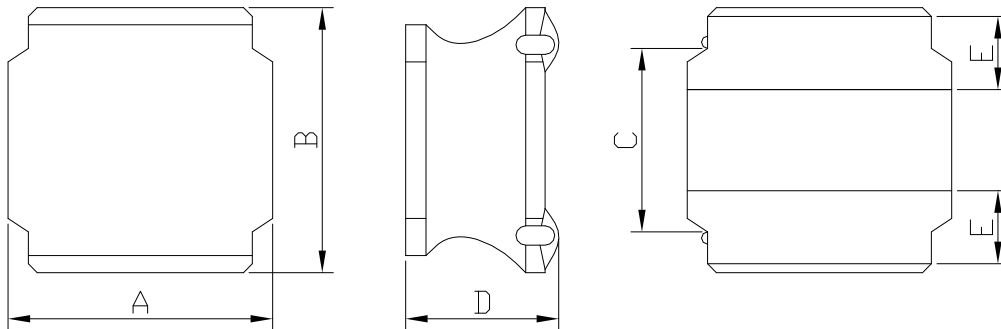


PART NUMBERING SYSTEM

SQH	8040S	—	470M	—	LF
TYPE	DIMENSIONS		INDUCTANCE		LEAD FREE

SHAPES AND DIMENSIONS

UNIT : mm



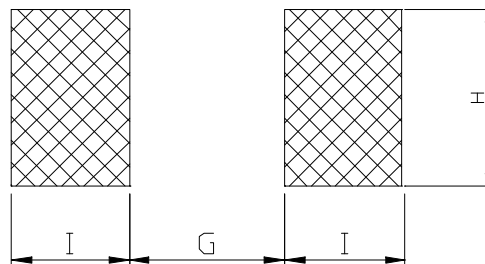
A=8.2 Max. B=8.2 Max. C=4.0 Ref. E=1.35±0.2

0R9~6R8 Type D=4.2 Max.

100~101 Type D=4.0 Max.

RECOMMENDED PATTERNS

UNIT : mm



G= 3.10 H= 5.70 I = 1.60

FEATURES

- * Low profile and small inductors (6.2mm Max. square and 4.0mm Max. height)
- * Magnetically shielded construction and high current
- * Ideal for DC-DC converter choke coil for portable equipments (DVDs , DSC , Cellular , PDAs)
- * RoHS compliant option with lead free

SQH8040S SERIES ~ SEMI SMD Power Inductors



SPECIFICATION TABLE

PART NUMBER	INDUCTANCE (μ H)	DCR (m Ω) (Typ.)	DCR (m Ω) (Max.)	Isat (A) (Max.)	Irms (mA) (Max.)
SQH8040S-0R5N-LF	0.5 \pm 30%	6.00	7.80	11.0	8.00
SQH8040S-0R9N-LF	0.9 \pm 30%	7.00	9.10	10.0	7.90
SQH8040S-1R4N-LF	1.4 \pm 30%	9.00	11.7	8.60	7.50
SQH8040S-2R0N-LF	2.0 \pm 30%	12.0	15.6	7.00	6.80
SQH8040S-2R2N-LF	2.2 \pm 30%	12.0	15.6	6.80	6.40
SQH8040S-3R3N-LF	3.3 \pm 30%	15.0	19.5	6.40	5.80
SQH8040S-3R6N-LF	3.6 \pm 30%	15.0	19.5	6.00	5.40
SQH8040S-3R9N-LF	3.9 \pm 30%	15.0	19.5	5.60	5.00
SQH8040S-4R7N-LF	4.7 \pm 30%	20.0	26.0	5.40	4.50
SQH8040S-6R8N-LF	6.8 \pm 30%	25.0	32.5	4.40	4.00
SQH8040S-8R6N-LF	8.6 \pm 30%	30.0	39.0	4.20	3.50
SQH8040S-100M-LF	10 \pm 20%	31.0	40.3	3.80	3.30
SQH8040S-150M-LF	15 \pm 20%	50.0	65.0	3.00	2.70
SQH8040S-220M-LF	22 \pm 20%	66.0	85.8	2.40	2.20
SQH8040S-330M-LF	33 \pm 20%	110	143	2.00	2.00
SQH8040S-470M-LF	47 \pm 20%	150	195	1.60	1.60
SQH8040S-680M-LF	68 \pm 20%	200	260	1.30	1.30
SQH8040S-101M-LF	100 \pm 20%	310	403	1.00	1.00
SQH8040S-121M-LF	120 \pm 20%	350	455	0.95	0.90
SQH8040S-221M-LF	220 \pm 20%	630	819	0.75	0.75

- Test Frequency at 100KHz / 1V in HP4285A precision LCR Meter .
- Isat : DC current at which the inductance drops 30%(typ) from its value without current.
- Irms : The temperature rise current value is the DC current value having temperature increase up 40°C temperature rise from 25°C ambient.
- Operating temperature range -40°C to +105°C , Electrical specifications at 25°C .

X-ON Electronics

Largest Supplier of Electrical and Electronic Components

Click to view similar products for [Fixed Inductors](#) category:

Click to view products by [Coilmaster](#) manufacturer:

Other Similar products are found below :

[CR32NP-151KC](#) [CR32NP-180KC](#) [CR32NP-181KC](#) [CR32NP-1R5MC](#) [CR32NP-390KC](#) [CR32NP-3R9MC](#) [CR32NP-680KC](#) [CR32NP-820KC](#) [CR32NP-8R2MC](#) [CR43NP-390KC](#) [CR43NP-560KC](#) [CR43NP-680KC](#) [CR54NP-181KC](#) [CR54NP-470LC](#) [CR54NP-820KC](#) [CR54NP-8R5MC](#) [70F224AI](#) [MGDQ4-00004-P](#) [MHL1ECTTP18NJ](#) [MHQ1005P10NJ](#) [MHQ1005P1N0S](#) [MHQ1005P2N4S](#) [MHQ1005P3N6S](#) [MHQ1005P5N1S](#) [MHQ1005P8N2J](#) [PE-51506NL](#) [PE-53601NL](#) [PE-53602NL](#) [PE-53630NL](#) [PE-53824SNLT](#) [PE-92100NL](#) [PG0434.801NLT](#) [PG0936.113NLT](#) [9220-20](#) [9310-16](#) [PM06-2N7](#) [PM06-39NJ](#) [A01TK](#) [1206CS-471XJ](#) [HC2LP-R47-R](#) [HC2-R47-R](#) [HC3-2R2-R](#) [HCF1305-3R3-R](#) [1206CS-151XG](#) [RCH664NP-140L](#) [RCH664NP-4R7M](#) [RCH8011NP-221L](#) [RCP1317NP-332L](#) [RCP1317NP-391L](#) [RCR1010NP-470M](#)