

Customer: _____

SPECIFICATION

Product Name:	
Customer Part Number:	
MOTTO Part Number:	MEQ3230B-9R0M-D
Drawn No:	
Version:	

【For Customer Approval Only】

Approved By	Verified By	Re-checked By	Checked By

We are pleased in sending you herewith on speciation and drawings for your approval. Please return to us one copy "approval" with your approved.

Manufacturing Name:

SHENZHEN MOTTO TECHNOLOGY CO., LTD

Approved By	Checked By	Issued By

DATE:2023.09.14

SAMPLEMADE IN CHINA

Samples meet Rohs and Lead-free requirement

Motto Technology park, niu e ling village no#214 xintian, nghua Town,
Guanlan Street, Longhua District, Shenzhen
TEL: +86 0755-8948751~2 89487610 Fax: +86 0755-61624574
[Http://www.coilmx.com](http://www.coilmx.com) E-mail: sales@mottotech.com

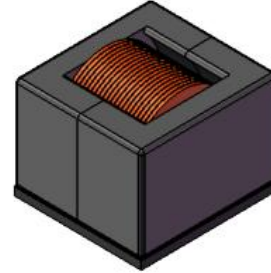
MEQ SERIES HIGH CURRENT POWER INDUCTOR

Features:

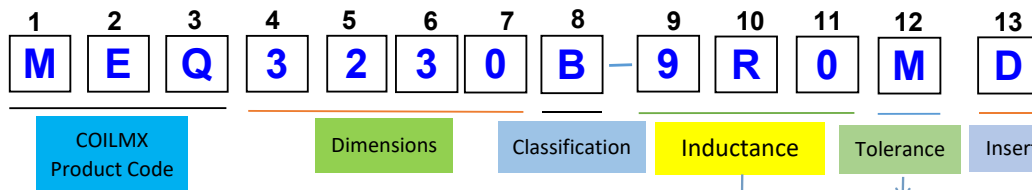
- ◆ Special materials eliminate all thermal aging issues.
- ◆ Flat wire coil for low losses at high frequency
- ◆ Soft saturation makes them ideal for VDR/VRM applications

Applications:

- ◆ high efficiency DC/DC converters.
- ◆ Single and polyphase buck converters
- ◆ Filter for audio applications
- ◆ Optimized for high current boost applications.
- ◆ Laptops, Graphic cards, Motherboards



Explanation of part numbers



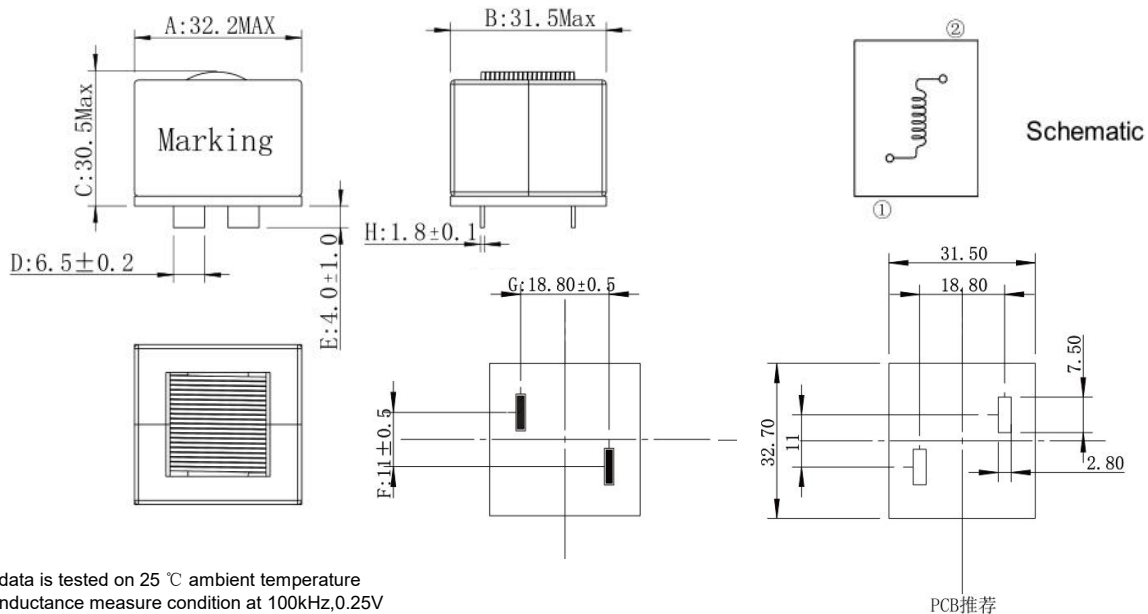
(Example)

Code	Inductance	Code	Inductance
R68	0.68uH	J	±5%
4R7	4.7uH	K	±10%
330	33uH	L	±15%
101	100uH	M	±20%
		P	±25%
		N	±30%

1 Electrical Characteristics

2 Product Dimensions (mm)

Part No	Inductance (μH)※ ±20%	D.C.R. (mΩ) Max	I sat (A) Typical	I rms(A) Typical
MEQ3230B-9R0M-D	9.00	1.00	95.00	50.00



All data is tested on 25 °C ambient temperature

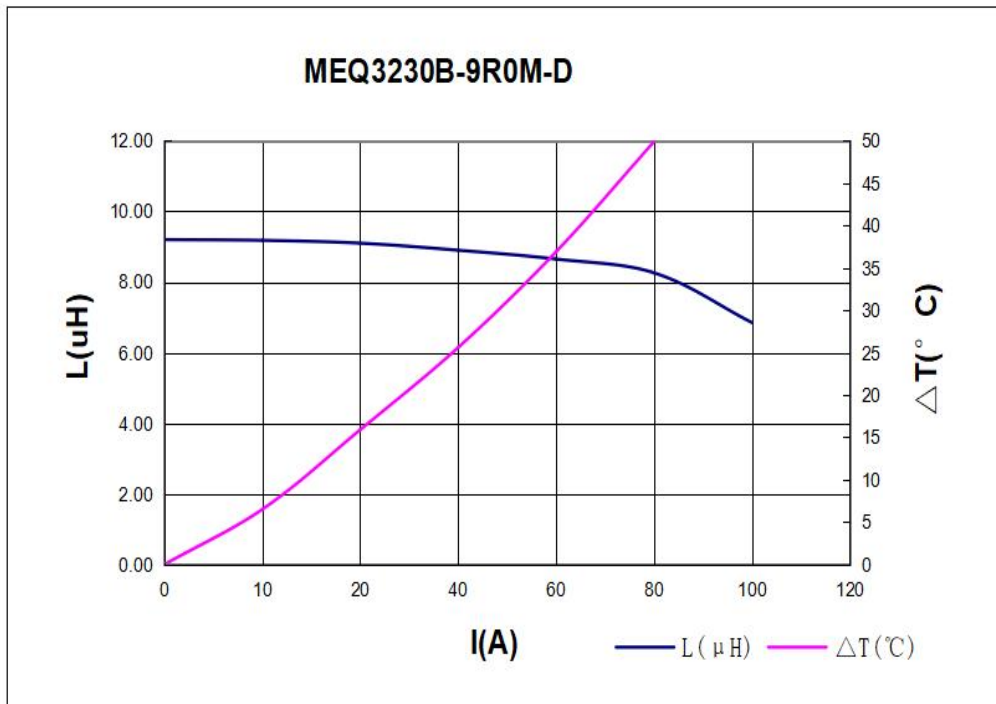
1. Inductance measure condition at 100kHz,0.25V
2. Isat:the actual value of DC current when the inductance decrease 30% of its initial value
3. Irms:the actual value of DC current when the temperature rise is ΔT40°C (Ta=25°C)

Motto Technology park, niu e ling village no#214 xintian,nghua Town,
Guanlan Street, Longhua District,Shenzhen

TEL: +86 0755-8948751~2 89487610 Fax: +86 0755-61624574

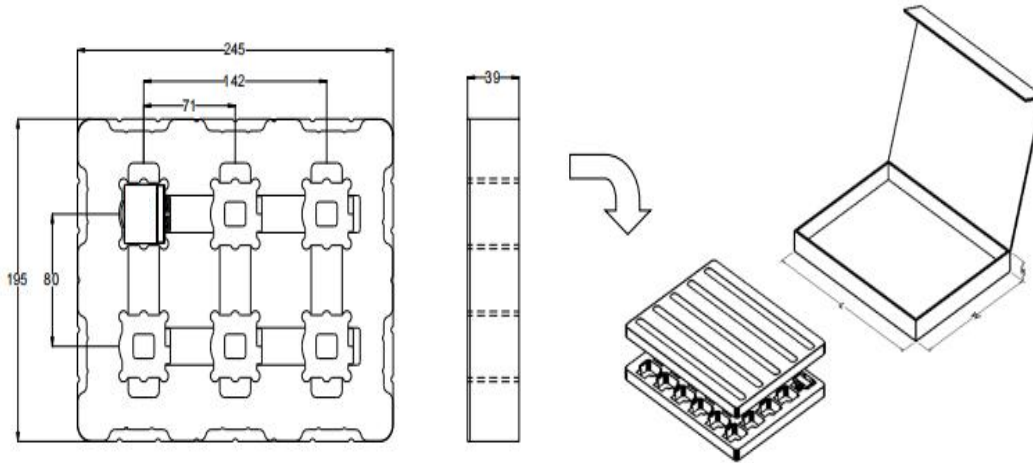
[Http://www.coilmx.com](http://www.coilmx.com) E-mail: sales@mottotech.com

4 Saturation Current vs Temperature Rise Current Curve



4 Packing Specification

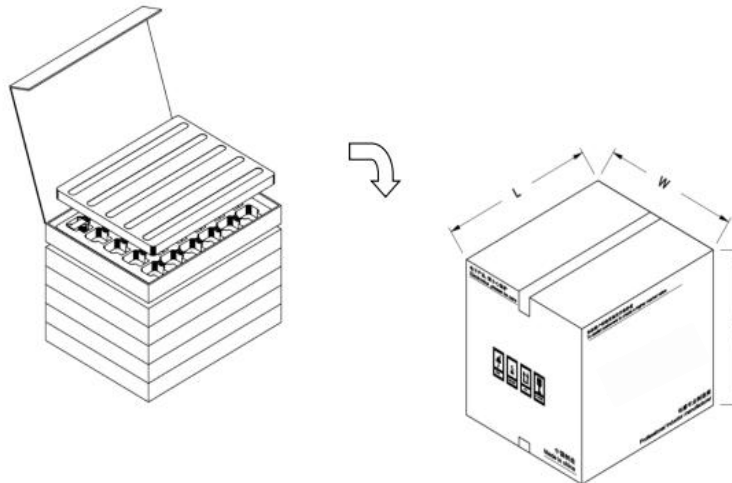
4.1 Plastic Tray Dimensions (mm)



Packaging Unit (Pcs)	Material
6	APET

L typ	W typ	H typ	No. of Tray (Pcs)	Packaging Unit(Pcs)	Material
265	205	45	1	6	Paper

4.2 Packing (mm)



L typ	W typ	H typ	No. of Inner Carton	Packaging Unit(Pcs)	Material
275	232	261	5	30	Paper

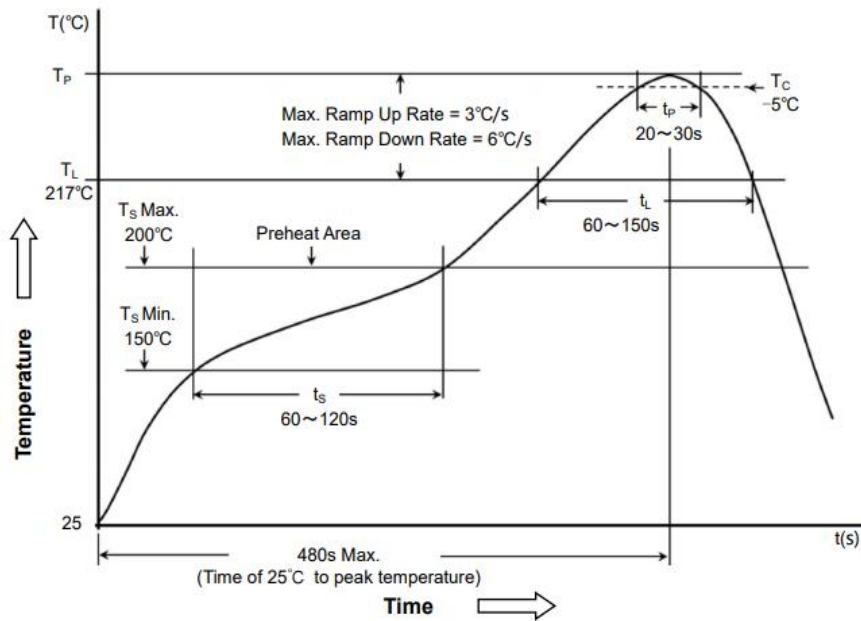
Motto Technology park, niu e ling village no#214 xintian, nghua Town,
Guanlan Street, Longhua District, Shenzhen

TEL: +86 0755-8948751~2 89487610 Fax: +86 0755-61624574

[Http://www.coilmx.com](http://www.coilmx.com) E-mail: sales@mottotech.com

5 Soldering Specification

5.1 Reflow Profile for SMT Components



5.2 Classification of Peak Package Body Temperature (TP)

	Package Thickness	Package Volume		
		<350 mm ³	350~2000 mm ³	>2000 mm ³
Pb-Free Assembly	<1.6mm	260°C	260°C	260°C
	1.6-2.5mm	260°C	250°C	245°C
	≥2.5mm	250°C	245°C	245°C

※ Reflow is referred to standard IPC/JEDEC J-STD-020D.

**Motto Technology park, niu e ling village no#214 xintian,nghua Town,
Guanlan Street, Longhua District,Shenzhen**

TEL: +86 0755-8948751~2 89487610 Fax: +86 0755-61624574

[Http://www.coilmx.com](http://www.coilmx.com) E-mail: sales@mottotech.com

6 Notice of Use

6.1 Special remind:Circuit design, component placement, PCB size and thickness, cooling system and etc. all will affect the product temperature. Please verify the product temperature in the final application.

6.2 Product in packing storage condition:temperature 5~40℃, RH≤ 70%. If taking out for use, the remaining products should be sealed in plastic bags and preserved in accordance with the above conditions, to avoid oxidation of terminals (electrodes), affecting soldering status.

6.3 A storage of Codaca Electronic products for longer than 12 months is not recommended, Within other effects, the terminals may suffer degradation, resulting in bad solderability. Therefore, all products shall be used within the period of 12 months based on the day of shipment.

6.4 Do not keep products in unsuitable storage conditions, such as areas susceptible to high temperatures, high humidity, dust or corrosion.

6.5 Always handle products with care.

6.6 Don't touch electrodes directly with bare hands as oil secretions may inhibit soldering. Always ensure optimum conditions for soldering.

6.7 When this product will be used on a similar or new project to the original one, sometimes it might be unable to satisfy the specifications due to different condition of usage.

6.8 This inductor itself does not have any protective function in abnormal condition, such as overload, short-circuit, open-circuit conditions, etc. Therefore, it shall be confirmed that there is no risk of smoke, fire, dielectric withstand voltage, insulation resistance, etc., or use in abnormal conditions protective devices or protection circuit in the end product

6.9 Hi-Pot test with higher voltage than spec value will damage insulating material and shorten its life.

6.10 If using in potting compound, the magnet wire coating might be damaged, please consult with us.

6.11 Refrain from rinsing coils. If necessary, please consult with us

Motto Technology park, niu e ling village no#214 xintian,nghua Town,
Guanlan Street, Longhua District,Shenzhen

TEL: +86 0755-8948751~2 89487610 Fax: +86 0755-61624574

[Http://www.coilmx.com](http://www.coilmx.com) E-mail: sales@mottotech.com

X-ON Electronics

Largest Supplier of Electrical and Electronic Components

Click to view similar products for [Fixed Inductors](#) category:

Click to view products by [COILMX](#) manufacturer:

Other Similar products are found below :

[CR32NP-100KC](#) [70F224AI](#) [MHQ1005P10NJ](#) [MHQ1005P1N0S](#) [MHQ1005P2N4S](#) [MHQ1005P3N6S](#) [MHQ1005P5N1S](#) [MHQ1005P8N2J](#)
[PE-53601NL](#) [PE-53602NL](#) [PG0936.113NLT](#) [9220-20](#) [9310-16](#) [PM06-2N7](#) [PM06-39NJ](#) [A01TK](#) [1206CS-471XJ](#) [HC2-R47-R](#) [HC8-1R2-R](#)
[HCF1305-3R3-R](#) [1206CS-151XG](#) [RCH664NP-4R7M](#) [RCP1317NP-391L](#) [DH2280-4R7M](#) [DS1608C-106](#) [B10TJ](#) [B82498B3101J000](#) [ELJ-](#)
[RE27NJF2](#) [1812CS-153XJ](#) [1812CS-183XJ](#) [1812CS-223XJ](#) [1812LS-104XJ](#) [1812LS-105XJ](#) [1812LS-124XJ](#) [1812LS-154XJ](#) [1812LS-223XJ](#)
[1812LS-224XJ](#) [1812LS-563XJ](#) [1812LS-683XJ](#) [1812LS-824XJ](#) [NIN-FB101JTR110F](#) [NIN-FB471JTR62F](#) [NIN-FC1R5JTR220F](#) [NIN-](#)
[HCR15JTRF](#) [NIN-HCR33JTRF](#) [NIN-HDR22JTRF](#) [NIN-HDR82JTRF](#) [NIN-HK2N7STRF](#) [NIN-PA150KTR370F](#) [NIN-PB100KTR550F](#)