

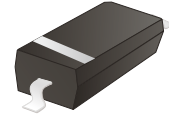
1N4148W-HF

Reverse Voltage: 100 V

Forward Current: 150mA

RoHS Device

Halogen Free

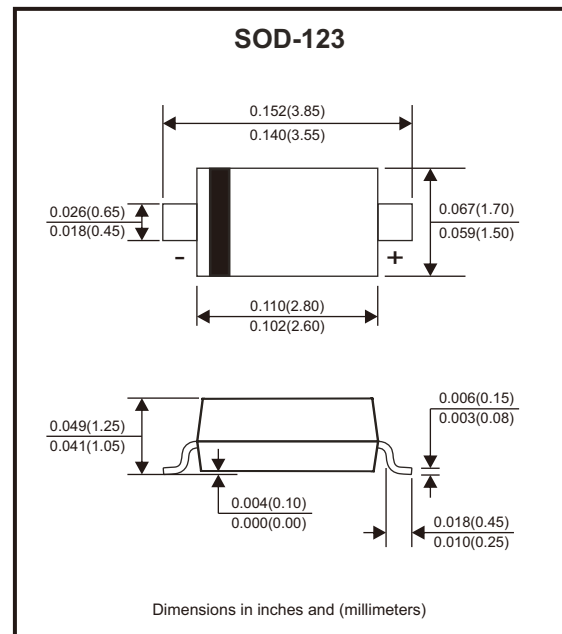


Features

- Fast switching device ($T_{rr} < 4.0\text{nS}$).
- Power dissipation of 500mW.
- High stability and high reliability.
- Low reverse leakage.

Mechanical data

- Case: SOD-123, molded plastic.
- Polarity: Color band denotes cathode end.
- Epoxy UL: 94V-0.
- Mounting position: Any.



Circuit Diagram



Maximum Rating (at $T_a=25^\circ\text{C}$ unless otherwise noted)

Parameter	Symbol	Value	Unit
Peak reverse voltage	V_{RM}	100	V
Power dissipation	P_D	500	mW
Average rectified current	I_O	150	mA
Non-repetitive peak forward current	I_{FM}	300	mA
Peak forward surge current @ $t_p=1\mu\text{s}$, $T_A=25^\circ\text{C}$	I_{FSM}	2	A
Thermal resistance from junction to ambient	$R_{\theta JA}$	250	$^\circ\text{C/W}$
Operating junction temperature	T_J	150	$^\circ\text{C}$
Storage temperature range	T_{STG}	-65 to +150	$^\circ\text{C}$

Note: Valid provided that electrodes are kept at ambient temperature.

Electrical Characteristics (at Ta=25°C unless otherwise noted)

Parameter	Conditions	Symbol	Min	Typ	Max	Unit
Breakdown voltage	$I_R = 100\mu A$	B_V	100			V
Reverse leakage current	$V_R = 20V$	I_R			25	nA
	$V_R = 20V, T_j = 150^\circ C$				50	μA
	$V_R = 75V$				5	
Forward voltage	$I_F = 10mA$	V_F			1.00	V
	$I_F = 100mA$				1.25	
Capacitance	$V_R = 0V, f = 1MHz$	C			4	pF
Reverse recovery time	$I_F = I_R = 10mA, I_{rr} = 0.1 \times I_R$ $R_L = 100\Omega$	T_{RR}			4	nS

Rating and Characteristic Curves (1N4148W-HF)

Fig.1 - Forward Characteristics

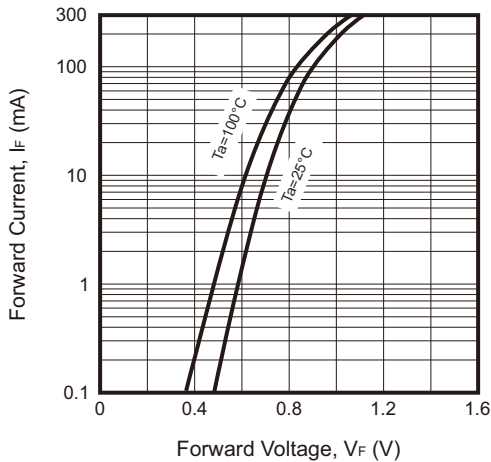


Fig.2 - Reverse Characteristics

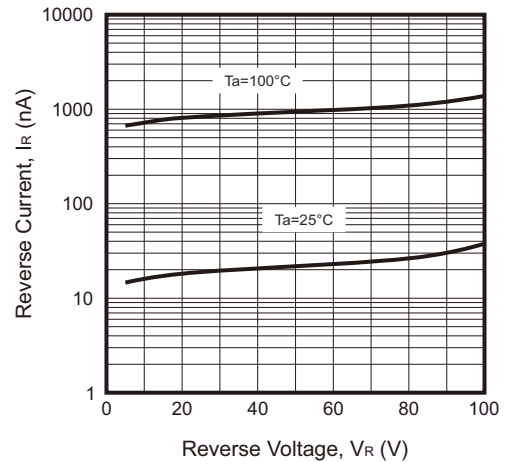


Fig.3 - Capacitance Characteristics

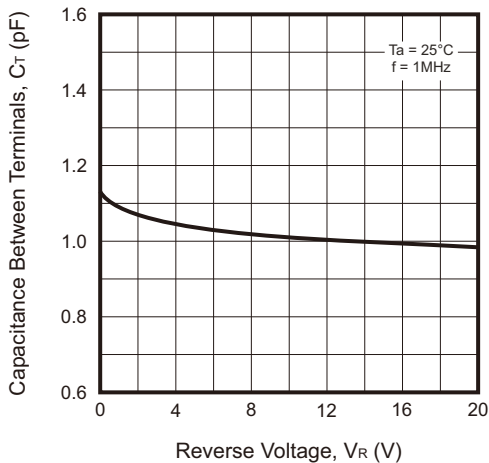
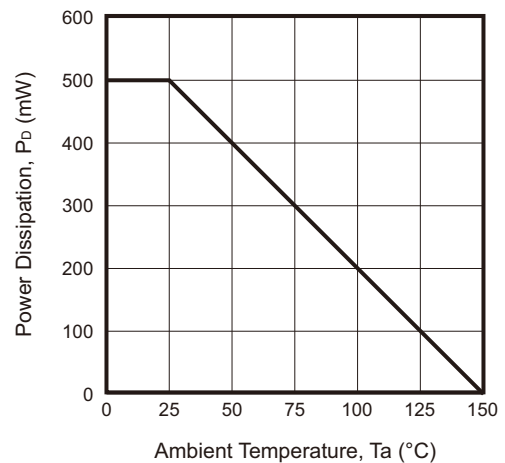
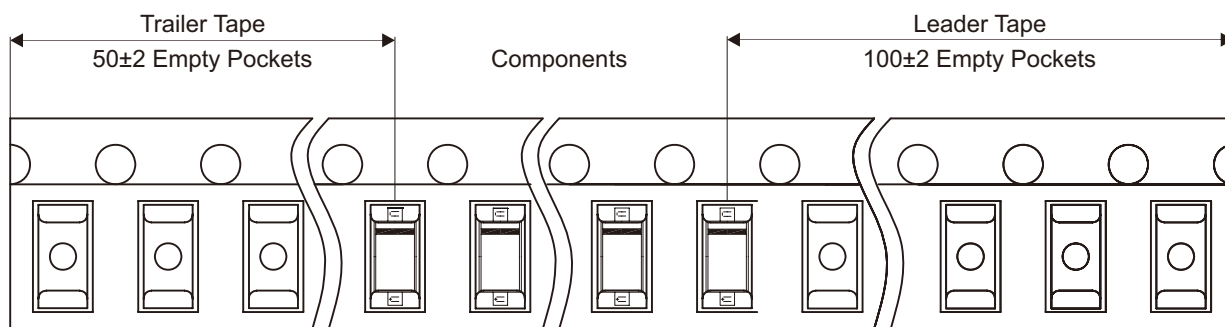
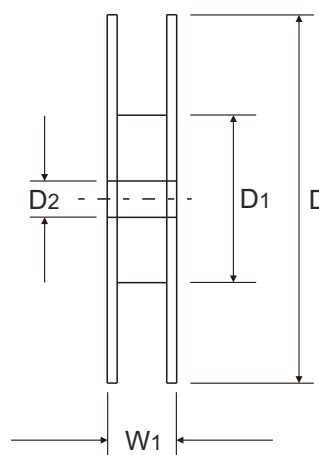
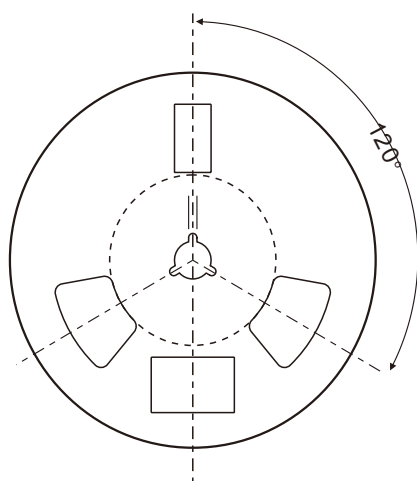
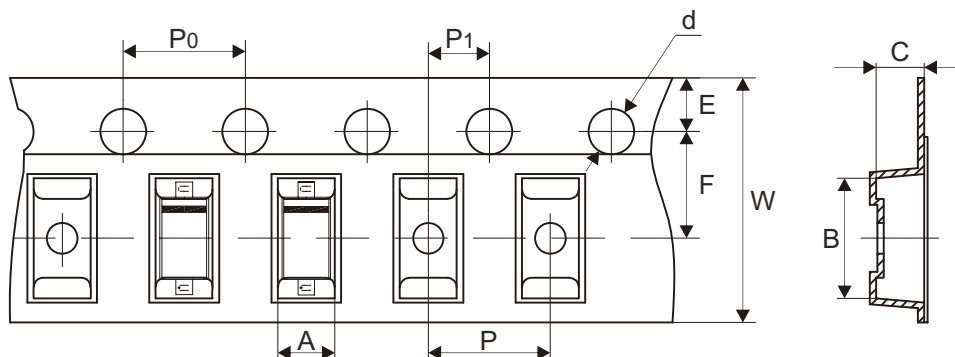


Fig.4 - Power Derating Curve



Reel Taping Specification

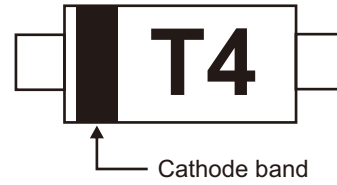


SOD-123	SYMBOL	A	B	C	d	D	D1	D2
	(mm)	1.85 ± 0.05	3.94 ± 0.05	1.57 ± 0.05	1.55 ± 0.10	178.00 ± 2.00	54.40 ± 1.00	13.00 ± 1.00
	(inch)	0.073 ± 0.002	0.155 ± 0.002	0.062 ± 0.002	0.061 ± 0.004	7.008 ± 0.079	2.142 ± 0.039	0.512 ± 0.039

SOD-123	SYMBOL	E	F	P	P1	P0	W	W1
	(mm)	1.75 ± 0.10	3.50 ± 0.10	4.00 ± 0.10	2.00 ± 0.10	4.00 ± 0.10	8.00 + 0.06 - 0.10	12.30 ± 1.00
	(inch)	0.069 ± 0.004	0.138 ± 0.004	0.157 ± 0.004	0.079 ± 0.004	0.157 ± 0.004	0.315 + 0.002 - 0.004	0.484 ± 0.039

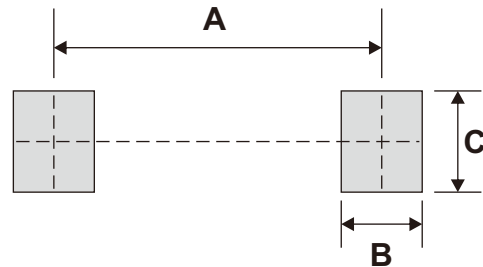
Marking Code

Part Number	Marking Code
1N4148W-HF	T4



Suggested PAD Layout

SIZE	SOD-123	
	(mm)	(inch)
A	3.24	0.128
B	0.80	0.031
C	1.00	0.039



Note: 1.The pad layout is for reference purposes only.

Standard Packaging

Case Type	REEL PACK	
	REEL (pcs)	Reel Size (inch)
SOD-123	3,000	7

X-ON Electronics

Largest Supplier of Electrical and Electronic Components

Click to view similar products for [Diodes - General Purpose, Power, Switching category](#):

Click to view products by [Comchip manufacturer](#):

Other Similar products are found below :

[RD0306T-H](#) [BAV17-TR](#) [BAV19-TR](#) [1N3611](#) [NTE156A](#) [NTE525](#) [NTE571](#) [NTE574](#) [NTE5804](#) [NTE5806](#) [NTE6244](#) [1SS181-TP](#)
[1SS193,LF](#) [1SS400CST2RA](#) [SDAA13](#) [SHN2D02FUTW1T1G](#) [LS4151GS08](#) [1N4449](#) [1N456A](#) [1N4934-E3/73](#) [1N914B](#) [1N914BTR](#)
[RFUH20TB3S](#) [BAS 28 E6327](#) [BAV199-TP](#) [BAW56DWQ-7-F](#) [BAW75-TAP](#) [MM230L-CAA](#) [IDW40E65D1](#) [JAN1N3600](#) [LL4151-GS18](#)
[053684A](#) [SMMSD4148T3G](#) [707803H](#) [NSVDAN222T1G](#) [SP000010217](#) [CDSZC01100-HF](#) [BAV199E6433HTMA1](#) [BAV70M3T5G](#)
[SMBT2001T1G](#) [NTE5801](#) [NTE5800](#) [NTE5808](#) [NTE6240](#) [NTE6248](#) [DLM10C-AT1](#) [BAS28-7](#) [BAW56HDW-13](#) [BAS28 TR](#) [VS-](#)
[HFA04SD60STR-M3](#)