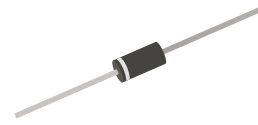


1N5400-G Thru. 1N5408-G

Voltage: 50 to 1000 V

Current: 3.0 A

RoHS Device

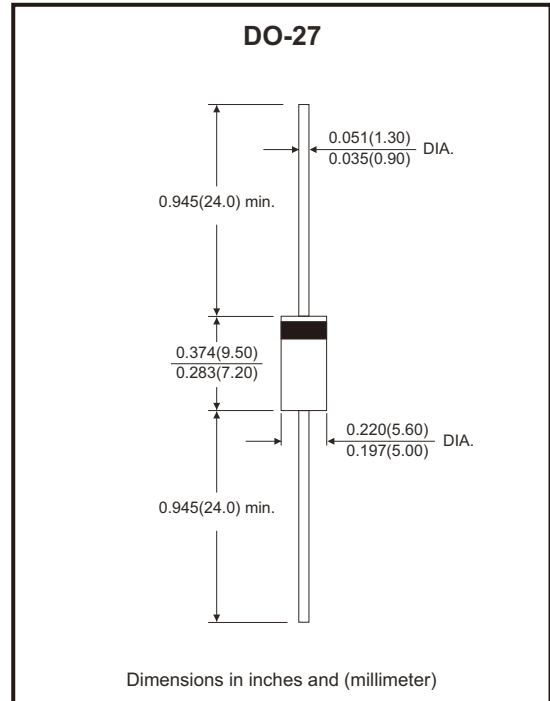


Features

- Open junction chip.
- Low reverse leakage.
- High forward surge current capability.
- High temperature soldering guaranteed 250°C/10 seconds at terminals.

Mechanical data

- Epoxy: UL 94V-0 rate flame retardant.
- Case: DO-27, molded plastic.
- Terminals: Solder plated, solderable per MIL-STD-750, method 2026.
- Polarity: Color band denotes cathode.
- Mounting position: Any.



Circuit Diagram



Maximum Ratings and Electrical Characteristics

Ratings at 25°C ambient temperature unless otherwise specified.
Single phase, half wave, 60Hz, resistive or inductive load.
For capacitive load, derate current by 20%.

Parameter	Symbol	1N5400 -G	1N5401 -G	1N5402 -G	1N5404 -G	1N5406 -G	1N5407 -G	1N5408 -G	Unit
Maximum repetitive peak reverse voltage	V_{RRM}	50	100	200	400	600	800	1000	V
Maximum RMS voltage	V_{RMS}	35	70	140	280	420	560	700	V
Maximum DC blocking voltage	V_{DC}	50	100	200	400	600	800	1000	V
Maximum average forward rectified current at $T_L=100^\circ\text{C}$	$I_{F(AV)}$	3.0							A
Peak forward surge current, 8.3ms single half sine-wave superimposed on rated load	I_{FSM}	150							A
Maximum instantaneous forward voltage at 3.0A	V_F	1.10							V
Maximum DC reverse current at rated DC blocking voltage	@ $T_A=25^\circ\text{C}$	10.0							μA
	@ $T_A=125^\circ\text{C}$	500							
Typical junction capacitance (Note 1)	C_J	50							pF
Typical thermal resistance	$R_{\theta JA}$	45							$^\circ\text{C/W}$
Operating junction and storage temperature range	T_J, T_{STG}	-55 to +150							$^\circ\text{C}$

Notes: 1. Measured at 1MHz and applied reverse voltage of 4.0V D.C.

Company reserves the right to improve product design, functions and reliability without notice.

REV:C

Rating and Characteristic Curves (1N5400-G Thru. 1N5408-G)

Fig.1 - Derating Curve Output Rectified Current

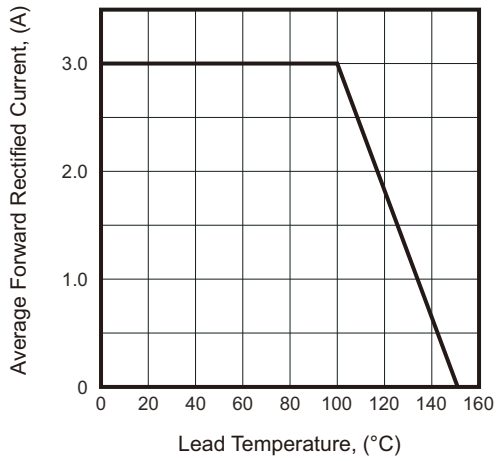


Fig.2 - Max. Non-Repetitive Peak Forward Surge Current Per Leg

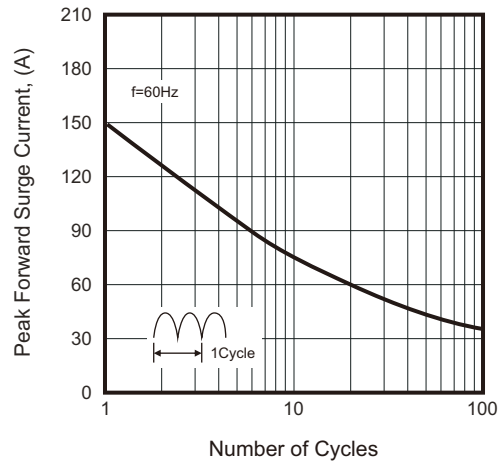


Fig.3 - Typical Forward Voltage Characteristics

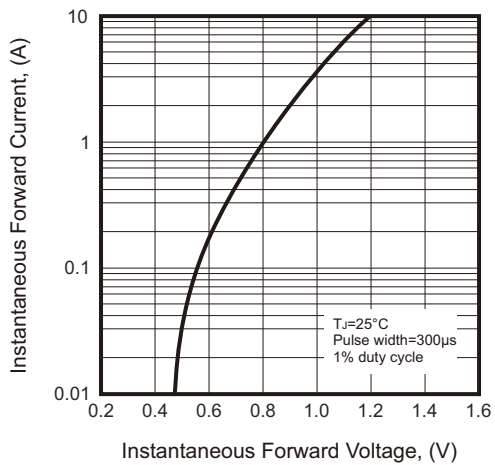
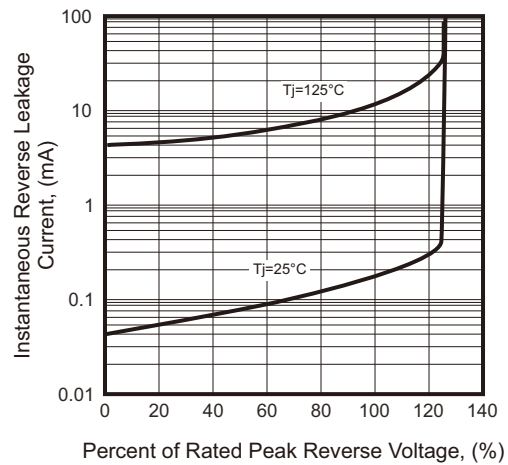
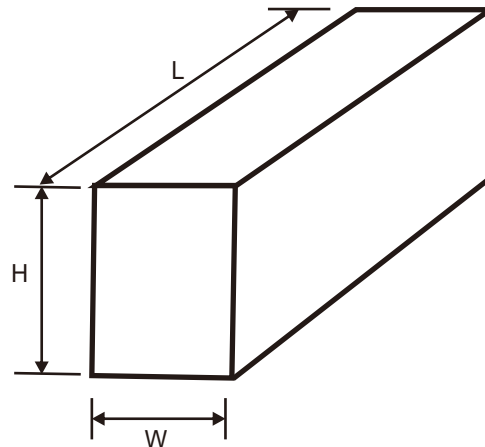
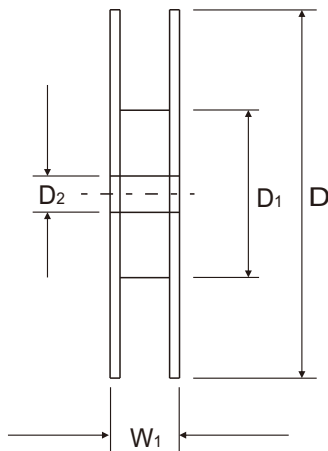
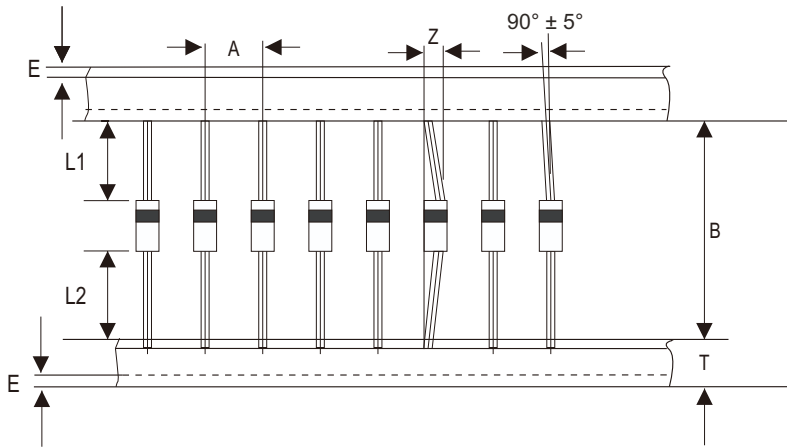


Fig.4 - Typical Reverse Leakage Characteristics



Taping Specification For Axial Lead Diodes



DO-27	SYMBOL	A	B	Z	T	E	L1-L2
	(mm)	10.00 ± 0.50	52.40 + 1.50 - 0.40	1.20 (max)	6.00 ± 0.40	0.80 (max)	1.00 (max)
	(inch)	0.394 ± 0.020	2.063 + 0.059 - 0.016	0.047 (max)	0.236 ± 0.016	0.031 (max)	0.039 (max)

DO-27	SYMBOL	L	W	H	D	D1	D2	W1
	(mm)	255.00 ± 5.00	75.00 ± 5.00	150.00 ± 5.00	330	85.70 ± 0.30	16.60 ± 0.40	79.00 ± 1.00
	(inch)	10.039 ± 0.197	2.953 ± 0.197	5.906 ± 0.197	12.992	3.374 ± 0.012	0.654 ± 0.016	3.110 ± 0.039

Company reserves the right to improve product design , functions and reliability without notice.

REV:C

Marking Code

Part Number	Marking code	Packaging
1N5400-G	1N5400	AMMO
1N5401-G	1N5401	
1N5402-G	1N5402	
1N5404-G	1N5404	
1N5406-G	1N5406	
1N5407-G	1N5407	
1N5408-G	1N5408	
1N5400T-G	1N5400	REEL
1N5401T-G	1N5401	
1N5402T-G	1N5402	
1N5404T-G	1N5404	
1N5406T-G	1N5406	
1N5407T-G	1N5407	
1N5408T-G	1N5408	
1N5400B-G	1N5400	BULK
1N5401B-G	1N5401	
1N5402B-G	1N5402	
1N5404B-G	1N5404	
1N5406B-G	1N5406	
1N5407B-G	1N5407	
1N5408B-G	1N5408	



XX = Product type marking code

Note:

1) Suffix code after part number to specify packaging item .

Packaging	Code
AMMO PACK	NA
REEL PACK	T
BULK PACK	B

Standard Packaging

Case Type	AMMO PACK	
	BOX (pcs)	
DO-27	1,200	

Case Type	BULK PACK	
	BOX (pcs)	
DO-27	200	

Case Type	REEL PACK	
	REEL (pcs)	Reel Size (inch)
DO-27	1,200	13

Company reserves the right to improve product design , functions and reliability without notice.

REV:C

X-ON Electronics

Largest Supplier of Electrical and Electronic Components

Click to view similar products for [Rectifiers](#) category:

Click to view products by [Comchip](#) manufacturer:

Other Similar products are found below :

[70HFR40](#) [RL252-TP](#) [150KR30A](#) [1N5397](#) [NTE5841](#) [NTE6038](#) [SCF5000](#) [1N4002G](#) [1N4005-TR](#) [JANS1N6640US](#) [VS-80-7161](#) [481235F](#)
[RRE02VS6SGTR](#) [067907F](#) [MS306](#) [70HF40](#) [T85HFL60S02](#) [US2JFL-TP](#) [A1N5404G-G](#) [CRS04\(T5L,TEMQ\)](#) [ACGRA4007-HF](#)
[ACGRB207-HF](#) [CLH03\(TE16L,Q\)](#) [ACGRC307-HF](#) [ACEFC304-HF](#) [NTE6356](#) [NTE6359](#) [NTE6002](#) [NTE6023](#) [NTE6039](#) [NTE6077](#)
[85HFR60](#) [40HFR60](#) [1N1186RA](#) [70HF120](#) [85HFR80](#) [D126A45C](#) [SCF7500](#) [D251N08B](#) [SCHJ22.5K](#) [SM100](#) [SCPA2](#) [SCH10000](#) [SDHD5K](#)
[VS-12FL100S10](#) [ACGRA4001-HF](#) [D1821SH45T PR](#) [D1251S45T](#) [NTE5990](#) [NTE6358](#)