

1N5817-G Thru. 1N5819-G

Reverse Voltage: 20 to 40 V

Forward Current: 1.0 A

RoHS Device

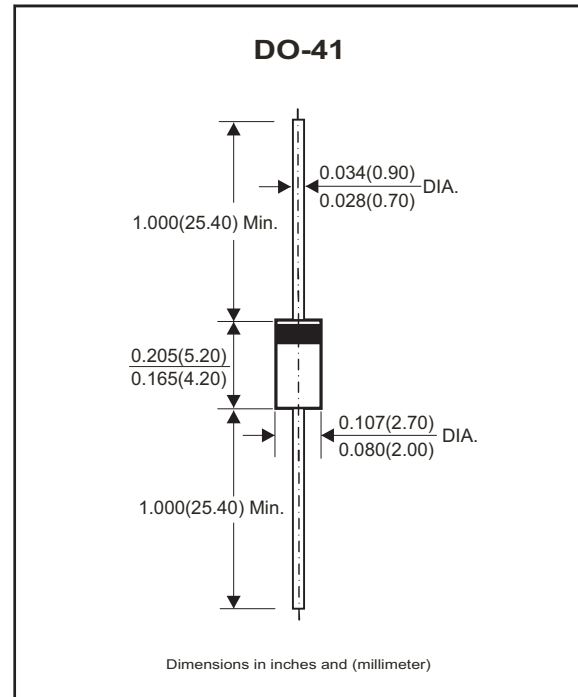


Features

- Metal-Semiconductor junction with guard ring.
- Epitaxial construction.
- Low forward voltage drop.
- High current capability.
- For use in low voltage, high frequency inverters, free wheeling, and polarity protection applications.

Mechanical data

- Case: JEDEC DO-41 molded plastic
- Epoxy: UL 94V-0 rate flame retardant
- Polarity: Color band denotes cathode
- Mounting position: Any
- Weight: 0.012 once, 0.34 grams



Maximum Ratings and Electrical Characteristics

Rating at 25°C ambient temperature unless otherwise specified.
Single phase, half wave, 60Hz, resistive or inductive load.
For capacitive load derate current by 20%.

Parameter	Symbol	1N5817-G	1N5818-G	1N5819-G	Unit
Maximum recurrent peak reverse voltage	V_{RRM}	20	30	40	V
Maximum RMS voltage	V_{RMS}	14	21	28	V
Maximum DC blocking voltage	V_{DC}	20	30	40	V
Maximum average forward rectified current @ $T_A=75^\circ C$	$I_{(AV)}$	1.0			A
Peak forward surge current, 8.3ms single half sine-wave superimposed on rated load (JEDEC method)	I_{FSM}	25			A
Maximum forward voltage at 1.0A DC	V_F	0.450	0.550	0.600	V
Maximum forward voltage at 3.0A DC	V_F	0.750	0.875	0.900	V
Maximum DC reverse current at rated DC blocking voltage	@ $T_J=25^\circ C$	1.0			mA
	@ $T_J=100^\circ C$	10			
Typical junction capacitance (Note 1)	C_J	110			pF
Typical thermal resistance (Note 2)	$R_{\theta JA}$	80			$^\circ C/W$
Operating temperature range	T_J	-55 to +150			$^\circ C$
Storage temperature range	T_{STG}	-55 to +150			$^\circ C$

NOTES:

1. Measured at 1.0MHz and applied reverse voltage of 4.0V DC.
2. Thermal resistance junction to ambient.

Company reserves the right to improve product design , functions and reliability without notice.

REV:A

Rating and Characteristic Curves (1N5817-G Thru.1N5819-G)

Fig.1 - Forward Current Derating Curve

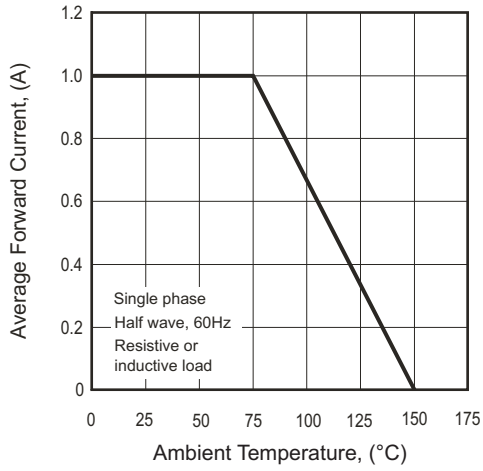


Fig.2 - Maximum Non-Repetitive Surge Current

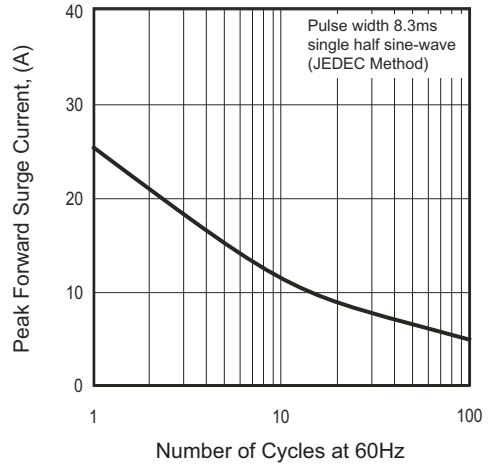


Fig.3 - Typical Junction Capacitance

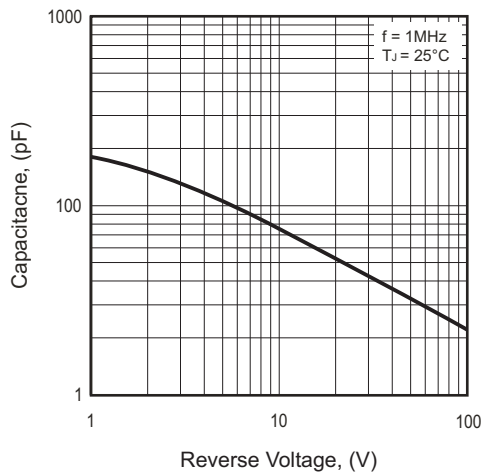
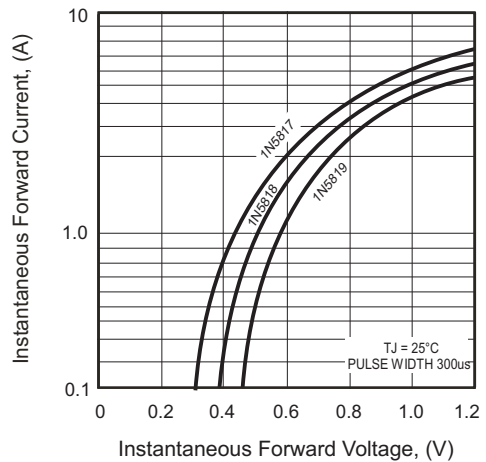
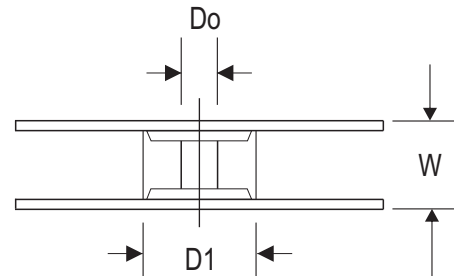
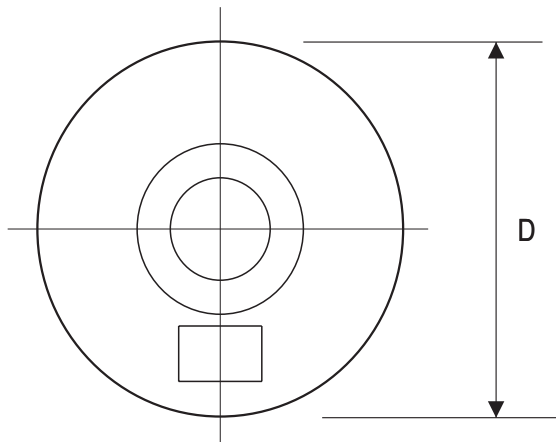
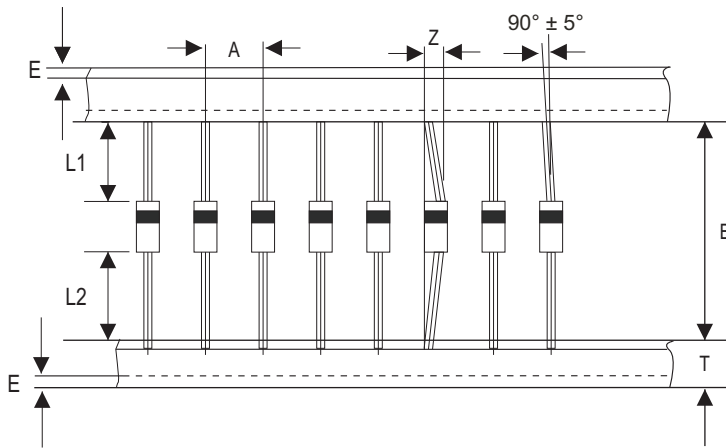


Fig.4 - Typical Forward Characteristics



Company reserves the right to improve product design , functions and reliability without notice.

Reel Taping Specification For Axial Lead Diodes

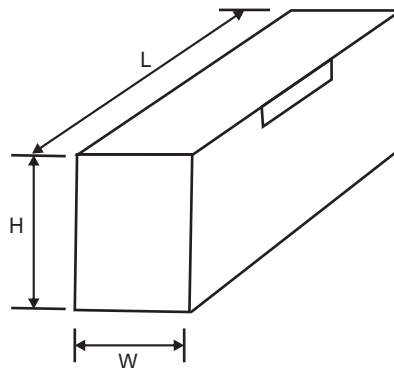
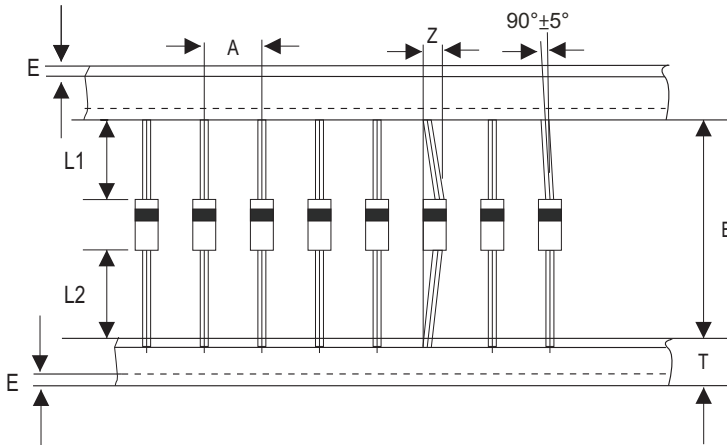


DO-41	SYMBOL	A	B	Z	T	E	IL1-L2I
	(mm)	5.00 ± 0.50	52.40 ± 1.50	1.20 (max)	6.00 ± 0.40	0.80 (max)	1.00 (max)
	(inch)	0.197 ± 0.020	2.063 ± 0.059	0.047 (max)	0.236 ± 0.016	0.031 (max)	0.039 (max)

DO-41	SYMBOL	D1	D0	D	W
	(mm)	85.70 ± 0.30	16.60 ± 0.40	330.00	79.00 ± 1.00
	(inch)	3.374 ± 0.012	0.654 ± 0.016	12.992	3.110 ± 0.040

Company reserves the right to improve product design , functions and reliability without notice.

Ammo Box Taping Specification For Axial Lead Diodes



DO-41	SYMBOL	A	B	Z	T	E	IL1-L2I
	(mm)	5.00 ± 0.50	52.40 ± 1.50	1.20 (max)	6.00 ± 0.40	0.80 (max)	1.00 (max)
	(inch)	0.197 ± 0.020	2.063 ± 0.590	0.047 (max)	0.236 ± 0.016	0.031 (max)	0.039 (max)

DO-41	SYMBOL	L	W	H			
	(mm)	255.0 ± 5.0	78.0 ± 5.0	95.0 ± 5.0			
	(inch)	10.04 ± 0.20	3.07 ± 0.20	3.74 ± 0.20			

Company reserves the right to improve product design , functions and reliability without notice.

Marking Code

Part Number	Marking code	Packaging
1N5817T-G	1N5817	Reel
1N5818T-G	1N5818	Reel
1N5819T-G	1N5819	Reel
1N5817A-G	1N5817	Ammo
1N5818A-G	1N5818	Ammo
1N5819A-G	1N5819	Ammo
1N5817B-G	1N5817	Bulk
1N5818B-G	1N5818	Bulk
1N5819B-G	1N5819	Bulk



Note:

1) Suffix code after part number to specify packaging item .

XX = Product type marking code

Packaging	Code
REEL PACK	T
AMMO PACK	A
BULK PACK	B

Standard Packaging

Case Type	REEL PACK	
	REEL (pcs)	Reel Size (inch)
DO-41	5,000	13

Case Type	AMMO PACK	
	BOX (pcs)	CARTON (pcs)
DO-41	5,000	50,000

Case Type	BULK PACK	
	BOX (pcs)	CARTON (pcs)
DO-41	1,000	50,000

Company reserves the right to improve product design , functions and reliability without notice.

REV:A

X-ON Electronics

Largest Supplier of Electrical and Electronic Components

Click to view similar products for [Schottky Diodes & Rectifiers](#) category:

Click to view products by [Comchip](#) manufacturer:

Other Similar products are found below :

[MA4E2039](#) [D1FH3-5063](#) [MBR10100CT-BP](#) [MBR1545CT](#) [MMBD301M3T5G](#) [RB160M-50TR](#) [RB551V-30](#) [BAS16E6433HTMA1](#) [BAT](#)
[54-02LRH E6327](#) [NSR05F40QNXT5G](#) [NTE555](#) [JANS1N6640](#) [SB07-03C-TB-H](#) [SK310-T](#) [SK32A-LTP](#) [SK33A-TP](#) [SK34B-TP](#) [SS3003CH-](#)
[TL-E](#) [GA01SHT18](#) [CRS10I30A\(TE85L,QM](#) [MA4E2501L-1290](#) [MBRA140TRPBF](#) [MBRB30H30CT-1G](#) [SB007-03C-TB-E](#) [SK32A-TP](#)
[SK33B-TP](#) [SK35A-TP](#) [SK38B-TP](#) [NRVBM120LT1G](#) [NTE505](#) [NTSB30U100CT-1G](#) [SS15E-TP](#) [VS-6CWQ10FNHM3](#) [ACDBA1100LR-HF](#)
[ACDBA1200-HF](#) [ACDBA140-HF](#) [ACDBA2100-HF](#) [ACDBA3100-HF](#) [CDBQC0530L-HF](#) [CDBQC0240LR-HF](#) [BAT6202VH6327XTSA1](#)
[ACDBA340-HF](#) [ACDBA260LR-HF](#) [ACDBA1100-HF](#) [SK310B-TP](#) [MA4E2502L-1246](#) [MA4E2502H-1246](#) [NRVBM120ET1G](#)
[NSR01L30MXT5G](#) [NTE573](#)