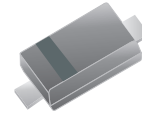


## 1SS389-G

**Reverse Voltage: 10 V**  
**Forward Current: 100 mA**  
**RoHS Device**



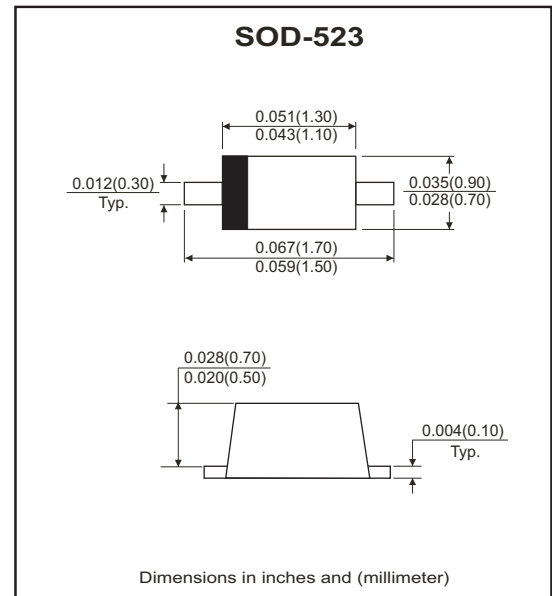
### Features

- High speed switching.
- Small surface mounting type.
- Low forward voltage.

### Mechanical data

- Case: SOD-523 standard package, Molded plastic.
- Terminals: Solderable per MIL-STD-750, method 2026
- Mounting position: Any
- Weight: 0.012 grams(approx.)

### Circuit Diagram



### Maximum Ratings (at T<sub>A</sub>=25°C, unless otherwise noted)

Parameter	Conditions	Symbol	Value	Unit
Peak reverse voltage		V <sub>RM</sub>	15	V
DC reverse voltage		V <sub>R</sub>	10	V
Maximum (peak) forward current		I <sub>FM</sub>	200	mA
Continuous forward current		I <sub>F</sub>	100	mA
Non-repetitive peak forward surge current	8.3ms single half sine-wave superimposed on rate load (JEDEC method)	I <sub>FSM</sub>	1	A
Total power dissipation		P <sub>tot</sub>	150	mW
Operating temperature range		T <sub>op</sub>	-40 to +100	°C
Junction temperature range		T <sub>J</sub>	-40 to +125	°C
Storage temperature range		T <sub>STG</sub>	-55 to +125	°C

### Electrical Characteristics (at T<sub>A</sub>=25°C, unless otherwise noted)

Parameter	Conditions	Symbol	Min.	Typ.	Max.	Unit
Reverse breakdown voltage	I <sub>R</sub> = 50μA	V <sub>(BR)R</sub>	10			V
Forward voltage	I <sub>F</sub> = 1mA	V <sub>F</sub>		0.18		V
	I <sub>F</sub> = 5mA			0.23	0.30	
	I <sub>F</sub> = 100mA			0.35	0.50	
Reverse current	V <sub>R</sub> = 10V	I <sub>R</sub>			20	μA
Diode capacitance	V <sub>R</sub> = 0V, f=1MHz	C <sub>d</sub>		20	40	pF

Company reserves the right to improve product design, functions and reliability without notice.

REV:A

## RATING AND TYPICAL CHARACTERISTIC CURVES (1SS389-G)

Fig.1 - Power Derating Curve

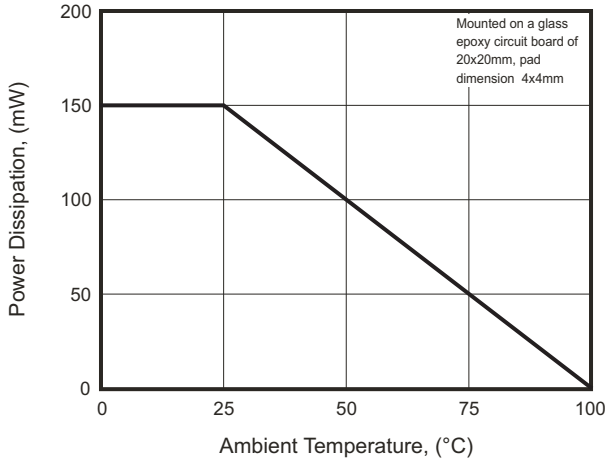


Fig.2 - Forward Characteristics

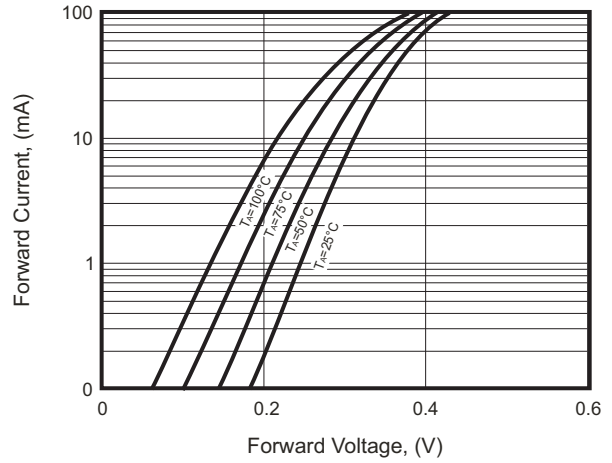


Fig.3 - Reverse Characteristics

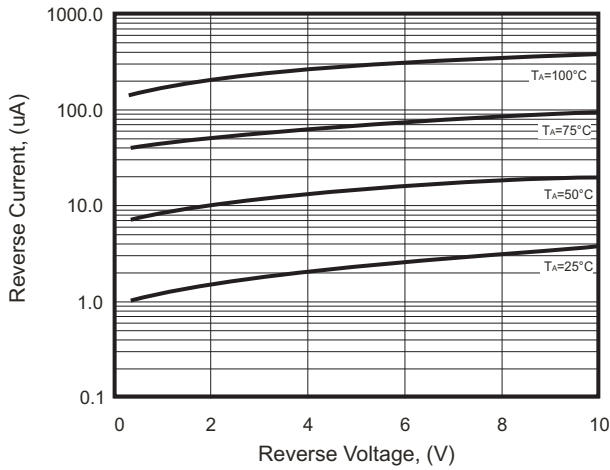
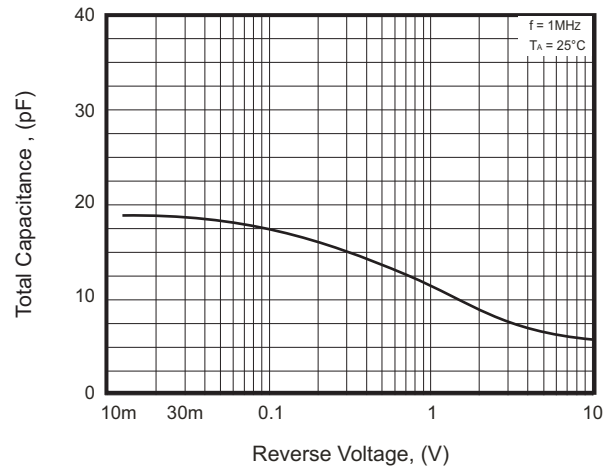
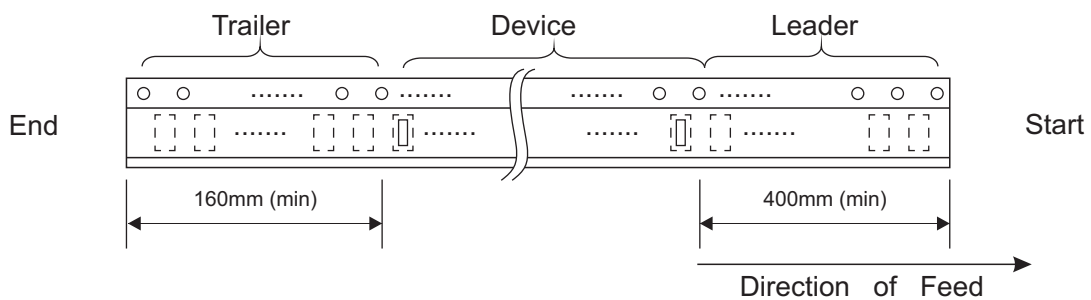
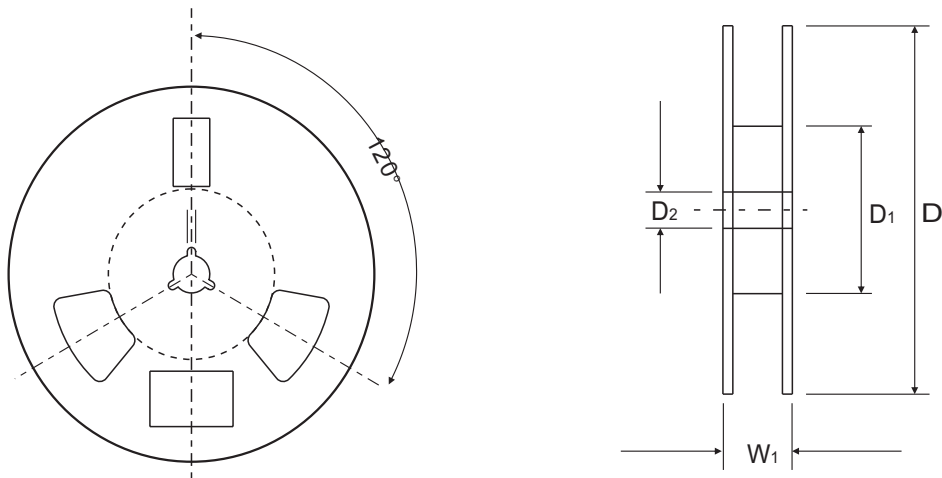
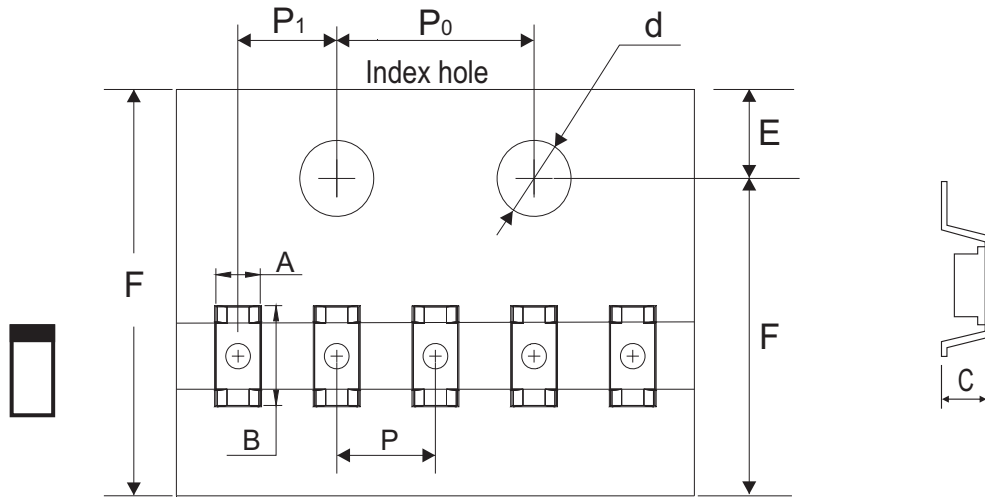


Fig.4 - Capacitance between terminals



## Reel Taping Specification



SOD-523	SYMBOL	A	B	C	d	D	D <sub>1</sub>	D <sub>2</sub>
	(mm)	0.95 ± 0.05	1.94 ± 0.05	0.73 ± 0.05	Φ1.50 ± 0.10	178.00 ± 1.00	54.00 ± 0.50	13.00 ± 0.50
	(inch)	0.037 ± 0.002	0.076 ± 0.002	0.029 ± 0.002	0.059 ± 0.004	7.008 ± 0.039	2.126 ± 0.020	0.512 ± 0.020
SOD-523	SYMBOL	E	F	P	P <sub>0</sub>	P <sub>1</sub>	W	W <sub>1</sub>
	(mm)	1.75 ± 0.10	3.50 ± 0.05	2.00 ± 0.05	4.00 ± 0.10	2.00 ± 0.05	8.00 + 0.30 / - 0.10	12.30 ± 1.00
	(inch)	0.069 ± 0.004	0.138 ± 0.002	0.079 ± 0.002	0.158 ± 0.004	0.079 ± 0.002	0.315 + 0.012 / - 0.004	0.484 ± 0.039

Company reserves the right to improve product design, functions and reliability without notice.

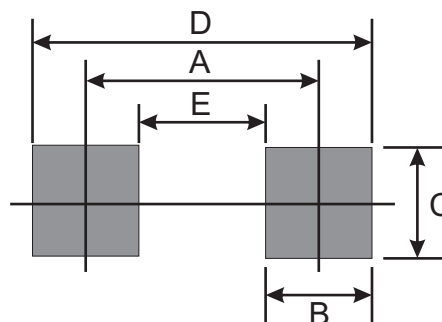
## Marking Code

Part Number	Marking Code
1SS389-G	S4



## Suggested PAD Layout

SIZE	SOD-523	
	(mm)	(inch)
A	1.40	0.055
B	0.40	0.016
C	0.40	0.016
D	1.80	0.071
E	1.00	0.039



## Standard Packaging

Case Type	REEL PACK	
	REEL ( pcs )	Reel Size (inch)
SOD-523	3,000	7

## X-ON Electronics

Largest Supplier of Electrical and Electronic Components

*Click to view similar products for [Schottky Diodes & Rectifiers](#) category:*

*Click to view products by [Comchip](#) manufacturer:*

Other Similar products are found below :

[MA4E2039](#) [D1FH3-5063](#) [MBR10100CT-BP](#) [MBR1545CT](#) [MMBD301M3T5G](#) [RB160M-50TR](#) [RB551V-30](#) [BAS16E6433HTMA1](#) [BAT](#)  
[54-02LRH E6327](#) [NSR05F40QNXT5G](#) [NTE555](#) [JANS1N6640](#) [SB07-03C-TB-H](#) [SK310-T](#) [SK32A-LTP](#) [SK33A-TP](#) [SK34B-TP](#) [SS3003CH-](#)  
[TL-E](#) [GA01SHT18](#) [CRS10I30A\(TE85L,QM](#) [MA4E2501L-1290](#) [MBRA140TRPBF](#) [MBRB30H30CT-1G](#) [SB007-03C-TB-E](#) [SK32A-TP](#)  
[SK33B-TP](#) [SK35A-TP](#) [SK38B-TP](#) [NRVBM120LT1G](#) [NTE505](#) [NTSB30U100CT-1G](#) [SS15E-TP](#) [VS-6CWQ10FNHM3](#) [ACDBA1100LR-HF](#)  
[ACDBA1200-HF](#) [ACDBA140-HF](#) [ACDBA2100-HF](#) [ACDBA3100-HF](#) [CDBQC0530L-HF](#) [CDBQC0240LR-HF](#) [BAT6202VH6327XTSA1](#)  
[ACDBA340-HF](#) [ACDBA260LR-HF](#) [ACDBA1100-HF](#) [SK310B-TP](#) [MA4E2502L-1246](#) [MA4E2502H-1246](#) [NRVBM120ET1G](#)  
[NSR01L30MXT5G](#) [NTE573](#)