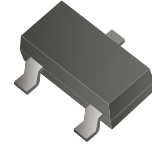


A2N7002H-HF

**N-Channel
RoHS Device
Halogen Free**



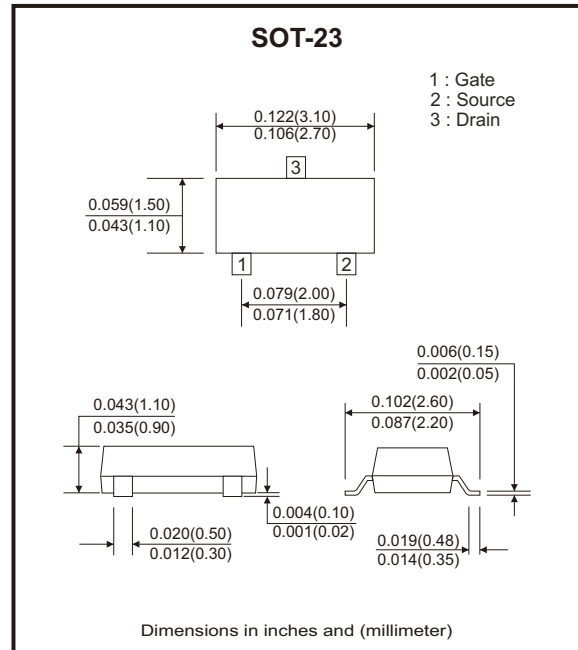
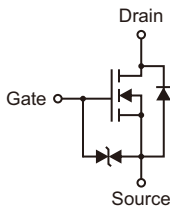
Features

- Low on-resistance.
- ESD protected gate up to 2KV HBM.
- High-speed switching.
- Drive circuits can be simple.
- Parallel use is easy.
- AEC-Q101 Qualified.

Mechanical data

- Case: SOT-23, molded plastic.
- Molding compound, UL flammability classification rating 94V-0.
- Terminals: Matte tin plated leads, solderable per MIL-STD-202, method 208.

Circuit Diagram



Maximum Rating (at TA=25°C unless otherwise noted)

Parameter	Symbol	Value	Unit
Drain-source voltage	V _{DSS}	60	V
Gate-source voltage	V _{GSS}	±20	V
Continuous drain current	I _D	300	mA
Pulsed drain current (Note 4) tp = 10µs	I _{DM}	2000	mA
Power dissipation	P _D	0.35	W
Thermal resistance junction to ambient air	R _{θJA}	357	°C/W
Thermal resistance junction to lead	R _{θJL}	234	°C/W
Thermal resistance junction to case	R _{θJC}	195	°C/W
Operating junction temperature range	T _J	-55 to +150	°C
Storage temperature range	T _{STG}	-55 to +150	°C

Company reserves the right to improve product design, functions and reliability without notice.

REV:A

Electrical Characteristics (at TA=25°C unless otherwise noted)

Parameter	Symbol	Conditions	Min	Typ	Max	Unit
Off Characteristics						
Drain-source breakdown voltage	V_{DSS}	$V_{GS} = 0V, I_D = 250\mu A$	60			V
Drain-source leakage current	I_{DSS}	$V_{DS} = 60V, V_{GS} = 0V$			1	μA
Gate-body leakage	I_{GSS}	$V_{GS} = \pm 20V, V_{DS} = 0V$			± 10	μA
On Characteristics (Note 2)						
Static drain-source on resistance	$R_{DS(ON)}$	$V_{GS} = 5V, I_D = 0.05A$ $V_{GS} = 10V, I_D = 0.5A$		1.5 1.45	3 2.5	Ω
Gate threshold voltage	$V_{GS(th)}$	$V_{DS} = V_{GS}, I_D = 250\mu A$	1	1.5	2.5	V
Dynamic Characteristics (Note 3)						
Input capacitance	C_{iss}	$V_{GS} = 0V, V_{DS} = 20V, f = 1MHz$		41		pF
Output capacitance	C_{oss}			15		
Reverse transfer capacitance	C_{rss}			4		
Switching Characteristics (Note 3)						
Turn-on delay time	$t_{d(on)}$	$V_{DD} = 30V, I_D = 0.2A,$ $V_{GS} = 10V, R_G = 25\Omega,$ $R_L = 150\Omega$		6		nS
Turn-on rise time	t_r			5		
Turn-off delay time	$t_{d(off)}$			25		
Turn-off fall time	t_f			15		
Drain-Source Diode Characteristics						
Diode forward voltage (Note 1)	V_{SD}	$I_S = 0.3A, V_{GS} = 0V$		0.85	1.2	V
Diode continuous forward current	I_S	$T_C = 25^\circ C$			0.3	A

- Notes: 1. Surface mounted on FR4 board, $t \leq 10$ sec.
 2. Pulse width $\leq 300\mu s$, duty cycle $\leq 2\%$.
 3. Guaranteed by design, not subject to production.
 4. Pulse width limited by maximum junction temperature.

Rating and Characteristic Curves (A2N7002H-HF)

Fig.1 - On-Region Characteristics

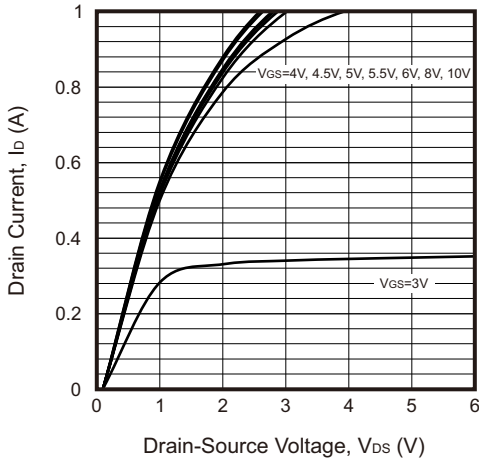


Fig.2 - On-Resistance vs. Drain Current and Gate Voltage

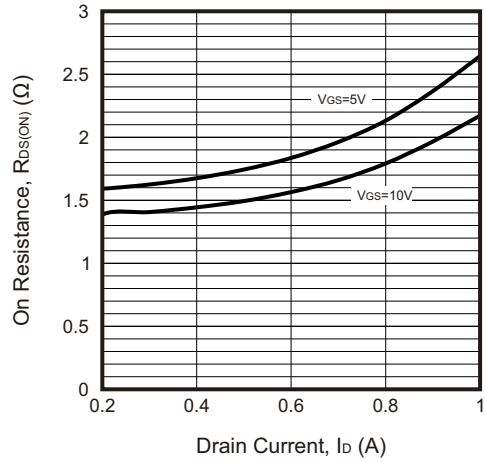


Fig.3 - On-Resistance vs. Gate-Source Voltage

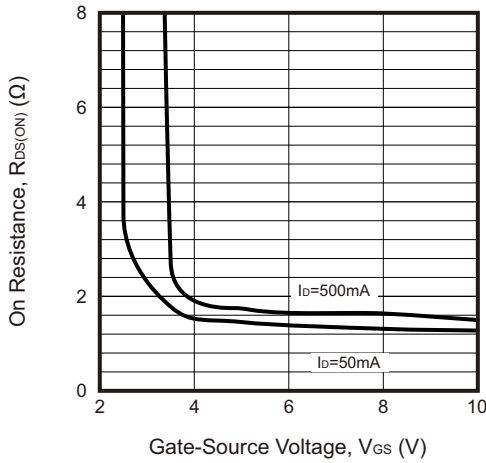


Fig.4 - Gate Voltage vs. Junction Temperature

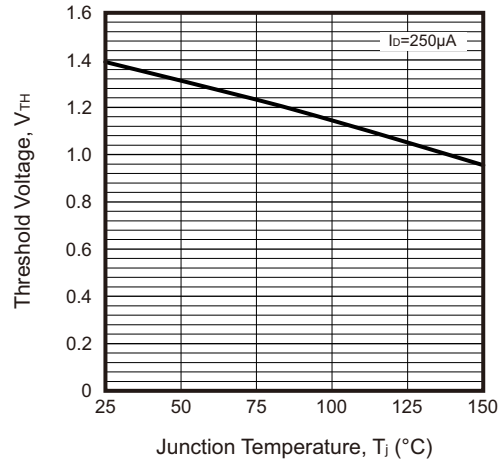


Fig.5 - On Resistance vs. Junction Temperature

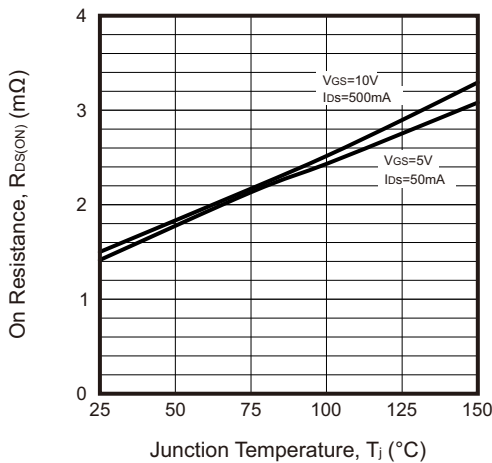
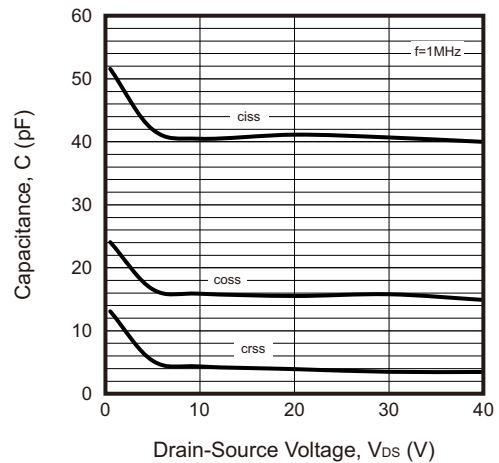
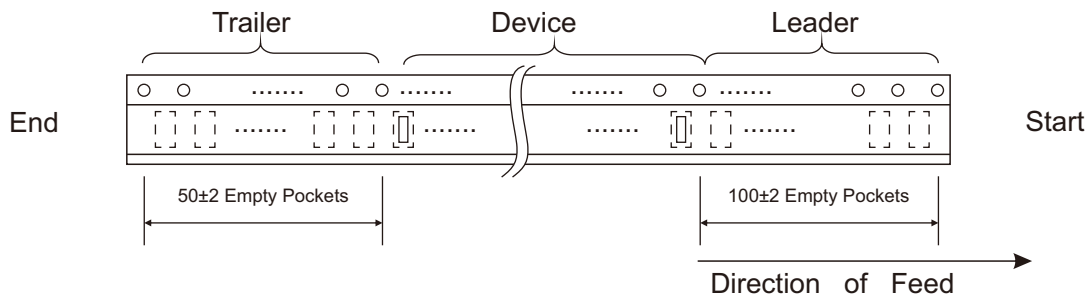
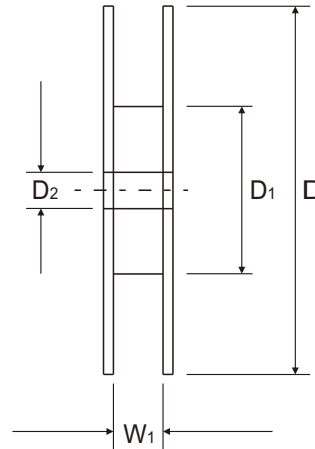
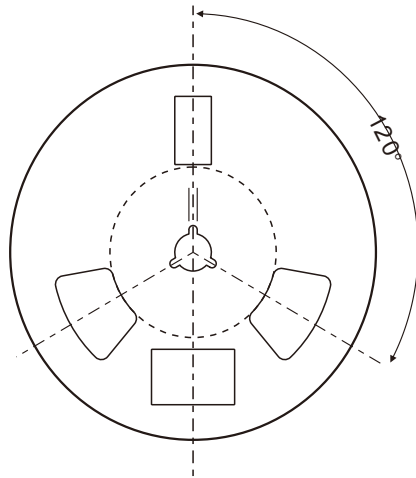
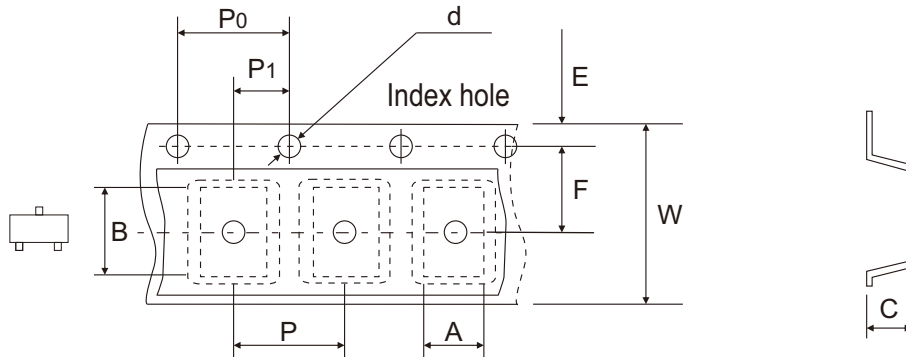


Fig.6 - Capacitance Characteristics



Company reserves the right to improve product design, functions and reliability without notice.

Reel Taping Specification



SOT-23	SYMBOL	A	B	C	d	D	D1	D2
	(mm)	3.15 ± 0.10	2.77 ± 0.10	1.22 ± 0.10	1.50 ± 0.10	178.00 ± 1.00	54.00 ± 0.50	13.00 ± 0.50
	(inch)	0.124 ± 0.004	0.109 ± 0.004	0.048 ± 0.004	0.059 ± 0.004	7.008 ± 0.039	2.126 ± 0.020	0.512 ± 0.020

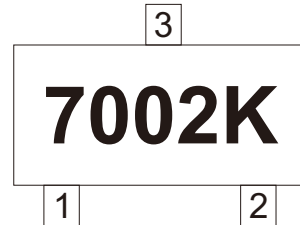
SOT-23	SYMBOL	E	F	P	P0	P1	W	W1
	(mm)	1.75 ± 0.10	3.50 ± 0.05	4.00 ± 0.10	4.00 ± 0.10	2.00 ± 0.05	8.00 + 0.30 - 0.10	9.50 ± 1.00
	(inch)	0.069 ± 0.004	0.138 ± 0.002	0.157 ± 0.004	0.157 ± 0.004	0.079 ± 0.002	0.315 + 0.012 - 0.004	0.374 ± 0.039

Company reserves the right to improve product design , functions and reliability without notice.

REV:A

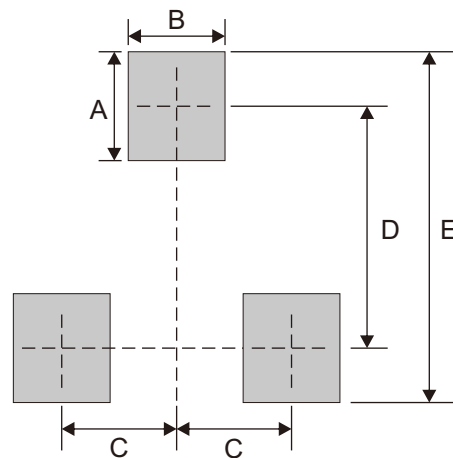
Marking Code

Part Number	Marking Code
A2N7002H-HF	7002K



Suggested PAD Layout

SIZE	SOT-23	
	(mm)	(inch)
A	0.90	0.035
B	0.80	0.031
C	0.95	0.037
D	2.00	0.079
E	2.90	0.114



Note: 1. The pad layout is for reference purposes only.

Standard Packaging

Case Type	REEL PACK	
	REEL (pcs)	Reel Size (inch)
SOT-23	3,000	7

X-ON Electronics

Largest Supplier of Electrical and Electronic Components

Click to view similar products for [MOSFET](#) category:

Click to view products by [Comchip](#) manufacturer:

Other Similar products are found below :

[614233C](#) [648584F](#) [IRFD120](#) [JANTX2N5237](#) [2N7000](#) [FCA20N60_F109](#) [FDZ595PZ](#) [2SK2545\(Q,T\)](#) [405094E](#) [423220D](#)
[TPCC8103,L1Q\(CM](#) [MIC4420CM-TR](#) [VN1206L](#) [614234A](#) [715780A](#) [NTNS3166NZT5G](#) [SSM6J414TU,LF\(T](#) [751625C](#)
[IPS70R2K0CEAKMA1](#) [BUK954R8-60E](#) [DMN3404LQ-7](#) [NTE6400](#) [SQJ402EP-T1-GE3](#) [2SK2614\(TE16L1,Q\)](#) [2N7002KW-FAI](#)
[DMN1017UCP3-7](#) [EFC2J004NUZTDG](#) [ECH8691-TL-W](#) [FCAB21350L1](#) [P85W28HP2F-7071](#) [DMN1053UCP4-7](#) [NTE221](#) [NTE2384](#)
[NTE2903](#) [NTE2941](#) [NTE2945](#) [NTE2946](#) [NTE2960](#) [NTE2967](#) [NTE2969](#) [NTE2976](#) [NTE455](#) [NTE6400A](#) [NTE2910](#) [NTE2916](#) [NTE2956](#)
[NTE2911](#) [US6M2GTR](#) [TK10A80W,S4X\(S](#) [SSM6P69NU,LF](#)