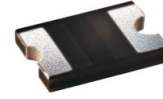


ACDBCT320-HF Thru. ACDBCT3100-HF

Forward current: 3.0A

Reverse voltage: 20 to 100V

RoHS Device
Halogen Free

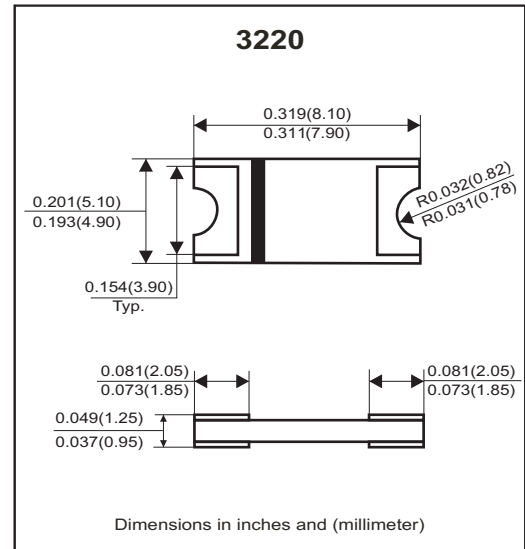


Features

- Lead less chip form, no lead damage.
- Low power loss, High efficiency.
- High current capability, low V_F
- Plastic package has UL 94V-0.
- Comply with AEC-Q101

Mechanical Data

- Case: Packed with FRP substrate and epoxy underfilled.
- Terminals: Pure Tin plated (Lead-Free), solderable per MIL-STD-750, method 2026.
- Polarity: Laser cathode band marking.
- Weight: 0.093 grams (approx).



Circuit diagram



Maximum Ratings (At $T_a=25^\circ\text{C}$, unless otherwise noted)

Parameter	Symbol	ACDBCT320-HF	ACDBCT340-HF	ACDBCT360-HF	ACDBCT3100-HF	Unit
Non-repetitive peak reverse voltage	V_{RM}	20	40	60	100	V
Average forward current	$I_{F(AV)}$	3				A
Peak forward surge current @8.3ms single half sine-wave	I_{FSM}	100				A
Operating junction temperature range	T_J	-55 to +125		-55 to +150		$^\circ\text{C}$
Storage temperature	T_{STG}	-55 ~ +150				$^\circ\text{C}$

Electrical Characteristics (At $T_a=25^\circ\text{C}$, unless otherwise noted)

Parameter	Conditions	Type	Symbol	Min.	Typ.	Max.	Unit
Forward voltage (Note1)	$I_F=0.5\text{A}$ $I_F=1.0\text{A}$ $I_F=3.0\text{A}$	ACDBCT320-HF ACDBCT340-HF	V_F	-	0.33	-	V
				-	0.38	-	
				-	0.47	0.50	
	$I_F=0.5\text{A}$ $I_F=1.0\text{A}$ $I_F=3.0\text{A}$	ACDBCT360-HF		-	0.38	-	
				-	0.48	-	
				-	0.65	0.70	
	$I_F=0.5\text{A}$ $I_F=1.0\text{A}$ $I_F=3.0\text{A}$	ACDBCT3100-HF		-	0.48	-	
				-	0.58	-	
				-	0.78	0.85	
Reverse peak reverse current	$V_R=\text{Max. } V_{RRM}, T_a=25^\circ\text{C}$		I_{RRM}	-	0.025	0.5	mA
Junction capacitance	$V_R=4\text{V}, f=1.0\text{MHz}$		C_j	-	180	-	pF
Thermal resistance	Junction to ambient (Note 2)		$R_{\theta JA}$	-	55	-	$^\circ\text{C/W}$
	Junction to lead (Note 2)		$R_{\theta JL}$	-	17	-	$^\circ\text{C/W}$

Notes: (1) Pulse test width $p_w=300\mu\text{sec}$, 1% duty cycle.

(2) Mounted on P.C. board with $0.2 \times 0.2 \text{ (} 5.0 \times 5.0 \text{ mm)}$ copper pad areas.

Company reserves the right to improve product design, functions and reliability without notice.

REV:C

RATING AND CHARACTERISTIC CURVES (ACDBCT320-HF Thru. ACDBCT3100-HF)

Fig.1 - Typical Forward Current Derating Curve

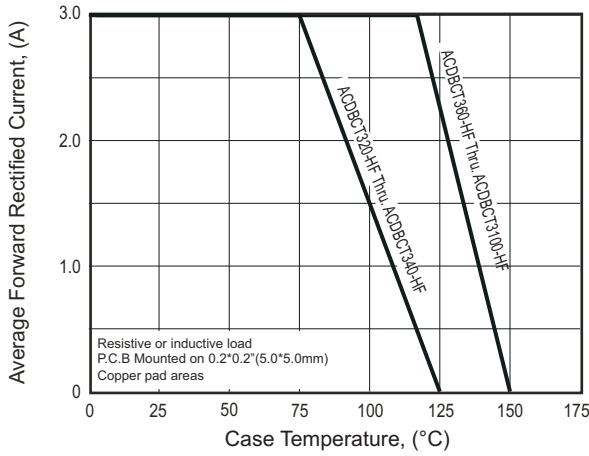


Fig.2 - Maximum Non-Repetitive Peak Forward Surge Current

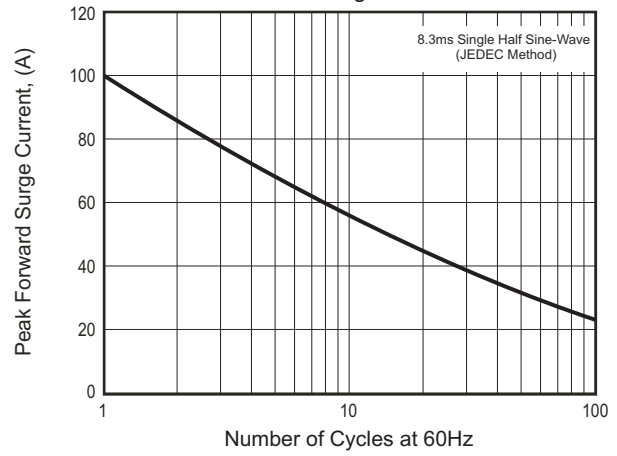


Fig.3 - Typical Instantaneous Forward Characteristics

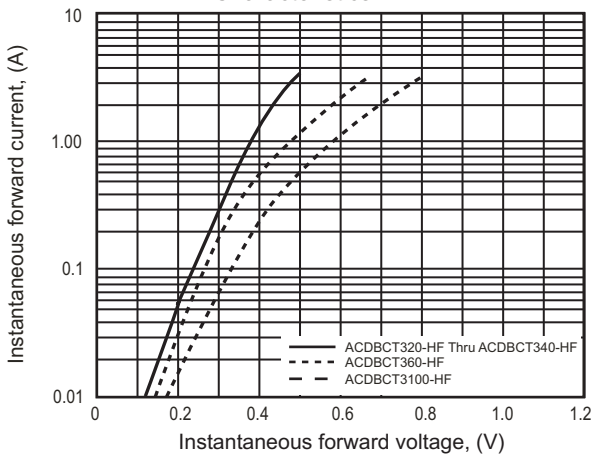


Fig.4 - Typical Reverse Characteristics

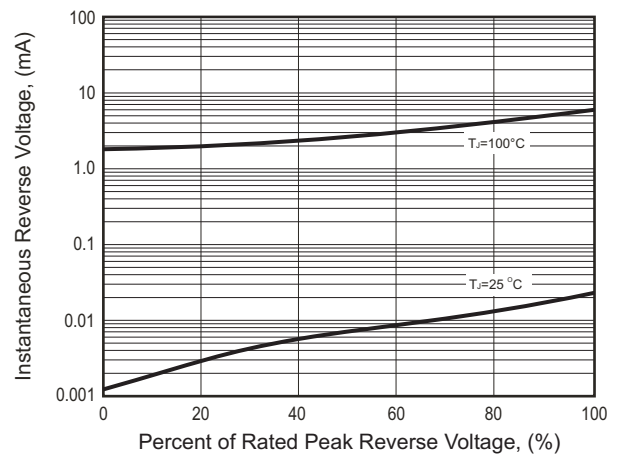
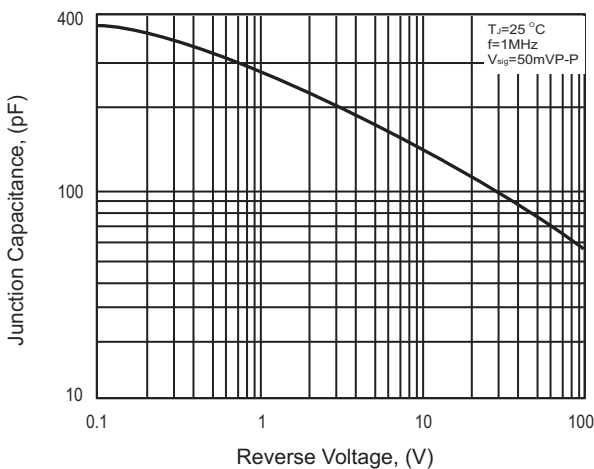
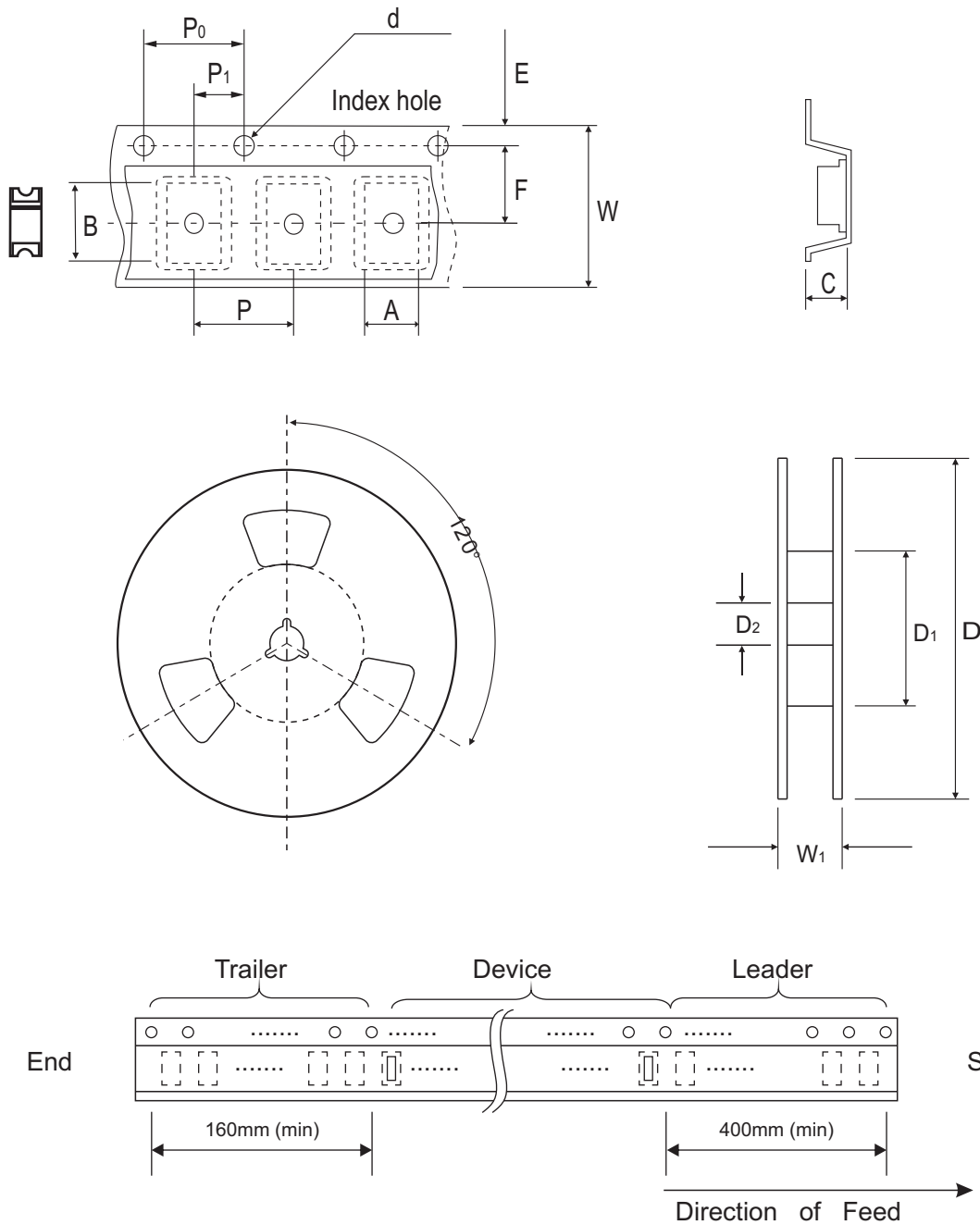


Fig.5 - Typical Junction Capacitance



Reel Taping Specification

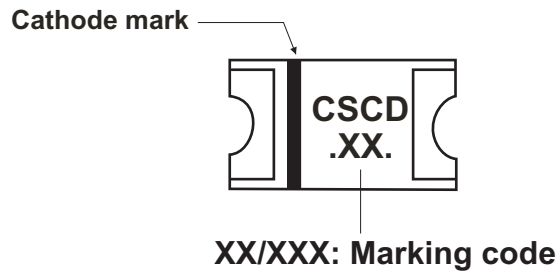


3220	SYMBOL	A	B	C	d	D	D ₁	D ₂
	(mm)	5.56 ± 0.10	8.18 ± 0.10	2.16 ± 0.10	1.55 ± 0.05	330 ± 2.00	50.0 MIN.	13.0 ± 0.50
	(inch)	0.219 ± 0.004	0.322 ± 0.004	0.085 ± 0.004	0.061 ± 0.002	12.992 ± 0.079	1.969 MIN.	0.512 ± 0.020

3220	SYMBOL	E	F	P	P ₀	P ₁	W	W ₁
	(mm)	1.75 ± 0.10	7.50 ± 0.10	8.00 ± 0.10	4.00 ± 0.10	2.00 ± 0.10	16.00 ± 0.30	22.70 MAX.
	(inch)	0.069 ± 0.004	0.295 ± 0.004	0.315 ± 0.004	0.157 ± 0.004	0.079 ± 0.004	0.630 ± 0.012	0.893 MAX.

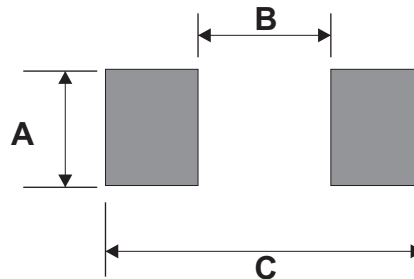
Marking Code

Part Number	Marking Code
ACDBCT320-HF	32
ACDBCT340-HF	34
ACDBCT360-HF	36
ACDBCT3100-HF	310



Suggested PAD Layout

SIZE	3220	
	(mm)	(inch)
A	3.90MIN.	0.154MIN.
B	4.10MAX.	0.161MAX.
C	11.90REF.	0.469 REF.



Standard Packaging

Case Type	REEL PACK	
	REEL (pcs)	Reel Size (inch)
3220	3,000	13

X-ON Electronics

Largest Supplier of Electrical and Electronic Components

Click to view similar products for [Schottky Diodes & Rectifiers](#) category:

Click to view products by [Comchip](#) manufacturer:

Other Similar products are found below :

[MA4E2039](#) [D1FH3-5063](#) [MBR10100CT-BP](#) [MBR1545CT](#) [MMBD301M3T5G](#) [RB160M-50TR](#) [RB551V-30](#) [BAS16E6433HTMA1](#) [BAT](#)
[54-02LRH E6327](#) [NSR05F40QNXT5G](#) [NTE555](#) [JANS1N6640](#) [SB07-03C-TB-H](#) [SK310-T](#) [SK32A-LTP](#) [SK33A-TP](#) [SK34B-TP](#) [SS3003CH-](#)
[TL-E](#) [GA01SHT18](#) [CRS10I30A\(TE85L,QM](#) [MA4E2501L-1290](#) [MBRA140TRPBF](#) [MBRB30H30CT-1G](#) [SB007-03C-TB-E](#) [SK32A-TP](#)
[SK33B-TP](#) [SK35A-TP](#) [SK38B-TP](#) [NRVBM120LT1G](#) [NTE505](#) [NTSB30U100CT-1G](#) [SS15E-TP](#) [VS-6CWQ10FNHM3](#) [ACDBA1100LR-HF](#)
[ACDBA1200-HF](#) [ACDBA140-HF](#) [ACDBA2100-HF](#) [ACDBA3100-HF](#) [CDBQC0530L-HF](#) [CDBQC0240LR-HF](#) [BAT6202VH6327XTSA1](#)
[ACDBA340-HF](#) [ACDBA260LR-HF](#) [ACDBA1100-HF](#) [SK310B-TP](#) [MA4E2502L-1246](#) [MA4E2502H-1246](#) [NRVBM120ET1G](#)
[NSR01L30MXT5G](#) [NTE573](#)