

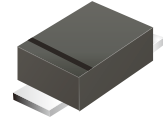
ACDBMS240-HF Thru. ACDBMS2100-HF

Reverse Voltage: 40 to 100 Volts

Forward Current: 2.0 Amp

RoHS Device

Halogen Free

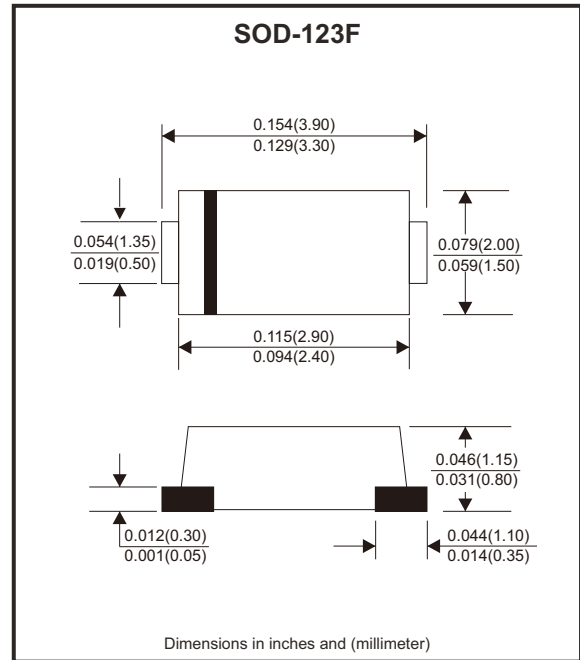


Features

- Ideal for surface mount applications.
- Easy pick and place.
- Built-in strain relief.
- Fast switching speed.
- AEC-Q101 Qualified

Mechanical data

- Epoxy: UL 94V-0 rated flame retardant.
- Case: SOD-123F, molded plastic.
- Terminals: Lead Free Plating (Tin Finish)
Solderable per MIL-STD-202, method 208.
- Polarity: Indicated by cathode band.
- Weight: 0.022 grams (approx.).



Circuit diagram



Maximum Ratings (at TA=25°C unless otherwise noted)

Parameter	Symbol	ACDBMS240-HF	ACDBMS260-HF	ACDBMS2100-HF	Unit
Max. Repetitive peak reverse voltage	V _{RRM}	40	60	100	V
Max. RMS voltage	V _{RMS}	28	42	70	V
Max. DC blocking voltage	V _{DC}	40	60	100	V
Max. Average forward rectified current	I _F	2			A
Peak forward surge current, 8.3ms single half sine-wave superimposed on rated load (JEDEC methode)	I _{FSM}	40			A
Max. Instantaneous forward voltage I _F =2A @TA=25°C	V _F	0.52	0.66	0.83	V
Max. DC reverse current @TA=25°C at Rated DC blocking voltage @TA=100°C	I _R	0.5 30		0.2 15	mA
Typical junction capacitance (Note 1)	C _J	180	95	60	pF
Typical thermal resistance	R _{θJC}	35			°C/W
Operating temperature range	T _J	-55 to +125		-55 to +150	°C
Storage temperature range	T _{STG}	-55 to +150			°C

Note: 1. Measured at 1.0MHZ and applied reverse voltage of 4V DC.

Company reserves the right to improve product design , functions and reliability without notice.

Rating and Characteristic Curves (ACDBMS240-HF Thru. ACDBMS2100-HF)

Fig.1 - Typical Forward Current Derating Curve

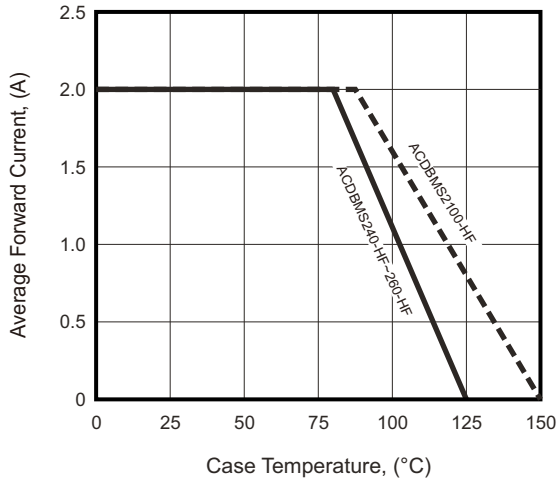


Fig.2 - Typical Forward Characteristics

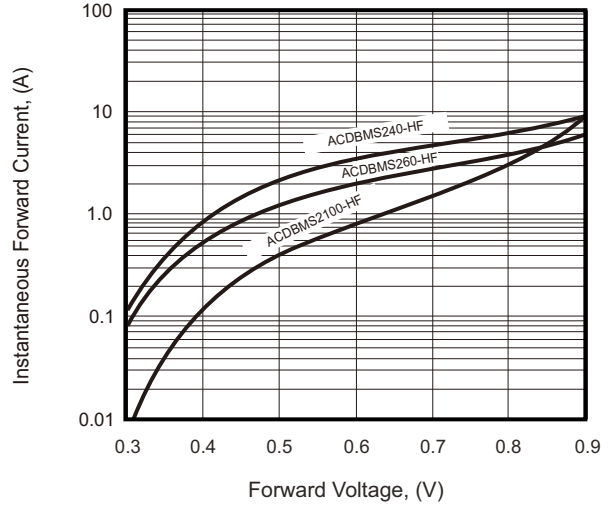


Fig.3 - Maximum Non-repetitive Forward Surge Current

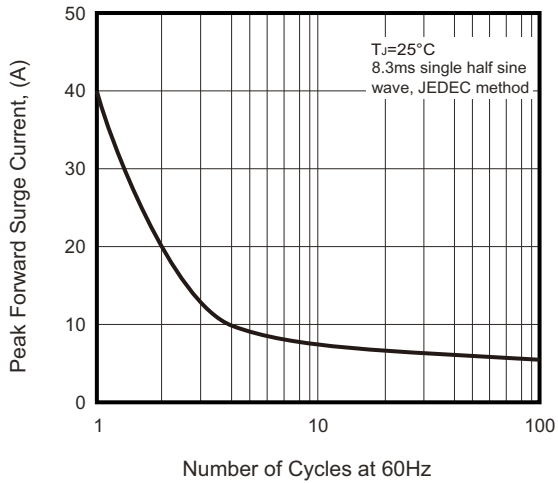


Fig.4 - Typical Reverse Characteristics

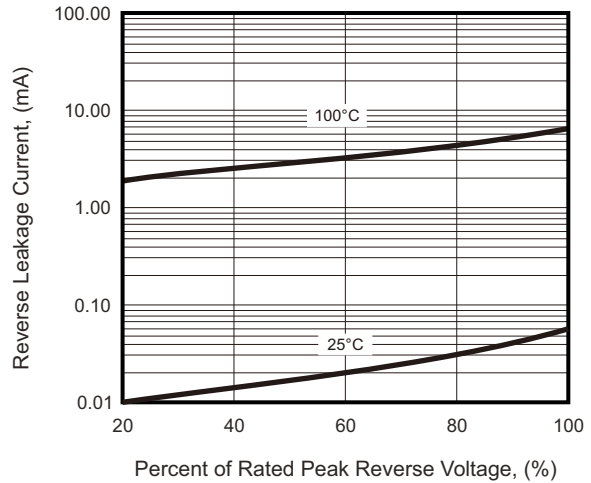
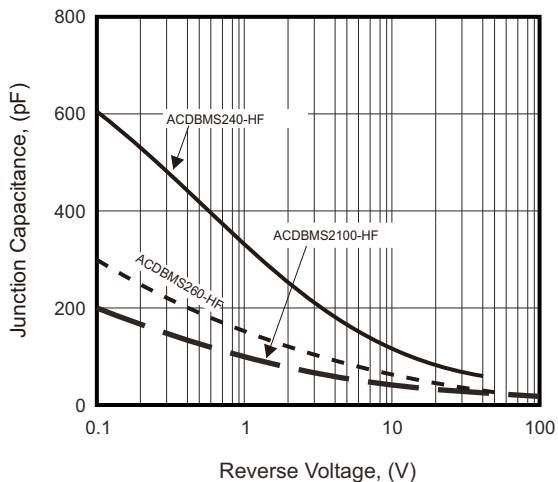
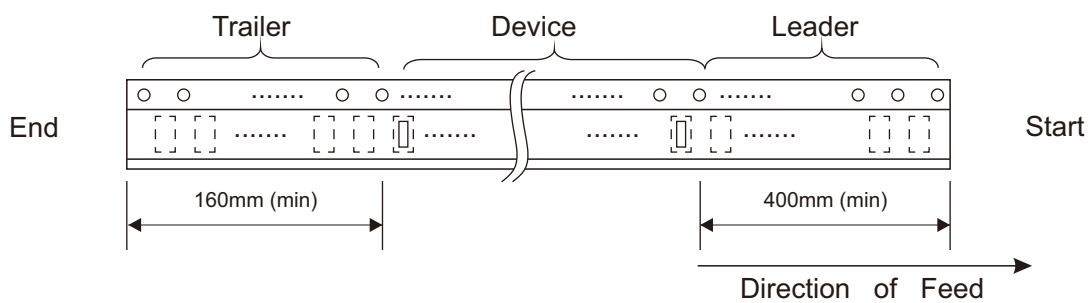
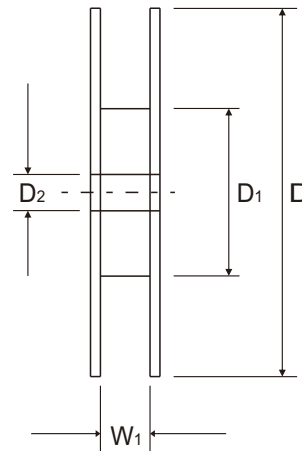
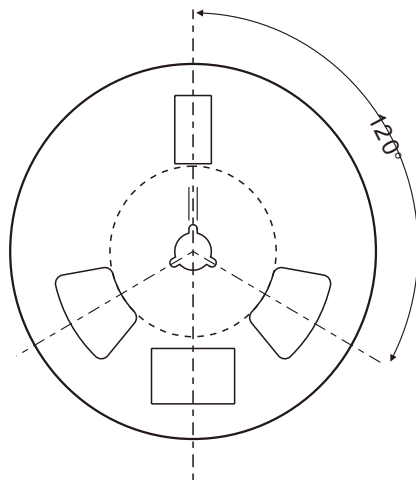
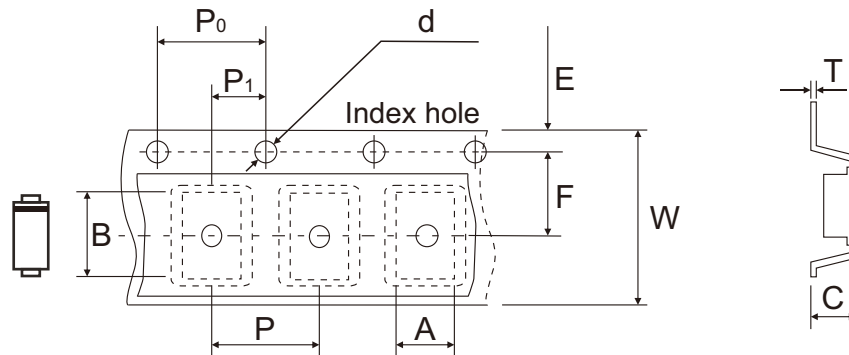


Fig.5 - Typical Junction Capacitance



Company reserves the right to improve product design, functions and reliability without notice.

Reel Taping Specification



SOD-123F	SYMBOL	A	B	C	d	D	D1	D2
	(mm)	2.05 ± 0.10	4.01 ± 0.10	1.32 ± 0.10	2.00 ± 0.10	178 Max.	50 Min.	13.30 ± 1.00
(inch)	0.081 ± 0.004	0.158 ± 0.004	0.052 ± 0.004	0.079 ± 0.004	7.008 Max.	1.969 Min.	0.524 ± 0.039	

SOD-123F	SYMBOL	E	F	P	P0	P1	T	W	W1
	(mm)	1.75 ± 0.10	3.50 ± 0.10	4.00 ± 0.10	4.00 ± 0.10	2.00 ± 0.05	0.24 ± 0.03	8.00 ± 0.30	9.30 ± 1.00
(inch)	0.069 ± 0.004	0.138 ± 0.004	0.157 ± 0.004	0.157 ± 0.004	0.079 ± 0.002	0.009 ± 0.001	0.315 ± 0.012	0.366 ± 0.039	

Company reserves the right to improve product design, functions and reliability without notice.

REV:A

Marking Code

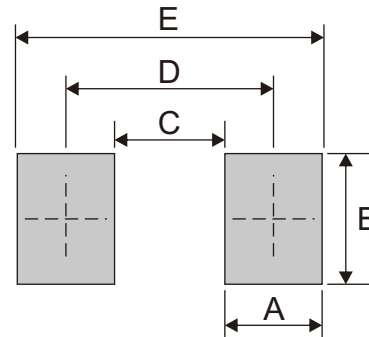
Part Number	Marking Code
ACDBMS240-HF	T4.
ACDBMS260-HF	T6.
ACDBMS2100-HF	TA.



XX = Product type marking code
“.” = Halogen Free

Suggested PAD Layout

SIZE	SOD-123F	
	(mm)	(inch)
A	1.34	0.053
B	1.80	0.071
C	1.52	0.060
D	2.86	0.113
E	4.25	0.167



Note: 1. The pad layout is for reference purposes only.

Standard Packaging

Case Type	REEL PACK	
	REEL (pcs)	Reel Size (inch)
SOD-123F	3,000	7

X-ON Electronics

Largest Supplier of Electrical and Electronic Components

Click to view similar products for [Schottky Diodes & Rectifiers](#) category:

Click to view products by [Comchip](#) manufacturer:

Other Similar products are found below :

[MA4E2039](#) [D1FH3-5063](#) [MBR10100CT-BP](#) [MBR1545CT](#) [MMBD301M3T5G](#) [RB160M-50TR](#) [RB551V-30](#) [BAS16E6433HTMA1](#) [BAT54-02LRH](#) [E6327](#) [NSR05F40QNXT5G](#) [NTE555](#) [JANS1N6640](#) [SB07-03C-TB-H](#) [SB1003M3-TL-W](#) [SBM30-03-TR-E](#) [SK310-T](#) [SK32A-LTP](#) [SK33A-TP](#) [SK34B-TP](#) [SS3003CH-TL-E](#) [GA01SHT18](#) [CRS10I30A\(TE85L,QM](#) [MA4E2501L-1290](#) [MBRB30H30CT-1G](#) [SB007-03C-TB-E](#) [SK32A-TP](#) [SK33B-TP](#) [SK35A-TP](#) [SK38B-TP](#) [NRVBM120LT1G](#) [NTE505](#) [NTSB30U100CT-1G](#) [SS15E-TP](#) [VS-6CWQ10FNHM3](#) [ACDBA1100LR-HF](#) [ACDBA1200-HF](#) [ACDBA140-HF](#) [ACDBA2100-HF](#) [ACDBA3100-HF](#) [CDBQC0530L-HF](#) [CDBQC0240LR-HF](#) [BAT6202VH6327XTSA1](#) [ACDBA340-HF](#) [ACDBA260LR-HF](#) [ACDBA1100-HF](#) [SK310B-TP](#) [MA4E2502L-1246](#) [MA4E2502H-1246](#) [NRVBM120ET1G](#) [NSR01L30MXT5G](#)