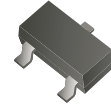


ACPDH3-5V0UB-HF

RoHS Device

Halogen Free

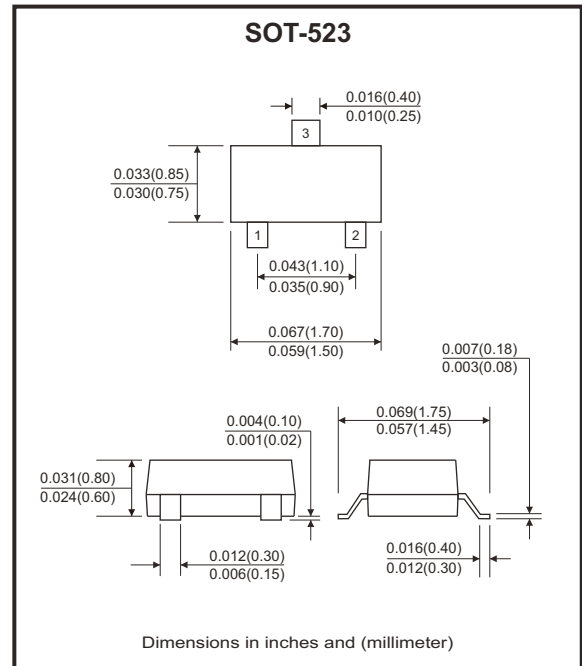


Features

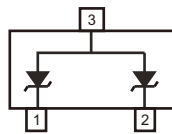
- Designed to replace polymer TVS.
- Protects up to two I/O lines.
- Ultra-low capacitance (<1pF).
- Low leakage current and clamping voltage.
- Low operating voltage: 5V.
- Solid-state silicon-avalanche technology.
- Transient protection for high-speed data lines to IEC 61000-4-2 (ESD) $\pm 15\text{kV}$ (air), $\pm 8\text{kV}$ (contact) IEC 61000-4-4 (EFT) 40A (5/50ns)
- AEC-Q101 Qualified.

Mechanical data

- Case: SOT-523 package, molded plastic.
- Epoxy: UL flammability classification rating 94V-0.
- Terminals: Tin plated leads, solderable per MIL-STD-202, method 208.



Circuit Diagram



Maximum Rating (at $T_A=25^\circ\text{C}$ unless otherwise noted)

Parameter	Symbol	Value	Unit
Electrostatic discharge voltage (IEC 61000-4-2 contact discharge) (IEC 61000-4-2 air discharge)	BV_{ESD}	± 8 ± 15	kV
Peak pulse power dissipation ($t_p=8/20\mu\text{s}$)	P_{PP}	80	W
Peak pulse current ($t_p=8/20\mu\text{s}$)	I_{PP}	4	A
Junction temperature	T_J	125	$^\circ\text{C}$
Storage and operating temperature range	T_{STG}, T_{amb}	-55 ~ +150	$^\circ\text{C}$

Electrical Characteristics (at TA=25°C unless otherwise noted)

Parameter	Conditions	Symbol	Min	Typ	Max	Unit
Reverse stand-off voltage	Pin 1 or Pin 2 to Pin 3 and between Pins 1 and 2	V_{RWM}			5	V
Reverse breakdown voltage	$I_R = 1mA$ Pin 1 or Pin 2 to Pin 3 and between Pins 1 and 2	V_{BR}	6			V
Reverse leakage current	$V_{RWM} = 5V$ Pin 1 or Pin 2 to Pin 3 and between Pins 1 and 2	I_R			1	μA
Clamping voltage	$I_{PP} = 1A, t_p = 8/20\mu s$ Pin 1 to Pin 2	V_C			15	V
	$I_{PP} = 4A, t_p = 8/20\mu s$ Pin 1 or Pin 2 to Pin 3				17	
	$I_{PP} = 4A, t_p = 8/20\mu s$ Pin 1 to Pin 2				20	
Diode capacitance	$V_R = 0V, f = 1MHz$	Pin 1 to Pin 2		0.6	0.9	pF
		Pin 1 or Pin 2 to Pin 3			1.2	

Rating and Characteristic Curves (ACPDH3-5V0UB-HF)

Fig.1 - 8/20 μs Peak Pulse Current Waveform Acc. IEC 61000-4-5

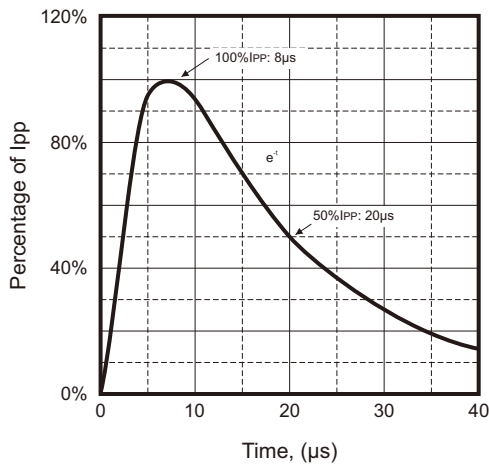
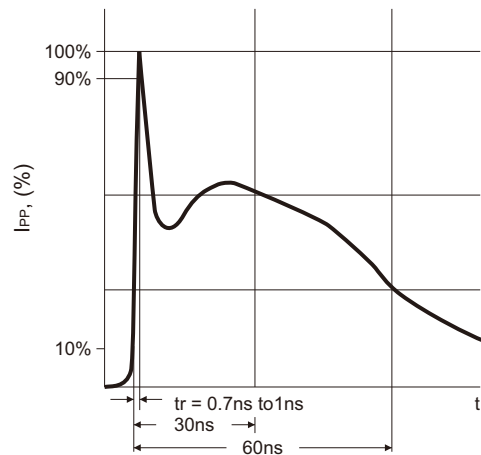
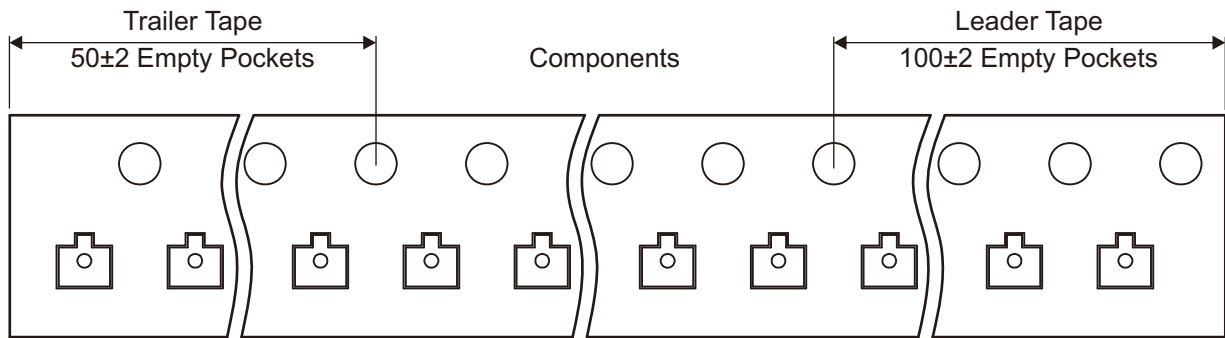
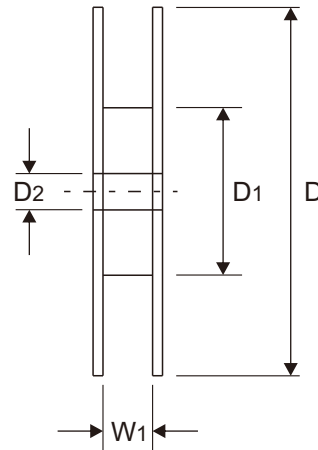
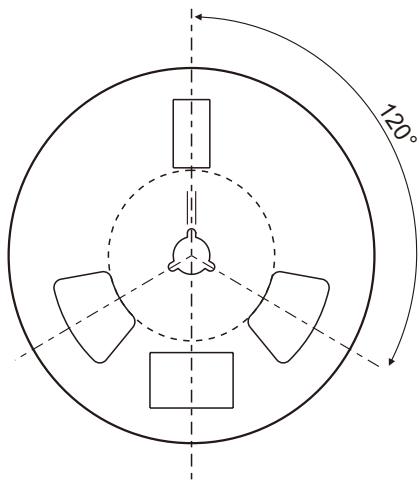
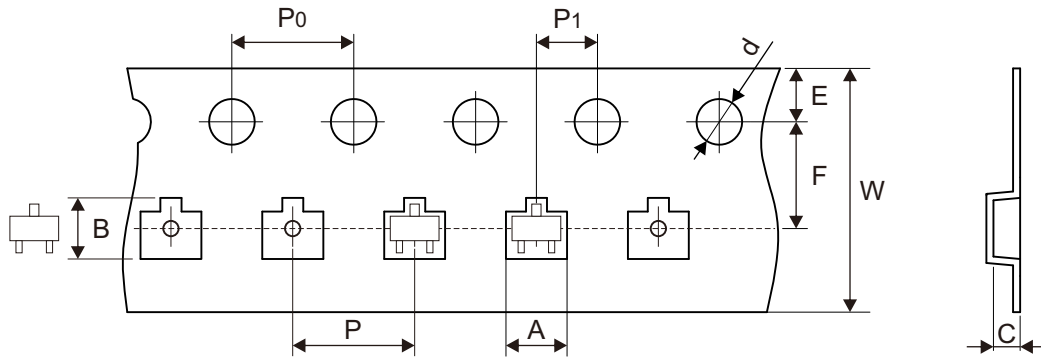


Fig.2 - ESD Pulse Waveform According to IEC 61000-4-2



Reel Taping Specification

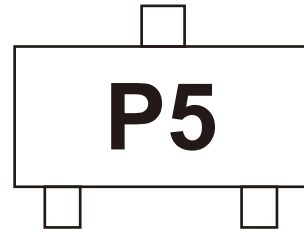


SOT-523	SYMBOL	A	B	C	d	D	D1	D2
	(mm)	1.85 ± 0.05	1.85 ± 0.05	0.875 ± 0.05	1.50 ± 0.10	178.00 ± 1.00	54.00 ± 0.50	13.00 ± 0.50
	(inch)	0.073 ± 0.002	0.073 ± 0.002	0.034 ± 0.002	0.059 ± 0.004	7.008 ± 0.039	2.126 ± 0.020	0.512 ± 0.020

SOT-523	SYMBOL	E	F	P	P0	P1	W	W1
	(mm)	1.75 ± 0.10	3.50 ± 0.05	4.00 ± 0.10	4.00 ± 0.10	2.00 ± 0.05	8.00 + 0.20 - 0.10	9.50 ± 1.00
	(inch)	0.069 ± 0.004	0.138 ± 0.002	0.157 ± 0.004	0.157 ± 0.004	0.079 ± 0.002	0.315 + 0.008 - 0.004	0.374 ± 0.039

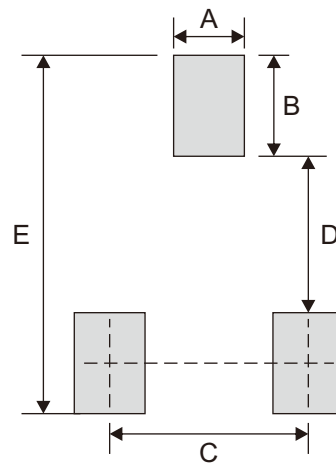
Marking Code

Part Number	Marking Code
ACPDH3-5V0UB-HF	P5



Suggested P.C.B. PAD Layout

SIZE	SOT-523	
	(mm)	(inch)
A	0.356	0.014
B	0.508	0.020
C	1.00	0.039
D	0.787	0.031
E	1.803	0.071



Standard Packaging

Case Type	REEL PACK	
	REEL (pcs)	Reel Size (inch)
SOT-523	3,000	7

X-ON Electronics

Largest Supplier of Electrical and Electronic Components

Click to view similar products for [ESD Suppressors / TVS Diodes](#) category:

Click to view products by [Comchip](#) manufacturer:

Other Similar products are found below :

[60KS200C](#) [D18V0L1B2LP-7B](#) [D5V0F4U5P5-7](#) [NTE4902](#) [P4KE27CA](#) [P6KE11CA](#) [P6KE8.2A](#) [SA60CA](#) [SA64CA](#) [SMBJ12CATR](#)
[SMBJ33CATR](#) [SMBJ6.5A](#) [SMBJ8.0A](#) [ESD101-B1-02ELS E6327](#) [ESD112-B1-02EL E6327](#) [ESD7451N2T5G](#) [19180-510](#) [CPDT-5V0USP-](#)
[HF](#) [3.0SMCJ33CA-F](#) [3.0SMCJ36A-F](#) [HSPC16701B02TP](#) [JANTX1N6126A](#) [D3V3Q1B2DLP3-7](#) [D55V0M1B2WS-7](#) [SCM1293A-04SO](#)
[ESD200-B1-CSP0201 E6327](#) [SM12-7](#) [CEN955 W/DATA](#) [VESD12A1A-HD1-GS08](#) [CPDQC5V0-HF](#) [D1213A-01LP4-7B](#) [ESD101-B1-02EL](#)
[E6327](#) [AOZ8808DI-03](#) [5KP15A](#) [5KP48A](#) [5KP90A](#) [ESD3V3D7-TP](#) [15KPA36A-LF](#) [P4KE56CA](#) [P4KE68A](#) [P4KE91CATR](#) [P6KE120A](#)
[P6KE13CA](#) [P6KE43CA](#) [P6KE6.8CA](#) [P6KE8.2](#) [P6SMBJ20CA](#) [JANTX1N6072A](#) [SR2835ESKG](#) [SA90CA](#)