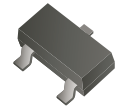


AS9013-L-HF/H-HF/J-HF (NPN)

RoHS Device

Halogen Free

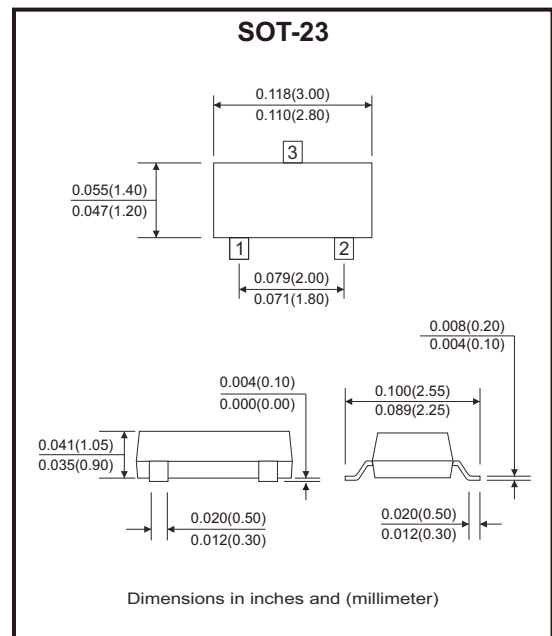


Features

- Epoxy meets UL-94 V-0 flammability rating.
- Moisture sensitivity Level 1.
- AEC-Q101 Qualified.

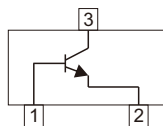
Mechanical data

- Case: SOT-23, molded plastic.
- Terminals: Tin plated leads, solderable per J-STD-002 and JESD22-B102.



Circuit Diagram

1. Base
2. Emitter
3. Collector



Maximum Ratings (at T_A=25°C unless otherwise noted)

Parameter	Symbol	Value	Unit
Collector-base voltage	V _{CBO}	40	V
Collector-emitter voltage	V _{CEO}	25	V
Emitter-base voltage	V _{EBO}	5	V
Collector current-continuous	I _C	500	mA
Total device dissipation	P _D	300	mW
Maximum junction temperature	T _J	150	°C
Storage temperature range	T _{STG}	-55 to +150	°C

Electrical Characteristics (at TA=25°C unless otherwise noted)

Parameter	Symbol	Conditions	Min	Max	Unit
Collector-base breakdown voltage	$V_{(BR)CBO}$	$I_C = 100\mu A, I_E = 0$	40		V
Collector-emitter breakdown voltage	$V_{(BR)CEO}$	$I_C = 1mA, I_B = 0$	25		V
Emitter-base breakdown voltage	$V_{(BR)EBO}$	$I_E = 100\mu A, I_C = 0$	5		V
Collector cut-off current	I_{CBO}	$V_{CB} = 40V, I_E = 0$		100	nA
Collector cut-off current	I_{CEO}	$V_{CE} = 20V, I_B = 0$		100	nA
Emitter cut-off current	I_{EBO}	$V_{EB} = 5V, I_C = 0$		100	nA
DC current gain	$h_{FE(1)}$	$V_{CE} = 1V, I_C = 50mA$	120	400	
	$h_{FE(2)}$	$V_{CE} = 1V, I_C = 500mA$	40		
Collector-emitter saturation voltage	$V_{CE(sat)}$	$I_C = 500mA, I_B = 50mA$		0.6	V
Base-emitter saturation voltage	$V_{BE(sat)}$	$I_C = 500mA, I_B = 50mA$		1.2	V
Small-signal characteristics					
Transition frequency	f_T	$V_{CE} = 6V_{dc}, I_C = 20mA, f = 30MHz$	150		MHz

Classification of hFE (1)

Rank	AS9013-L-HF	AS9013-H-HF	AS9013-J-HF
Range	120-200	200-350	300-400

Rating and Characteristic Curves (AS9013-L-HF/H-HF/J-HF)

Fig.1 - Static Characteristic

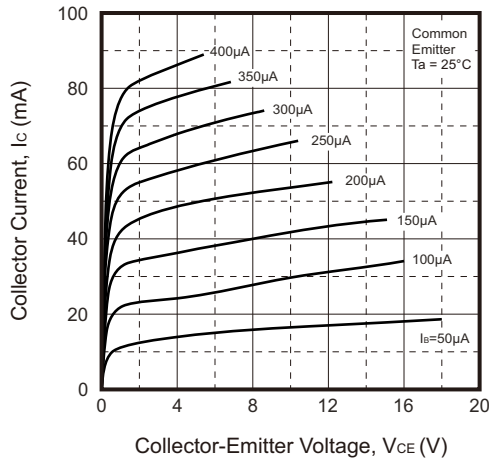


Fig.2 - $h_{FE} - I_c$

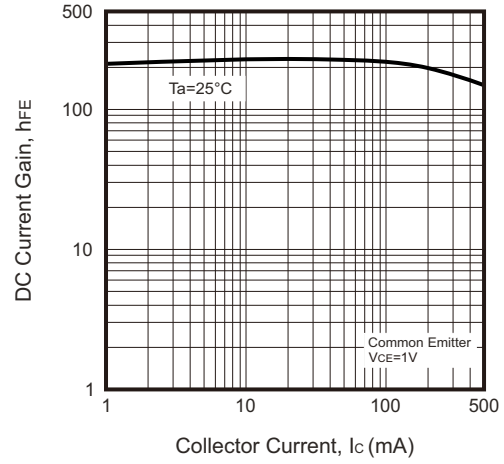


Fig.3 - Base-Emitter Saturation Voltage vs. Collector Current

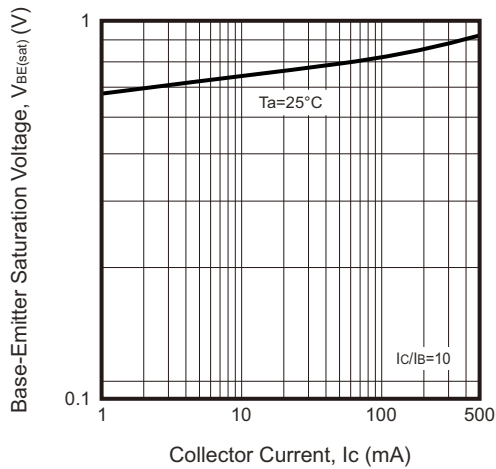
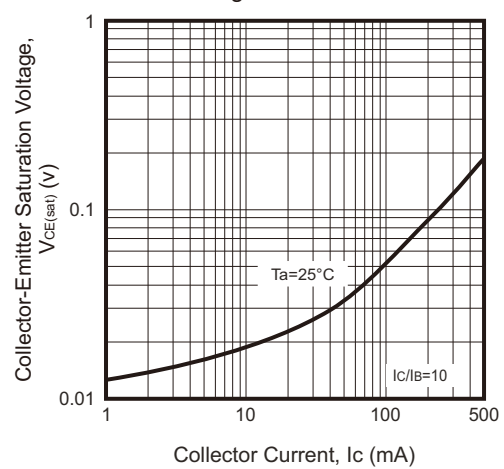
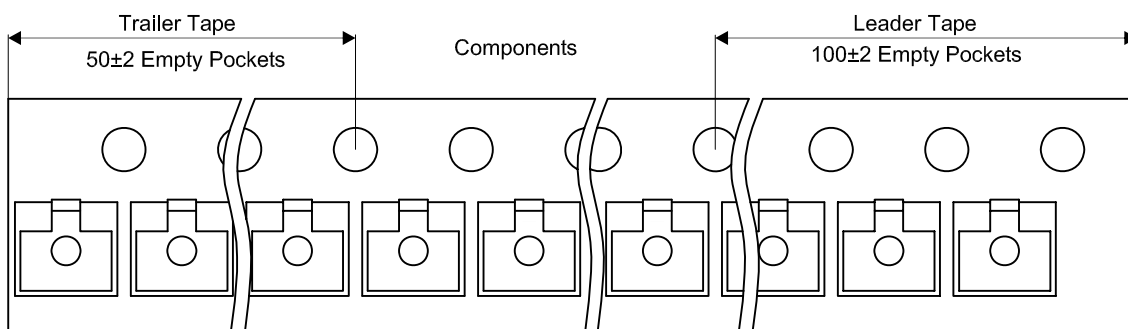
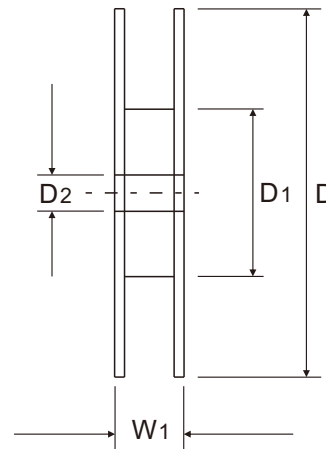
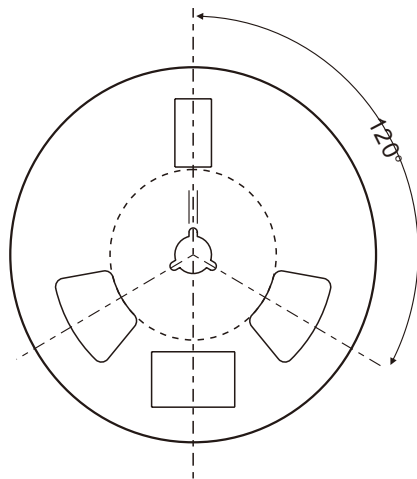
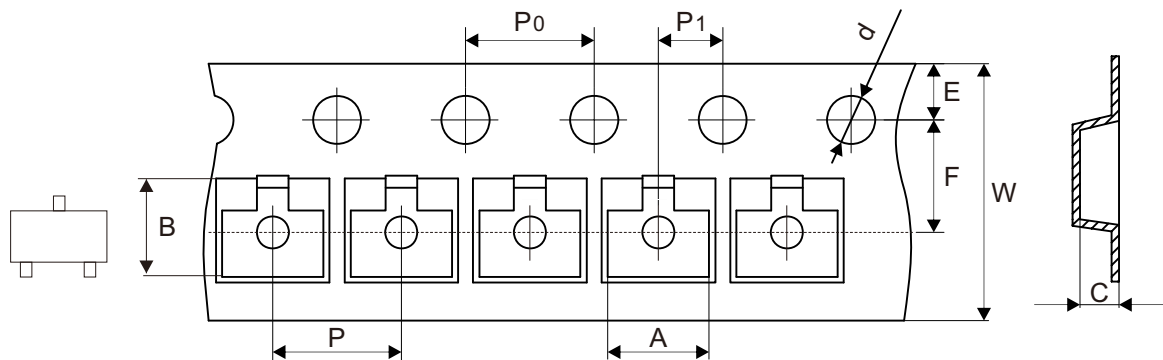


Fig.4 - Collector-Emitter Saturation Voltage vs. Collector Current



Reel Taping Specification

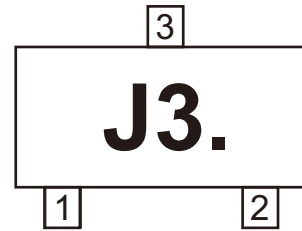


SOT-23	SYMBOL	A	B	C	d	D	D ₁	D ₂
	(mm)	3.15 ± 0.10	2.77 ± 0.10	1.22 ± 0.10	1.50 + 0.10 - 0.00	178.00 ± 1.00	54.60 ± 1.00	13.30 ± 1.00
	(inch)	0.124 ± 0.004	0.109 ± 0.004	0.048 ± 0.004	0.059 + 0.004 - 0.000	7.008 ± 0.039	2.150 ± 0.039	0.524 ± 0.039

SOT-23	SYMBOL	E	F	P	P ₀	P ₁	W	W ₁
	(mm)	1.75 ± 0.10	3.50 ± 0.05	4.00 ± 0.10	4.00 ± 0.10	2.00 ± 0.05	8.00 + 0.30 - 0.10	11.10 ± 0.20
	(inch)	0.069 ± 0.004	0.138 ± 0.002	0.157 ± 0.004	0.157 ± 0.004	0.079 ± 0.002	0.315 + 0.012 - 0.004	0.437 ± 0.008

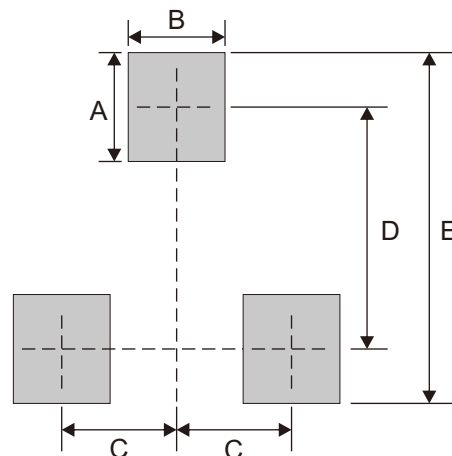
Marking Code

Part Number	Marking Code
AS9013-L-HF	J3.
AS9013-H-HF	
AS9013-J-HF	



Suggested PAD Layout

SIZE	SOT-23	
	(mm)	(inch)
A	0.90	0.035
B	0.80	0.031
C	0.95	0.037
D	2.00	0.079
E	2.90	0.114



Note: 1. The pad layout is for reference purposes only.

Standard Packaging

Case Type	REEL PACK	
	REEL (pcs)	Reel Size (inch)
SOT-23	3,000	7

X-ON Electronics

Largest Supplier of Electrical and Electronic Components

Click to view similar products for [Bipolar Transistors - BJT category](#):

Click to view products by [Comchip manufacturer](#):

Other Similar products are found below :

[619691C](#) [MCH4017-TL-H](#) [BC546/116](#) [BC557/116](#) [BSW67A](#) [NTE158](#) [NTE187A](#) [NTE195A](#) [NTE2302](#) [NTE2330](#) [NTE63](#) [C4460](#)
[2SA1419T-TD-H](#) [2SA1721-O\(TE85L,F\)](#) [2SA2126-E](#) [2SB1204S-TL-E](#) [2SD2150T100R](#) [SP000011176](#) [FMMTA92QTA](#) [2N2369ADCSM](#)
[2N5769](#) [2SC2412KT146S](#) [2SC5490A-TL-H](#) [2SD1816S-TL-E](#) [2SD1816T-TL-E](#) [CMXT2207 TR](#) [CPH6501-TL-E](#) [MCH4021-TL-E](#)
[US6T6TR](#) [NJL0281DG](#) [732314D](#) [CMXT3906 TR](#) [CPH3121-TL-E](#) [CPH6021-TL-H](#) [873787E](#) [IMZ2AT108](#) [UMX21NTR](#) [MCH6102-TL-E](#)
[NJL0302DG](#) [2N3583](#) [2SA1434-TB-E](#) [2SC3143-4-TB-E](#) [2SD1621S-TD-E](#) [NTE103](#) [30A02MH-TL-E](#) [NSV40301MZ4T1G](#) [NTE101](#) [NTE13](#)
[NTE15](#) [NTE16001](#)