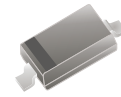


BAS316-HF

RoHS Device
Halogen Free



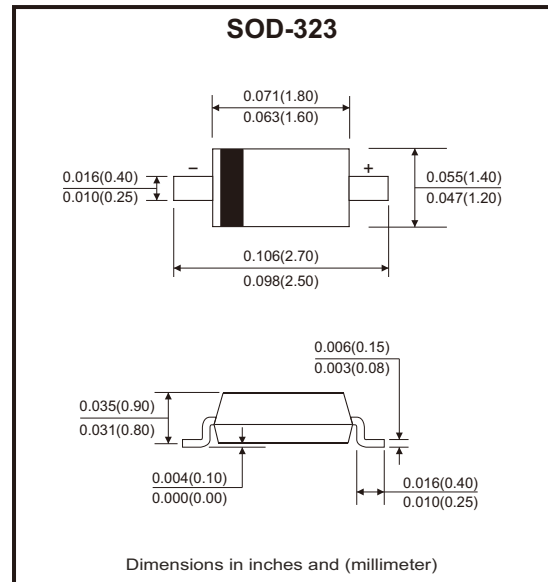
Features

- Very small plastic package.
- High switching speed.

Mechanical data

- Case: SOD-323, molded plastic.
- Terminals: Tin plated leads, solderable per J-STD-002 and JESD22-B102.
- Polarity: Cathode line denotes the cathode end.

Circuit Diagram



Maximum Rating (at Ta=25°C unless otherwise noted)

Parameter	Symbol	Value	Unit
Repetitive peak reverse voltage	V_{RRM}	100	V
Non-repetitive peak forward surge current @ t=8.3ms	I_{FSM}	2	A
Average forward current	I_{FAV}	250	mA
Power dissipation	P_{tot}	200	mW
Thermal resistance	$R_{\theta JA}$	625	K/W
Maximum junction temperature	T_J	-55 to +150	°C
Storage temperature range	T_{STG}	-55 to +150	°C

Electrical Characteristics (at Ta=25°C unless otherwise noted)

Parameter	Symbol	Conditions	Min	Max	Unit
Maximum forward voltage	V_{F1}	$I_F = 1mA$		0.715	V
	V_{F2}	$I_F = 10mA$		0.855	
	V_{F3}	$I_F = 50mA$		1.00	
	V_{F4}	$I_F = 150mA$		1.25	
Maximum reverse current	I_R	$V_R = 20V$		25	nA
		$V_R = 75V$		1.0	μA
Maximum breakdown voltage	V_{BR}	$I_R = 100\mu A$	100		V
Maximum diode capacitance	C_D	$V_R = V_F = 0V, f = 1MHz$		4	pF
Maximum reverse recovery time	t_{rr}	$I_F = 10mA, V_R = 6V, I_{rr} = 1mA, R_L = 100\Omega$		4	nS

Typical Rating and Characteristic Curves (BAS316-HF)

Fig.1 - Forward Characteristics

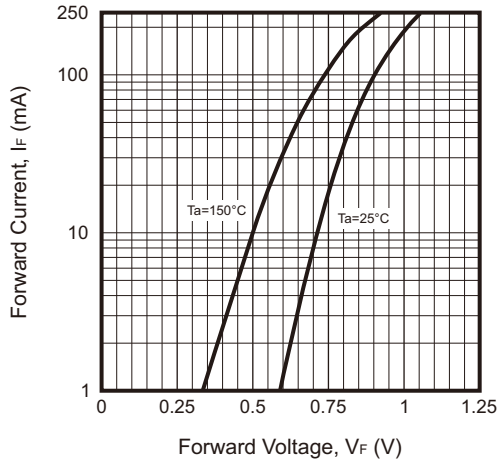


Fig.2 - Reverse Characteristics

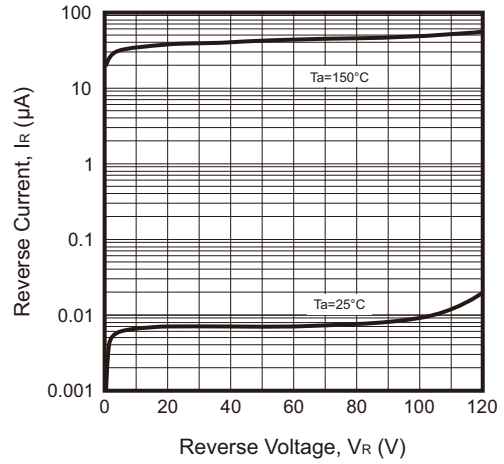


Fig.3 - Capacitance Characteristics

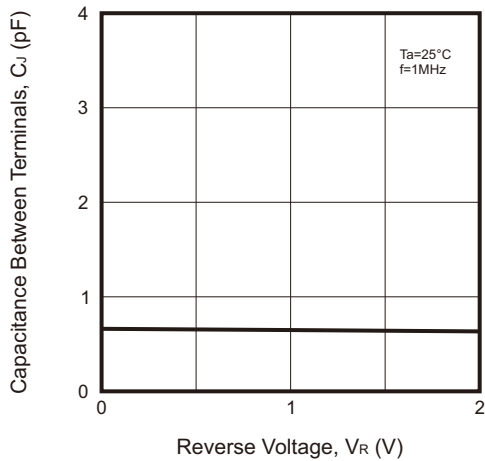
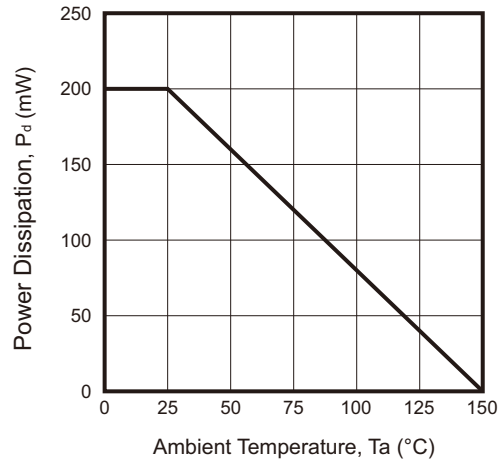
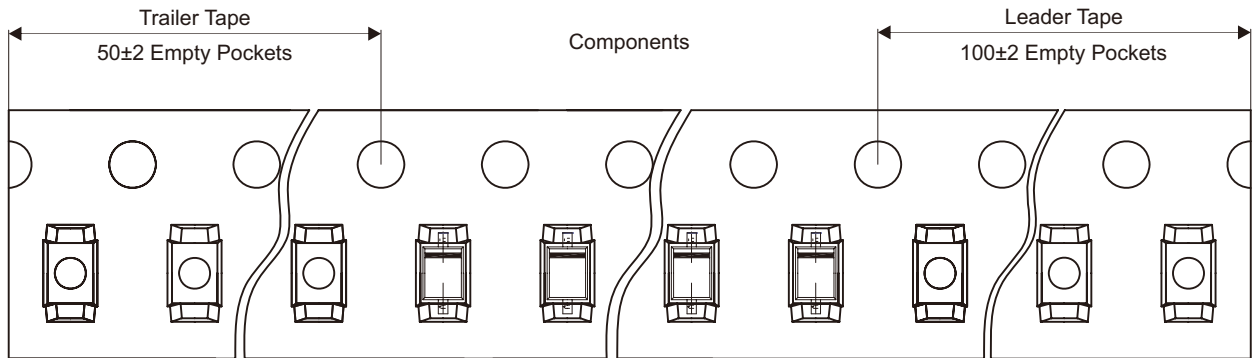
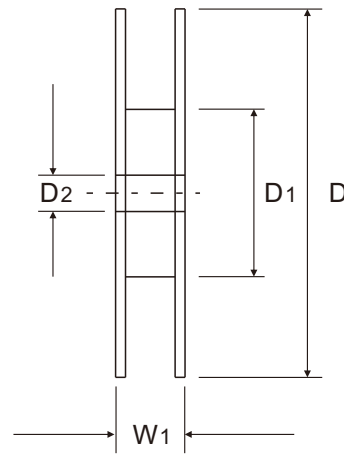
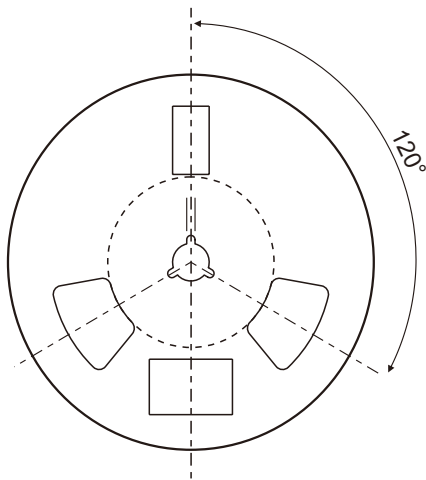
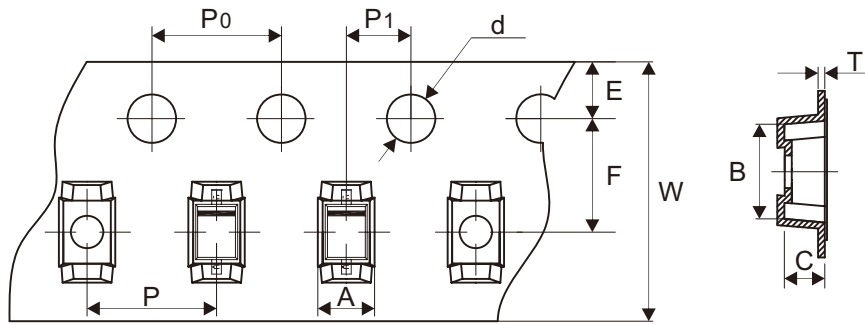


Fig.4 - Power Derating Curve



Reel Taping Specification



SOD-323	SYMBOL	A	B	C	d	D	D1	D2
	(mm)	1.50 ± 0.05	2.90 ± 0.10	1.25 ± 0.10	1.50 + 0.10 - 0.00	178.00 ± 2.00	54.40 ± 1.00	13.00 ± 1.00
	(inch)	0.059 ± 0.002	0.114 ± 0.004	0.049 ± 0.004	0.059 + 0.004 - 0.000	7.008 ± 0.079	2.142 ± 0.039	0.512 ± 0.039

SOD-323	SYMBOL	E	F	P	P0	P1	T	W	W1
	(mm)	1.75 ± 0.10	3.50 ± 0.05	4.00 ± 0.10	4.00 ± 0.10	2.00 ± 0.05	0.254 ± 0.02	8.00 + 0.30 - 0.10	12.30 ± 1.00
	(inch)	0.069 ± 0.004	0.138 ± 0.002	0.157 ± 0.004	0.157 ± 0.004	0.079 ± 0.002	0.010 ± 0.001	0.315 + 0.012 - 0.004	0.484 ± 0.039

Marking Code

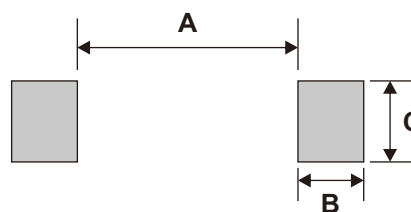
Part Number	Marking Code
BAS316-HF	A6•



█ = Cathode band

Suggested P.C.B. PAD Layout

SIZE	SOD-323	
	(mm)	(inch)
A	1.88	0.074
B	0.56	0.022
C	0.69	0.027



Standard Packaging

Case Type	REEL PACK	
	REEL (pcs)	Reel Size (inch)
SOD-323	3,000	7

X-ON Electronics

Largest Supplier of Electrical and Electronic Components

Click to view similar products for [Small Signal Switching Diodes](#) category:

Click to view products by [Comchip](#) manufacturer:

Other Similar products are found below :

[BAS16E6433HTMA1](#) [SHN2D02FUTW1T1G](#) [BAS 16-02L E6327](#) [BAS 16-02V H6327](#) [BAS 21U E6327](#) [BAS 28 E6327](#) [BAW56DWQ-7-F](#)
[BAW56M3T5G](#) [IDW40E65D1](#) [IDW40E65D2](#) [SMMSD4148T3G](#) [NSVDAN222T1G](#) [CDSZC01100-HF](#) [BAS28-7](#) [JANTX1N6640](#)
[BAW56HDW-13](#) [BAV99TQ-13-F](#) [SMSD1002T1G](#) [LS4148](#) [IDV15E65D2](#) [W0503RH200S0L](#) [M0268SJ200NLF](#) [M0268RJ200NLF](#)
[DAN217U-TP](#) [BAV21W-HE3_A-08](#) [BAV99-HE3_A-08](#) [BAW56-HE3_A-08](#) [BAS16-HE3_A-08](#) [BAS16D-HE3_A-08](#) [BAV19W-HE3_A-08](#)
[BAS20-HE3_A-08](#) [BAL99-HE3_A-08](#) [BAV23C-HE3_A-08](#) [DHVSD3004BRM-7](#) [DLLFSD01LP3Q-7](#) [BAS16VVQ-7](#)
[IDWD100E120D7XKSA1](#) [IDWD120E120D7XKSA1](#) [IDWD140E120D7XKSA1](#) [IDWD30E120D7XKSA1](#) [IDWD40E120D7XKSA1](#)
[IDWD50E120D7XKSA1](#) [IDWD60E120D7XKSA1](#) [IDWD75E120D7XKSA1](#) [BAS21TWQ-7](#) [BAV21WQ-7-F](#) [MMBD4448HADWQ-7-F](#)
[1N4148WSQ-13-F](#) [BAW56WQ-7-F](#) [BAS716-TP](#)