

CDBV220-HF

Forward current: 2.0A

Reverse voltage: 20V

RoHS Device

Halogen Free



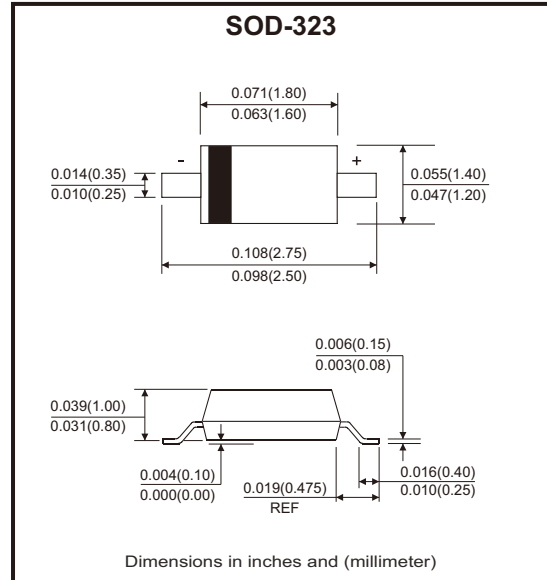
Features

- Low forward voltage drop.
- Very small SMD package.

Mechanical Data

- Case: SOD-323, molded plastic.
- Polarity: Indicated by cathode end.

Circuit Diagram



Maximum Ratings (At Ta=25°C, unless otherwise noted)

Parameter	Symbol	CDBV220-HF	Unit
Peak repetitive reverse voltage	V_{RRM}	20	V
Working peak reverse voltage	V_{RWM}		
RMS reverse voltage	$V_{R(RMS)}$	14	V
Forward current (Note 3)	I_F	2	A
Non-repetitive peak forward surge current @ t=8.3ms	I_{FSM}	9	A
Power dissipation (Note 1) (Note 2)	P_D	250	mW
		480	
Thermal resistance from junction to ambient (Note 1) (Note 2)	$R_{\theta JA}$	400	°C/W
		208	
Operating junction temperature range	T_J	-40 ~ +125	°C
Storage temperature range	T_{STG}	-55 ~ +150	°C

Notes: 1. Device mounted on an FR4 PCB, single-sided copper, tin-plated and standard footprint.

2. Device mounted on an FR4 PCB with copper pad 10 x 10 mm.

3. Pulse test: $t_p \leq 300 \mu s$; $\delta \leq 0.02$.

Electrical Characteristics (At Ta=25°C, unless otherwise noted)

Parameter	Conditions	Symbol	Min.	Max.	Unit
Reverse breakdown voltage	$I_R = 1mA$	$V_{(BR)}$	20		V
Reverse current	$V_R = 10V$	I_R		80	μA
	$V_R = 20V$			100	
Forward voltage (Note 1)	$I_F = 1A$	V_F		0.45	V
	$I_F = 2A$			0.55	
Total capacitance	$V_R = 4V, f = 1MHz$	C_{tot}		120	pF

Notes: 1. Pulse test: $t_p \leq 300 \mu s$; $\delta \leq 0.02$.

Company reserves the right to improve product design, functions and reliability without notice.

REV:A

Rating and Characteristic Curves (CDBV220-HF)

Fig.1 - Power Derating Curve

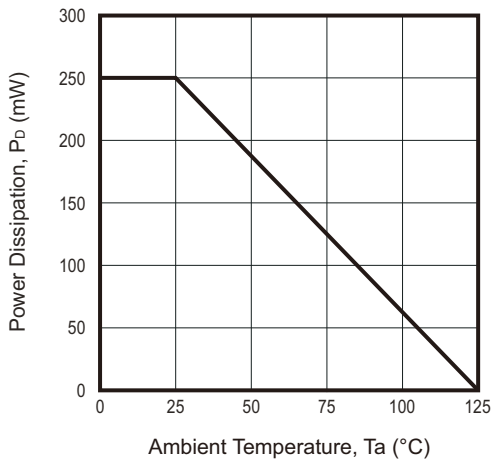


Fig.2 - Capacitance Characteristics

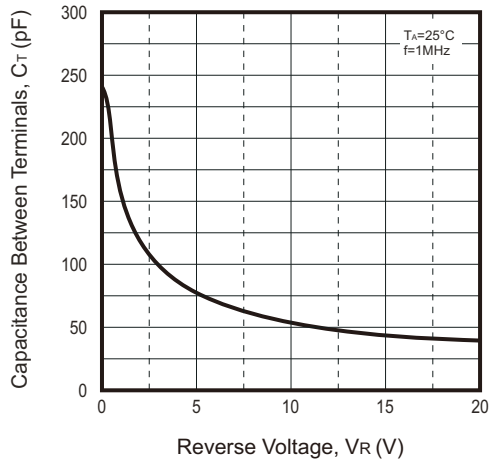


Fig.3 - Forward Characteristics

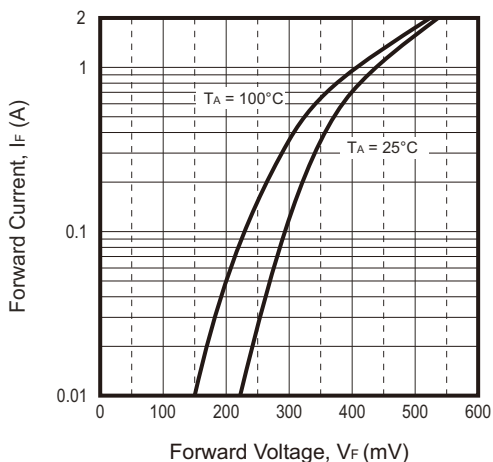
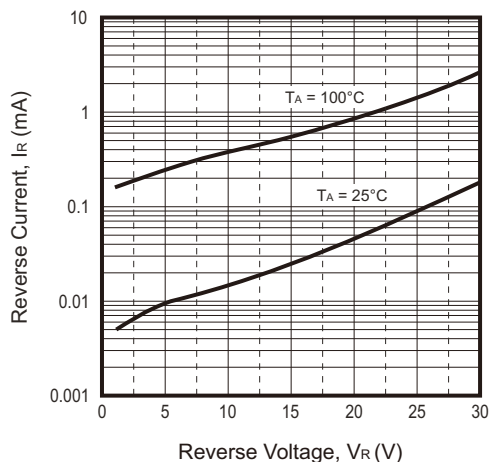
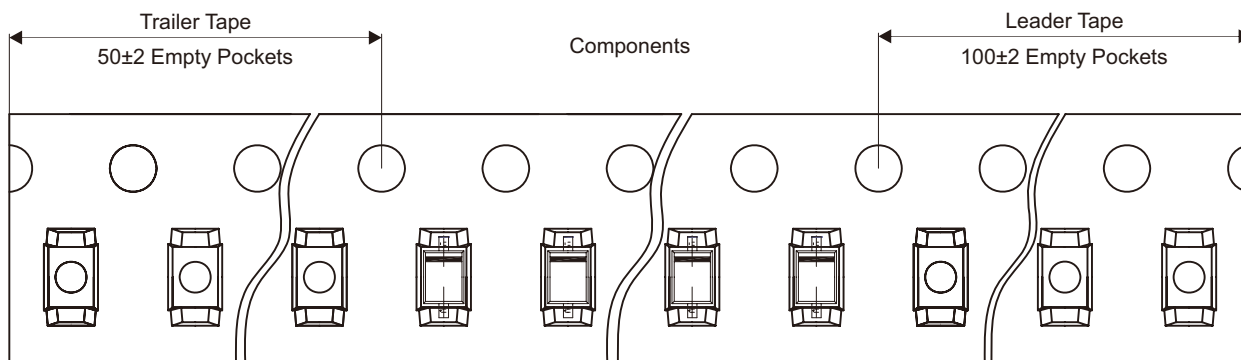
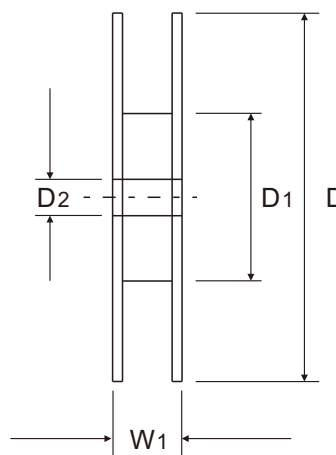
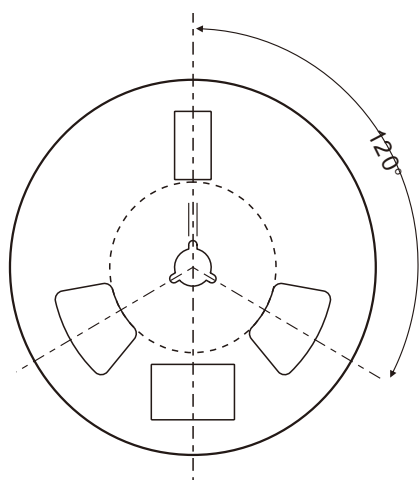
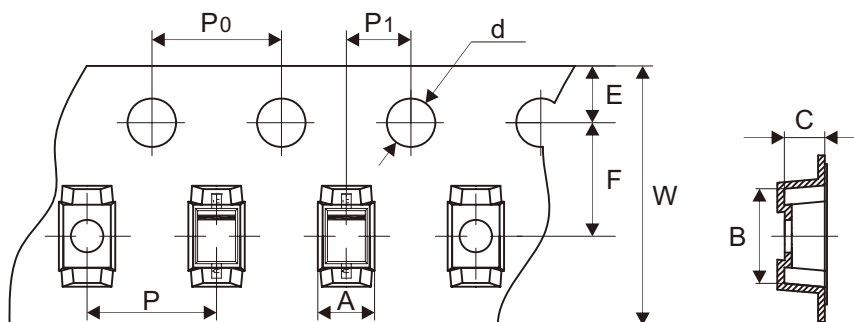


Fig.4 - Reverse Characteristics



Reel Taping Specification



SOD-323	SYMBOL	A	B	C	d	D	D1	D2
	(mm)	1.48 ± 0.05	3.30 ± 0.05	1.25 ± 0.05	$1.50 + 0.10$	178.00 ± 2.00	54.40 ± 1.00	13.00 ± 1.00
	(inch)	0.058 ± 0.002	0.130 ± 0.002	0.049 ± 0.002	$0.059 + 0.004$	7.008 ± 0.079	2.142 ± 0.039	0.512 ± 0.039

SOD-323	SYMBOL	E	F	P	P0	P1	W	W1
	(mm)	1.75 ± 0.10	3.50 ± 0.10	4.00 ± 0.10	4.00 ± 0.10	2.00 ± 0.10	$8.00 + 0.30 - 0.10$	12.30 ± 1.00
	(inch)	0.069 ± 0.004	0.138 ± 0.004	0.157 ± 0.004	0.157 ± 0.004	0.079 ± 0.004	$0.315 + 0.012 - 0.004$	0.484 ± 0.039

Company reserves the right to improve product design, functions and reliability without notice. REV:A

Marking Code

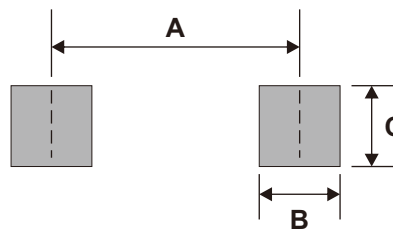
Part Number	Marking Code
CDBV220-HF	SH



= Cathode band
 Solid dot = Halogen Free

Suggested P.C.B. PAD Layout

SIZE	SOD-323	
	(mm)	(inch)
A	2.15	0.085
B	0.70	0.028
C	0.70	0.028



Note: 1. The pad layout is for reference purposes only.

Standard Packaging

Case Type	REEL PACK	
	REEL (pcs)	Reel Size (inch)
SOD-323	3,000	7

X-ON Electronics

Largest Supplier of Electrical and Electronic Components

Click to view similar products for [Schottky Diodes & Rectifiers](#) category:

Click to view products by [Comchip](#) manufacturer:

Other Similar products are found below :

[MA4E2039](#) [D1FH3-5063](#) [MBR10100CT-BP](#) [MBR1545CT](#) [MMBD301M3T5G](#) [RB160M-50TR](#) [RB551V-30](#) [BAS16E6433HTMA1](#) [BAT54-02LRH](#) [E6327](#) [NSR05F40QNXT5G](#) [NTE555](#) [JANS1N6640](#) [SB07-03C-TB-H](#) [SB1003M3-TL-W](#) [SBM30-03-TR-E](#) [SK310-T](#) [SK32A-LTP](#) [SK33A-TP](#) [SK34B-TP](#) [SS3003CH-TL-E](#) [GA01SHT18](#) [CRS10I30A\(TE85L,QM](#) [MA4E2501L-1290](#) [MBRB30H30CT-1G](#) [SB007-03C-TB-E](#) [SK32A-TP](#) [SK33B-TP](#) [SK35A-TP](#) [SK38B-TP](#) [NRVBM120LT1G](#) [NTE505](#) [NTSB30U100CT-1G](#) [SS15E-TP](#) [VS-6CWQ10FNHM3](#) [ACDBA1100LR-HF](#) [ACDBA1200-HF](#) [ACDBA140-HF](#) [ACDBA2100-HF](#) [ACDBA3100-HF](#) [CDBQC0530L-HF](#) [CDBQC0240LR-HF](#) [BAT6202VH6327XTSA1](#) [ACDBA340-HF](#) [ACDBA260LR-HF](#) [ACDBA1100-HF](#) [SK310B-TP](#) [MA4E2502L-1246](#) [MA4E2502H-1246](#) [NRVBM120ET1G](#) [NSR01L30MXT5G](#)