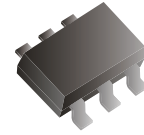


CDBV6-00340TI-G

Forward Current: 30mA
Reverse Voltage: 40V
RoHS Device

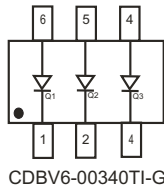
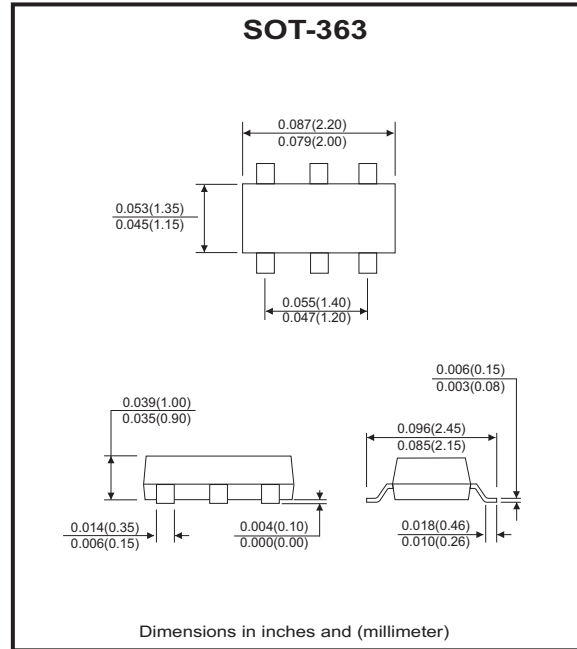


Features

- Low forward voltage drop.
- Fast switching.
- Ultra-small surface mount package.
- PN junction guard ring for transient and ESD protection.
- Available in lead Free version.

Mechanical data

- Case: SOT-363, Molded Plastic
- Case material: UL 94V-0 flammability retardant classification.
- Terminals: Solderable per MIL-STD-202, Method 208
- Marking: Orientation: See diagrams below
- Weight: 0.006 grams (approx.)
- Marking: 731



*Symmetrical configuration, no orientation indicator.

Maximum Ratings (at Ta=25°C unless otherwise noted)

Parameter	Symbol	Limits	Unit
Peak repetitive reverse voltage	V_{RM}	40	V
DC blocking voltage	V_R	40	V
Forward continuous current	I_F	30	mA
Forward surge current (Note 1) @t<1.0s	I_{FSM}	200	mA
Operation and storage temperature range	T_J	125	°C
Operation and storage temperature range	T_{STG}	-40 ~ +125	°C

Electrical Characteristics (at Ta=25°C unless otherwise noted)

Parameter	Conditions	Symbol	Min	Typ	Max	Unit
Forward voltage	$I_F=1mA$	V_F			0.37	V
Reverse leakage current	$V_R=10V$	I_R			1	μA
Total capacitance	$V_R=1.0V, f=1.0MHz$	C_T		2		pF

Notes1 : 60HZ * 1 Cyc.

ELECTRICAL CHARACTERISTIC CURVES (CDBV6-00340TI-G)

Fig.1 Forward Characteristics

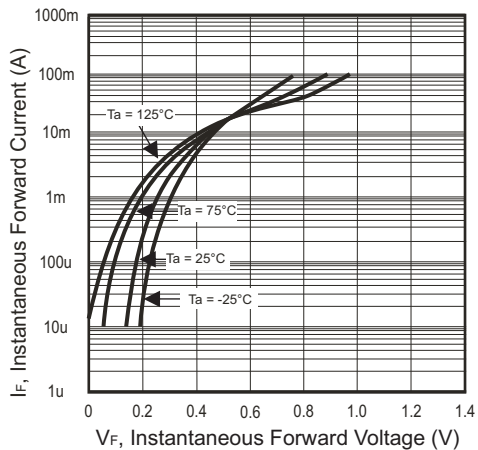


Fig.2 Reverse Characteristics

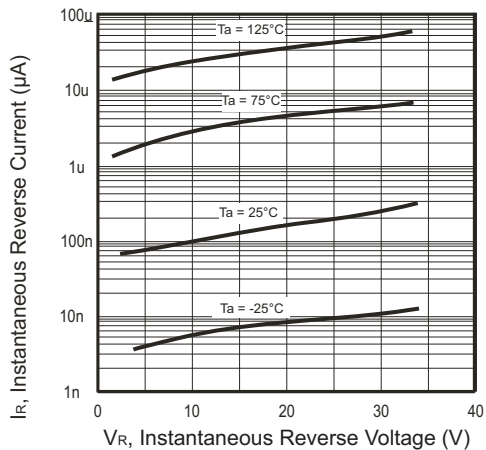
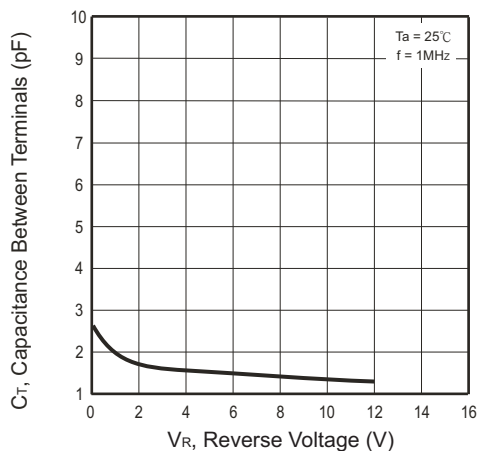
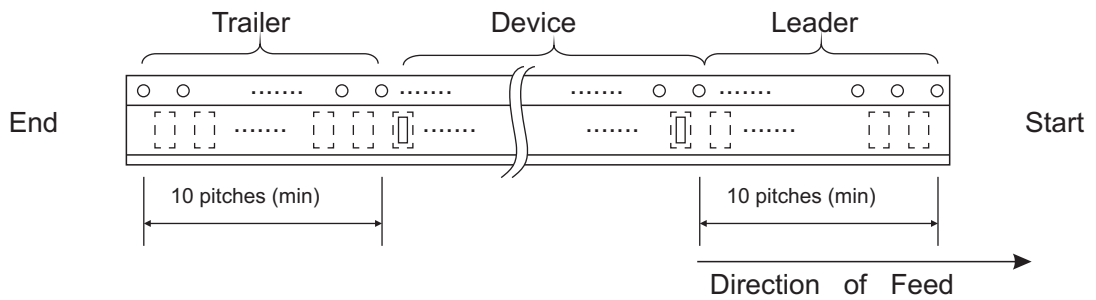
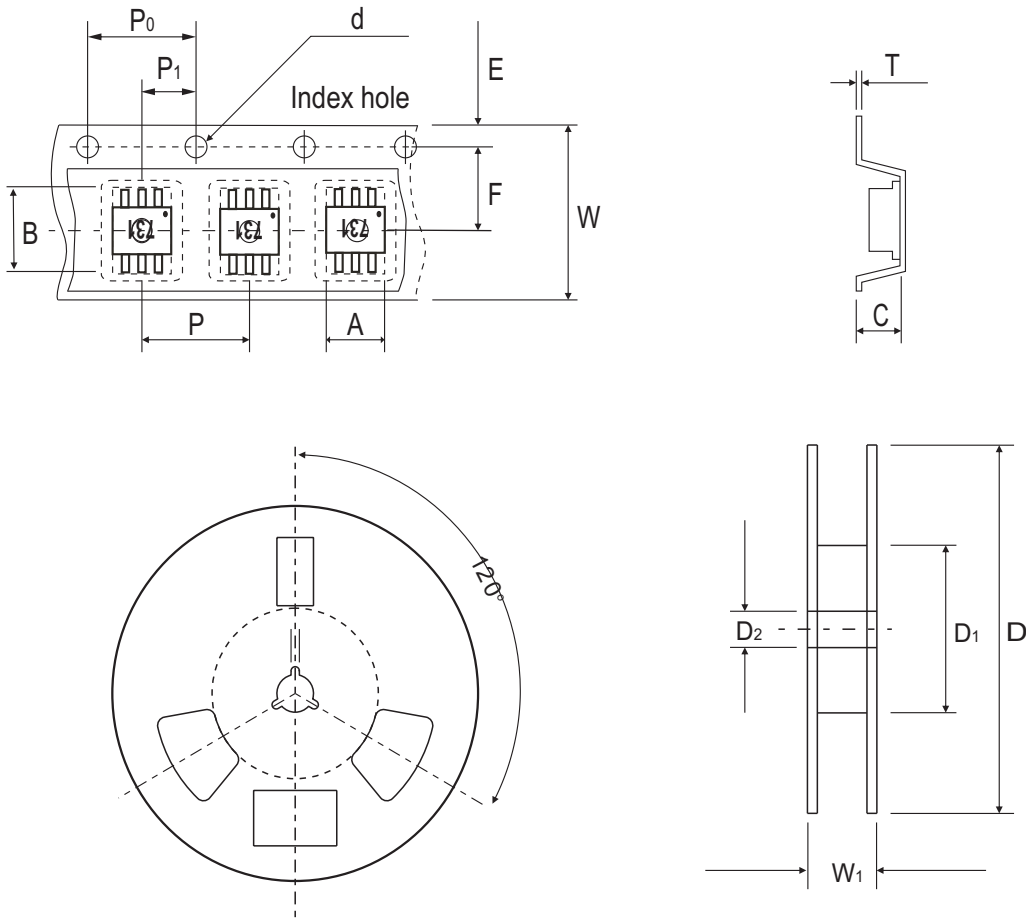


Fig.3 Capacitance Between Terminals Characteristics



Reel Taping Specification

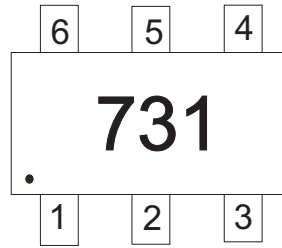


SOT-363	SYMBOL	A	B	C	d	D	D1	D2
	(mm)	2.25 ± 0.05	2.55 ± 0.05	1.20 ± 0.05	1.50 ± 0.10	178 ± 2	50.40 ± 1.00	13.00 ± 1.00
	(inch)	0.089 ± 0.002	0.100 ± 0.002	0.047 ± 0.002	0.059 ± 0.004	7.008 ± 0.079	0.059 ± 0.004	0.512 ± 0.039

SOT-363	SYMBOL	E	F	P	P0	P1	W	W1
	(mm)	1.75 ± 0.10	3.50 ± 0.10	4.00 ± 0.10	4.00 ± 0.10	2.00 ± 0.10	8.00 + 0.30 / - 0.10	12.30 ± 1.0
	(inch)	0.069 ± 0.004	0.138 ± 0.004	0.157 ± 0.004	0.157 ± 0.004	0.079 ± 0.004	0.315 + 0.012 / - 0.004	0.484 ± 0.039

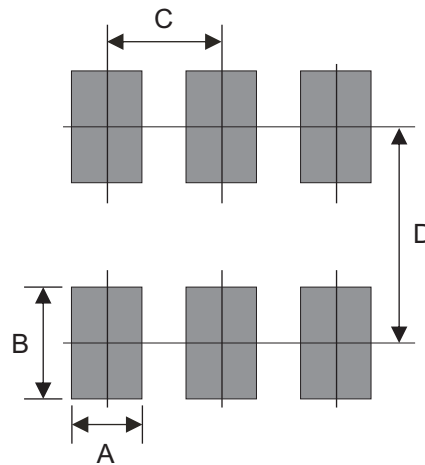
Marking Code

Part Number	Marking Code
CDBV6-00340TI-G	731



Suggested PAD Layout

SIZE	SOT-363	
	(mm)	(inch)
A	0.40	0.016
B	0.80	0.031
C	0.65	0.026
D	1.94	0.076



Standard Packaging

Case Type	REEL PACK	
	REEL (pcs)	Reel Size (inch)
SOT-363	3,000	7

X-ON Electronics

Largest Supplier of Electrical and Electronic Components

Click to view similar products for [Schottky Diodes & Rectifiers](#) category:

Click to view products by [Comchip](#) manufacturer:

Other Similar products are found below :

[MA4E2039](#) [D1FH3-5063](#) [MBR10100CT-BP](#) [MBR1545CT](#) [MMBD301M3T5G](#) [RB160M-50TR](#) [RB551V-30](#) [BAS16E6433HTMA1](#) [BAT](#)
[54-02LRH E6327](#) [NSR05F40QNXT5G](#) [NTE555](#) [JANS1N6640](#) [SB07-03C-TB-H](#) [SK310-T](#) [SK32A-LTP](#) [SK33A-TP](#) [SK34B-TP](#) [SS3003CH-](#)
[TL-E](#) [GA01SHT18](#) [CRS10I30A\(TE85L,QM](#) [MA4E2501L-1290](#) [MBRA140TRPBF](#) [MBRB30H30CT-1G](#) [SB007-03C-TB-E](#) [SK32A-TP](#)
[SK33B-TP](#) [SK35A-TP](#) [SK38B-TP](#) [NRVBM120LT1G](#) [NTE505](#) [NTSB30U100CT-1G](#) [SS15E-TP](#) [VS-6CWQ10FNHM3](#) [ACDBA1100LR-HF](#)
[ACDBA1200-HF](#) [ACDBA140-HF](#) [ACDBA2100-HF](#) [ACDBA3100-HF](#) [CDBQC0530L-HF](#) [CDBQC0240LR-HF](#) [BAT6202VH6327XTSA1](#)
[ACDBA340-HF](#) [ACDBA260LR-HF](#) [ACDBA1100-HF](#) [SK310B-TP](#) [MA4E2502L-1246](#) [MA4E2502H-1246](#) [NRVBM120ET1G](#)
[NSR01L30MXT5G](#) [NTE573](#)