

CDBZC0130R-HF

$I_o = 100 \text{ mA}$
 $V_R = 30 \text{ Volts}$
 RoHS Device
 Halogen Free



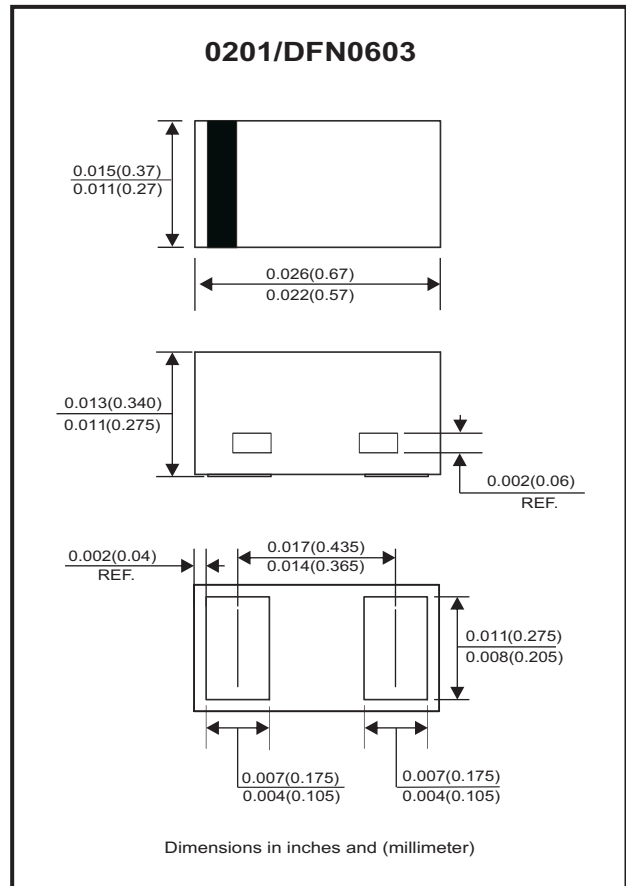
Features

- Low reverse current.
- Low forward voltage.
- Ultra small mold type.

Mechanical data

- Case: 0201/DFN0603 package, molded plastic.
- Terminals: Gold plated, solderable per MIL-STD-750, method 2026.
- Polarity: Color band denotes cathode end.
- Mounting position: Any
- Weight: 0.0004 grams(approx.).

Circuit diagram



Maximum Rating (at $T_A=25^\circ\text{C}$ unless otherwise noted)

| Parameter | Conditions | Symbol | Min | Typ | Max | Unit |
|--|--|-----------|-----|-----|------|------------------|
| Reverse voltage | | V_R | | | 30 | V |
| Average rectified forward current | | I_o | | | 100 | mA |
| Forward current,surge peak (60Hz*1cycle) | 8.3 ms single half sine-wave superimposed on rate load(JEDEC method) | I_{FSM} | | | 500 | mA |
| Operating temperature range | | T_J | -40 | | +150 | $^\circ\text{C}$ |
| Storage temperature range | | T_{STG} | -40 | | +150 | $^\circ\text{C}$ |

Electrical Characteristics (at $T_A=25^\circ\text{C}$ unless otherwise noted)

| Parameter | Conditions | Symbol | Min | Typ | Max | Unit |
|-----------------|-----------------------|--------|-----|-----|------|---------------|
| Forward voltage | $I_F = 10 \text{ mA}$ | V_F | | | 0.46 | V |
| Reverse current | $V_R = 10 \text{ V}$ | I_R | | | 0.30 | μA |

RATING AND CHARACTERISTIC CURVES (CDBZC0130R-HF)

Fig.1 - Forward Characteristics

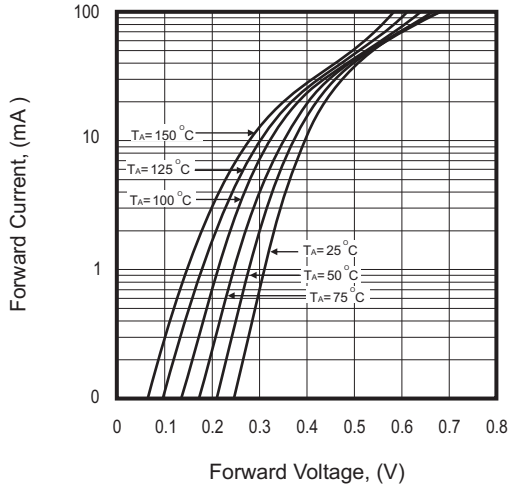


Fig.2 - Reverse Characteristics

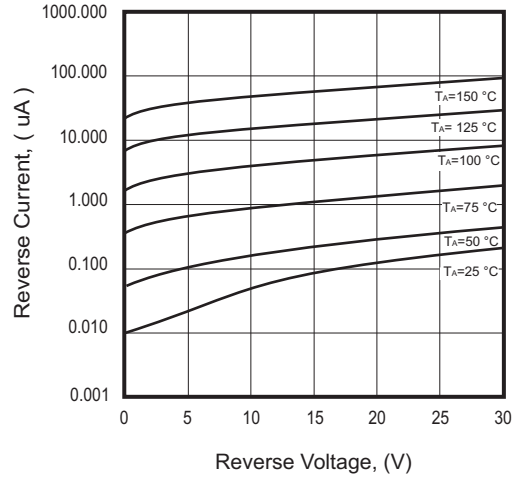


Fig.3 - Capacitance Between Terminals Characteristics

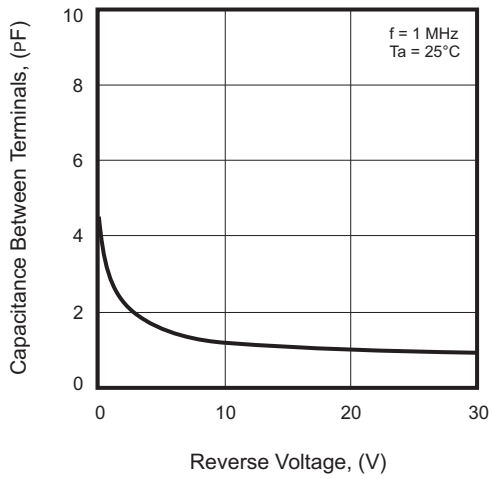
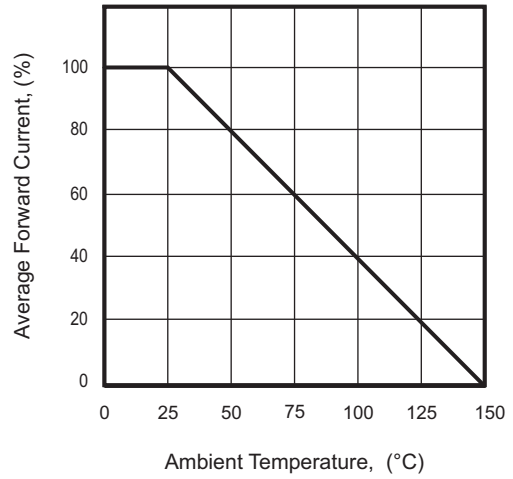
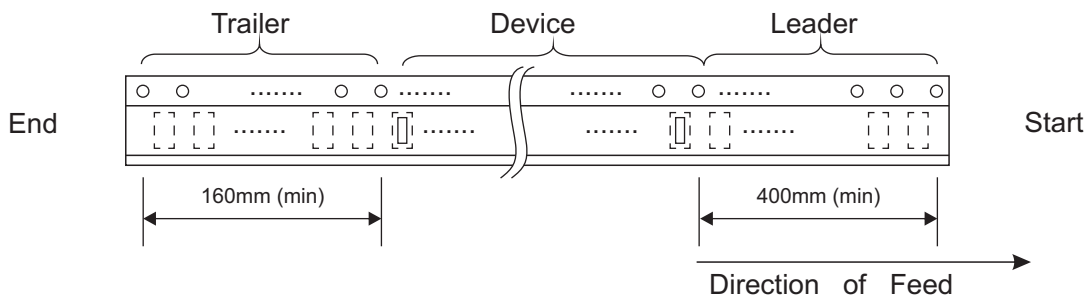
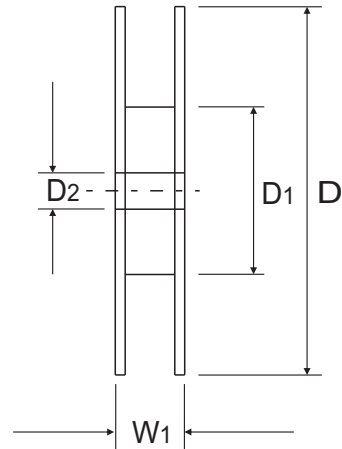
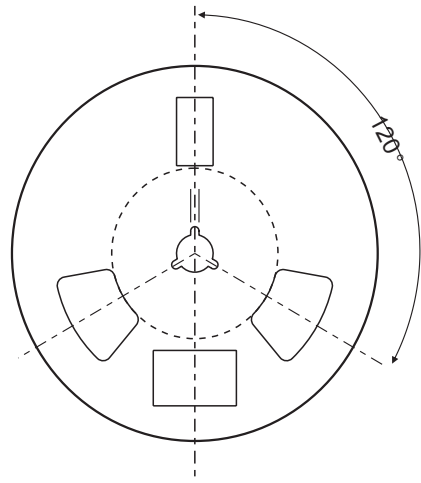
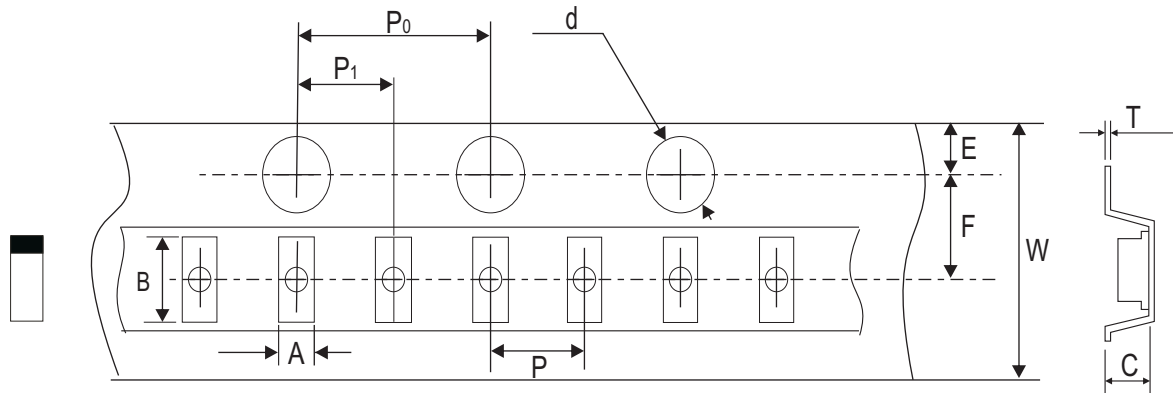


Fig.4 - Current Derating Curve



Reel Taping Specification

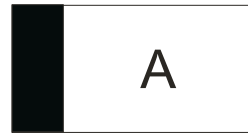


| 0201 (DFN0603) | SYMBOL | A | B | C | d | D | D ₁ | D ₂ |
|-------------------|--------|---------------|---------------|---------------|--------------------------|---------------|----------------|----------------|
| | (mm) | 0.37 ± 0.03 | 0.67 ± 0.03 | 0.35 ± 0.03 | 1.50 + 0.10 - 0.00 | 178.00 ± 1.00 | 60.00 ± 0.50 | 13.50 ± 0.20 |
| | (inch) | 0.015 ± 0.001 | 0.026 ± 0.001 | 0.014 ± 0.001 | 0.059 + 0.004 - 0.000 | 7.008 ± 0.039 | 2.362 ± 0.020 | 0.531 ± 0.008 |

| 0201 (DFN0603) | SYMBOL | E | F | P | P ₀ | P ₁ | T | W | W ₁ |
|-------------------|--------|---------------|---------------|---------------|----------------|----------------|---------------|--------------------------|--------------------------|
| | (mm) | 1.75 ± 0.10 | 3.50 ± 0.05 | 2.00 ± 0.05 | 4.00 ± 0.10 | 2.00 ± 0.05 | 0.20 ± 0.02 | 8.00 + 0.30 - 0.10 | 12.00 + 0.50 - 0.00 |
| | (inch) | 0.069 ± 0.004 | 0.138 ± 0.002 | 0.157 ± 0.002 | 0.157 ± 0.004 | 0.079 ± 0.002 | 0.008 ± 0.001 | 0.315 + 0.012 - 0.004 | 0.472 + 0.020 - 0.000 |

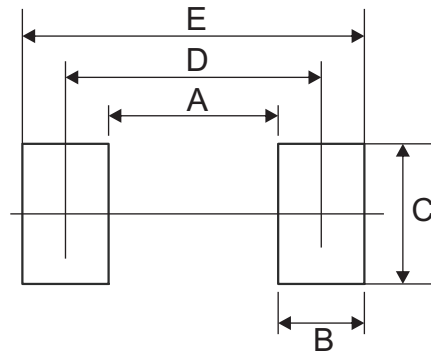
Marking Code

| Part Number | Marking Code |
|---------------|--------------|
| CDBZC0130R-HF | A |



Suggested PAD Layout

| SIZE | 0201(DFN0603) | |
|------|---------------|--------|
| | (mm) | (inch) |
| A | 0.16 | 0.006 |
| B | 0.24 | 0.009 |
| C | 0.34 | 0.013 |
| D | 0.40 | 0.016 |
| E | 0.64 | 0.025 |



Standard Packaging

| Case Type | Qty Per Reel | Reel Size |
|---------------|--------------|-----------|
| | (Pcs) | (inch) |
| 0201(DFN0603) | 10,000 | 7 |

X-ON Electronics

Largest Supplier of Electrical and Electronic Components

Click to view similar products for [Schottky Diodes & Rectifiers](#) category:

Click to view products by [Comchip](#) manufacturer:

Other Similar products are found below :

[MA4E2039](#) [D1FH3-5063](#) [MBR10100CT-BP](#) [MBR1545CT](#) [MMBD301M3T5G](#) [RB160M-50TR](#) [RB551V-30](#) [BAS16E6433HTMA1](#) [BAT](#)
[54-02LRH E6327](#) [NSR05F40QNXT5G](#) [NTE555](#) [JANS1N6640](#) [SB07-03C-TB-H](#) [SB1003M3-TL-W](#) [SK310-T](#) [SK32A-LTP](#) [SK33A-TP](#)
[SK34B-TP](#) [SS3003CH-TL-E](#) [GA01SHT18](#) [CRS10I30A\(TE85L,QM](#) [MA4E2501L-1290](#) [MBRA140TRPBF](#) [MBRB30H30CT-1G](#) [SB007-](#)
[03C-TB-E](#) [SK32A-TP](#) [SK33B-TP](#) [SK35A-TP](#) [SK38B-TP](#) [NRVBM120LT1G](#) [NTE505](#) [NTSB30U100CT-1G](#) [SS15E-TP](#) [VS-](#)
[6CWQ10FNHM3](#) [ACDBA1100LR-HF](#) [ACDBA1200-HF](#) [ACDBA140-HF](#) [ACDBA2100-HF](#) [ACDBA3100-HF](#) [CDBQC0530L-HF](#)
[CDBQC0240LR-HF](#) [ACDBA340-HF](#) [ACDBA260LR-HF](#) [ACDBA1100-HF](#) [SK310B-TP](#) [MA4E2502L-1246](#) [MA4E2502H-1246](#)
[NRVBM120ET1G](#) [NSR01L30MXT5G](#) [NTE573](#)