

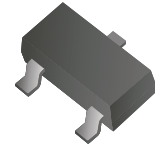
## CDST-99-HF/70-HF/56-HF

Reverse Voltage: 70 Volts

Forward Current: 200 mA

RoHS Device

Halogen Free



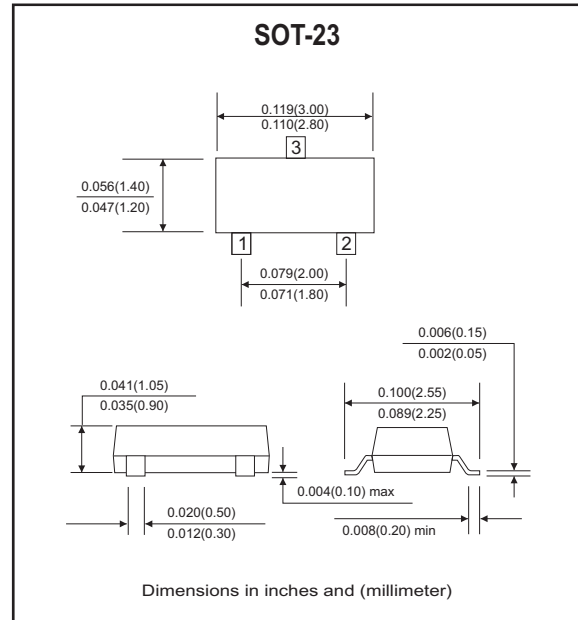
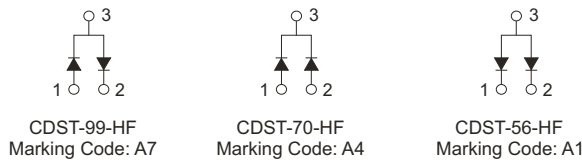
### Features

- Design for mounting on small surface.
- High speed switching.
- High mounting capability, strong surge withstand, high reliability.

### Mechanical data

- Case: SOT-23, molded plastic.
- Terminals: solderable per MIL-STD-750, method 2026.
- Approx. weight: 0.0078 grams

### Circuit diagram



### Maximum Ratings (at Ta=25°C unless otherwise noted)

Parameter	Symbol	Value	Units
Reverse voltage	$V_R$	70	V
Forward current	$I_F$	200	mA
Peak surge forward current	$I_{FSM}$	500	mA
Power dissipation	$P_D$	225	mW
Thermal resistance, junction to ambient	$R_{\theta JA}$	556	°C/W
Maximum junction temperature	$T_J$	150	°C
Storage temperature	$T_{STG}$	-55 to +150	°C

### Electrical Characteristics (at Ta=25°C unless otherwise noted)

Parameter	Symbol	Conditions	Min.	Max.	Units
Reverse breakdown voltage	$V_{BR}$	$I_R=100\mu A$	70		V
Forward voltage	$V_F$	@ $I_F=1mA$ @ $I_F=10mA$ @ $I_F=50mA$ @ $I_F=150mA$		0.715 0.855 1.0 1.25	V
Reverse current	$I_R$	@ $V_R=70V$		2.5	$\mu A$
Reverse recovery time	$t_{rr}$	$I_F=I_R=10mA$ , $I_{rr}=0.1 \times I_R$ , $R_L=100\Omega$		6	nS
Diode capacitance	$C_T$	$V_R=0V$ , $f=1.0MHz$		1.5	pF

## RATING AND CHARACTERISTIC CURVES (CDST-99-HF/70-HF/56-HF)

Fig.1 - Forward Characteristics

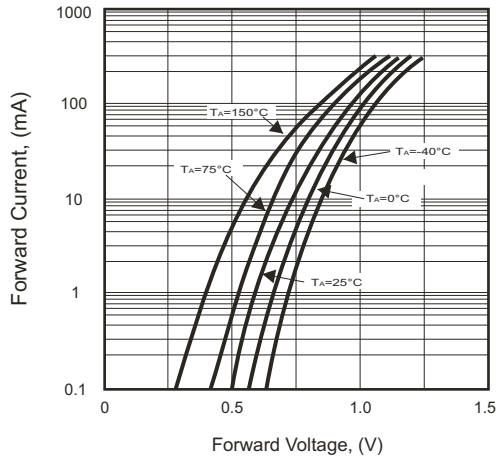


Fig.2 - Reverse Characteristics

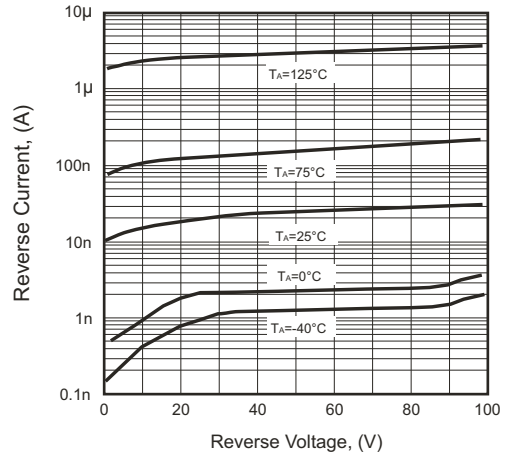


Fig.3 - Capacitance Between Terminals Characteristics

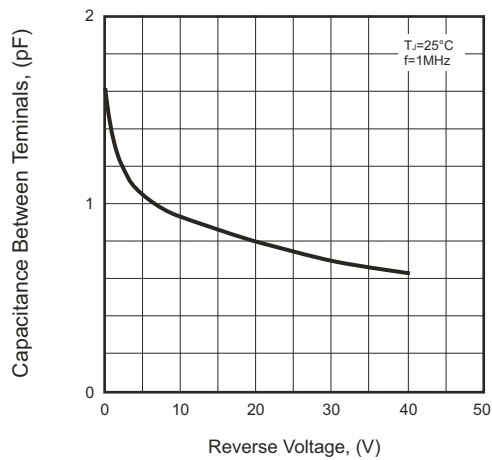
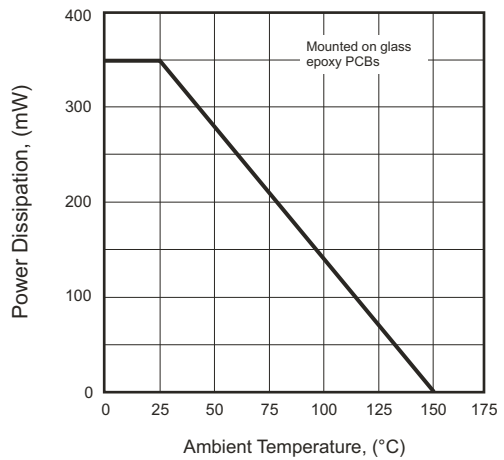
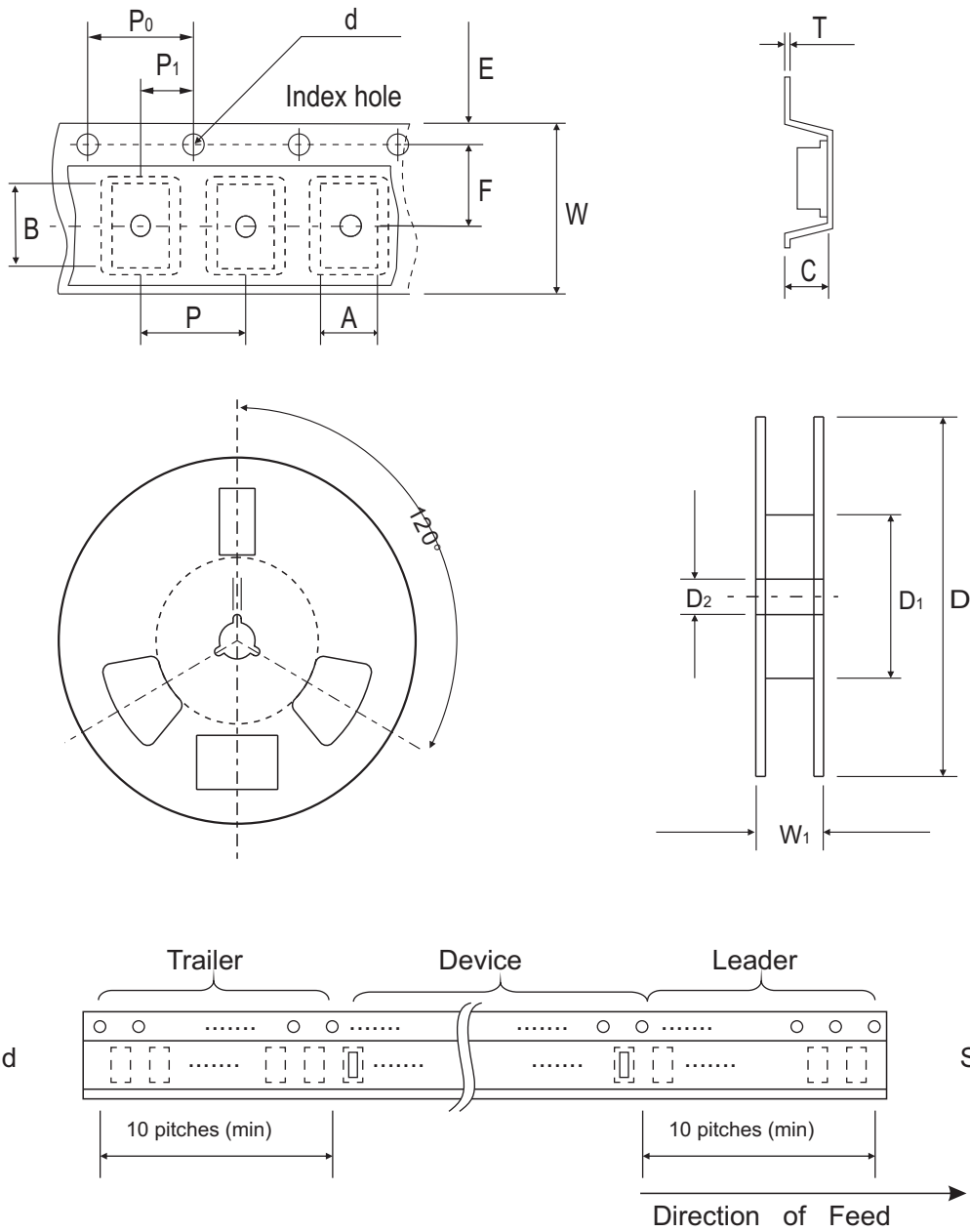


Fig.4 - Power Derating Curve



## Reel Taping Specification

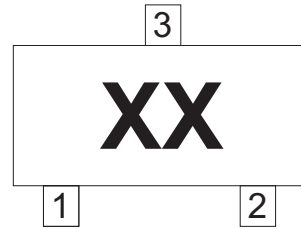


SOT-23	SYMBOL	A	B	C	d	D	D1	D2
	(mm)	$3.10 \pm 0.10$	$2.85 \pm 0.10$	$1.40 \pm 0.10$	$1.55 \pm 0.10$	$178 \pm 1.00$	$54.00$ (min)	$13.00 \pm 0.20$
	(inch)	$0.122 \pm 0.004$	$0.112 \pm 0.004$	$0.055 \pm 0.004$	$0.061 \pm 0.004$	$7.008 \pm 0.039$	$1.969$ (min)	$0.512 \pm 0.008$

SOT-23	SYMBOL	E	F	P	P0	P1	W	W1
	(mm)	$1.75 \pm 0.10$	$3.50 \pm 0.05$	$4.00 \pm 0.10$	$4.00 \pm 0.10$	$2.00 \pm 0.05$	$8.00 \pm 0.30$	$14.40$ (max)
	(inch)	$0.069 \pm 0.004$	$0.138 \pm 0.002$	$0.157 \pm 0.004$	$0.157 \pm 0.004$	$0.079 \pm 0.002$	$0.315 \pm 0.012$	$0.567$ (max)

## Marking Code

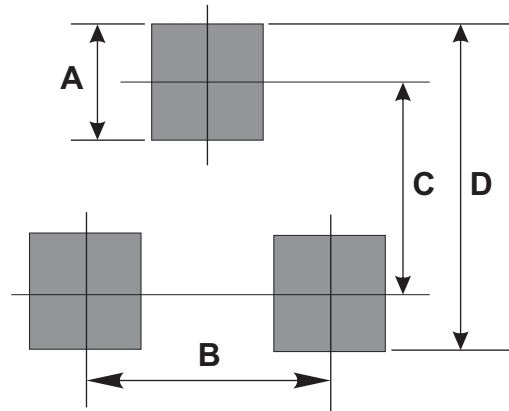
Part Number	Marking Code
CDST-99-HF	A7
CDST-70-HF	A4
CDST-56-HF	A1



XX = Product type marking code

## Suggested PAD Layout

SIZE	SOT-23	
	(mm)	(inch)
A	0.80	0.031
B	1.90	0.075
C	2.02	0.080
D	2.82	0.111



## Standard Packaging

Case Type	REEL PACK	
	REEL ( pcs )	Reel Size (inch)
SOT-23	3,000	7

## X-ON Electronics

Largest Supplier of Electrical and Electronic Components

*Click to view similar products for [Diodes - General Purpose, Power, Switching category:](#)*

*Click to view products by [Comchip manufacturer:](#)*

Other Similar products are found below :

[RD0306T-H](#) [BAV17-TR](#) [BAV19-TR](#) [1N3611](#) [NTE156A](#) [NTE525](#) [NTE571](#) [NTE5804](#) [NTE5806](#) [NTE6244](#) [1SS181-TP](#) [1SS193,LF](#)  
[1SS400CST2RA](#) [SDAA13](#) [SHN2D02FUTW1T1G](#) [LS4151GS08](#) [1N4449](#) [1N456A](#) [1N4934-E3/73](#) [1N914B](#) [1N914BTR](#) [RFUH20TB3S](#)  
[BAS 28 E6327](#) [BAV199-TP](#) [BAW56DWQ-7-F](#) [BAW75-TAP](#) [MM230L-CAA](#) [IDW40E65D1](#) [JAN1N3600](#) [LL4151-GS18](#) [053684A](#)  
[SMMSD4148T3G](#) [707803H](#) [NSVDAN222T1G](#) [SP000010217](#) [CDSZC01100-HF](#) [BAV199E6433HTMA1](#) [BAV70M3T5G](#) [SMBT2001T1G](#)  
[NTE5801](#) [NTE5800](#) [NTE5808](#) [NTE6240](#) [NTE6248](#) [BAS28-7](#) [BAW56HDW-13](#) [BAS28 TR](#) [VS-HFA04SD60STR-M3](#)  
[NSVM1MA152WKT1G](#) [BAV99TQ-13-F](#)