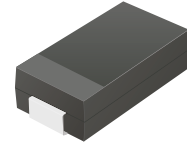


## CGRA4001-G Thru. CGRA4007-G

Reverse Voltage: 50 to 1000 Volts

Forward Current: 1.0 Amp

RoHS Device

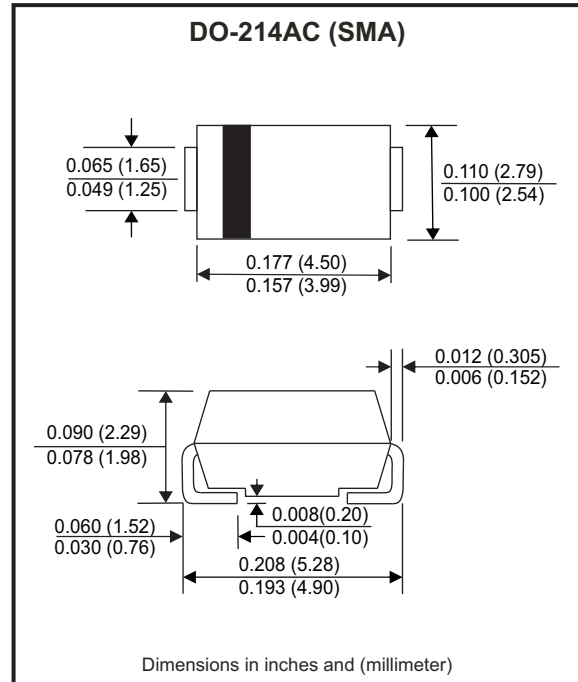


### Features

- Glass Passivation Junction.
- High current capability.
- High surge current capability.
- Low reverse current.

### Mechanical data

- Case: DO-214AC / SMA, molded plastic.
- Epoxy: UL flammability classification rate 94V-0.
- Terminals: Lead free plating (Tin finish).  
Solderable per MIL-STD-750, Method 2026.
- Polarity: Indicated by cathode band.
- Weight: 0.062 grams(approx.).



### Circuit diagram



### Maximum Ratings (at TA=25°C unless otherwise noted)

| Parameter   | Symbol          | CGRA 4001-G       | CGRA 4002-G | CGRA 4003-G | CGRA 4004-G | CGRA 4005-G | CGRA 4006-G | CGRA 4007-G | Units        |         |
|---|-----------------|-------------------|-------------|-------------|-------------|-------------|-------------|-------------|--------------|---------|
| Max. repetitive peak reverse voltage  | $V_{RRM}$       | 50                | 100         | 200         | 400         | 600         | 800         | 1000        | V            |         |
| Max. DC blocking voltage  | $V_{DC}$        | 50                | 100         | 200         | 400         | 600         | 800         | 1000        | V            |         |
| Max. RMS voltage  | $V_{RMS}$       | 35                | 70          | 140         | 280         | 420         | 560         | 700         | V            |         |
| Peak forward surge current, 8.3ms single half sine-wave superimposed on rated load (JEDEC method) | $I_{FSM}$       | 30                |             |             |             |             |             |             | A            |         |
| Max. average forward rectified current  | $I_F$           | 1.0               |             |             |             |             |             |             | A            |         |
| Max. instantaneous forward voltage $I_F=1.0A @ 25^\circ C$  | $V_F$           | 1.1               |             |             |             |             |             |             | V            |         |
| Max. DC reverse current at rated  | $I_R$           | $T_A=25^\circ C$  | 5           |             |             |             |             |             |              | $\mu A$ |
| DC blocking voltage   |                 | $T_A=100^\circ C$ | 50          |             |             |             |             |             |              |         |
| Typical junction capacitance (Note 1)   | $C_J$           | 10                |             |             |             |             |             |             | pF           |         |
| Typical thermal resistance  | $R_{\theta JC}$ | 70                |             |             |             |             |             |             | $^\circ C/W$ |         |
| Operating temperature range   | $T_J$           | -55 to +150       |             |             |             |             |             |             | $^\circ C$   |         |
| Storage temperature range   | $T_{STG}$       | -55 to +150       |             |             |             |             |             |             | $^\circ C$   |         |

Notes: 1. Measured at 1.0MHZ and applied reverse voltage of 4.0V DC.

Company reserves the right to improve product design , functions and reliability without notice.

REV: E

## Rating and Characteristic Curves (CGRA4001-G thru. CGRA4007-G)

Fig.1 - Typical Forward Current Derating Curve

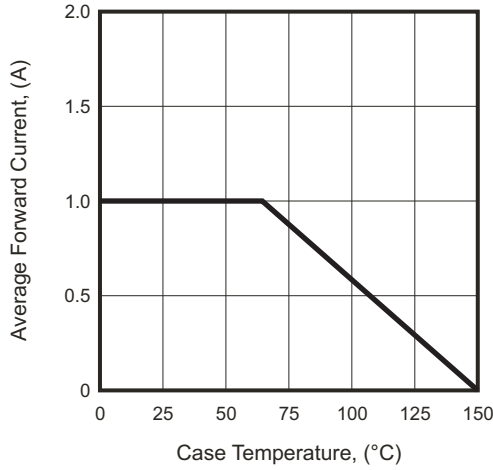


Fig.2 - Typical Forward Characteristics

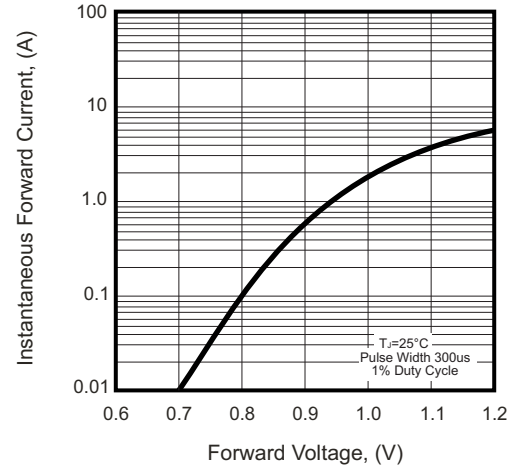


Fig.3 - Maximum Non-repetitive Forward Surge Current

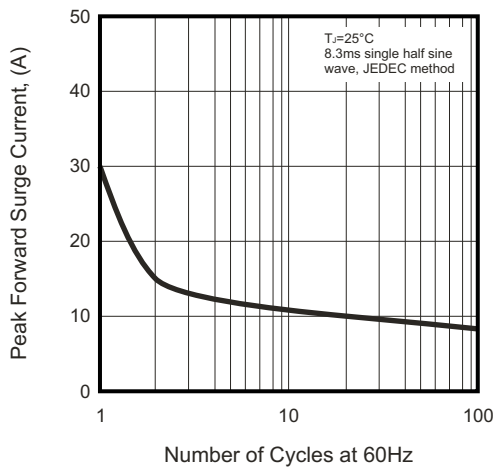


Fig.4 - Typical Reverse Characteristics

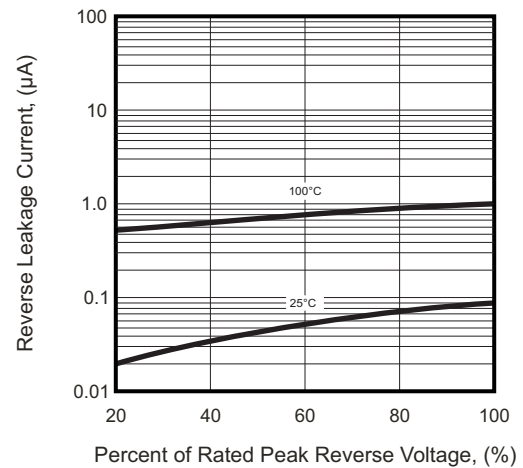
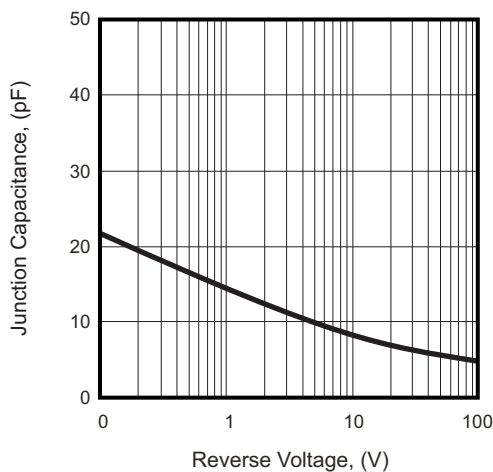


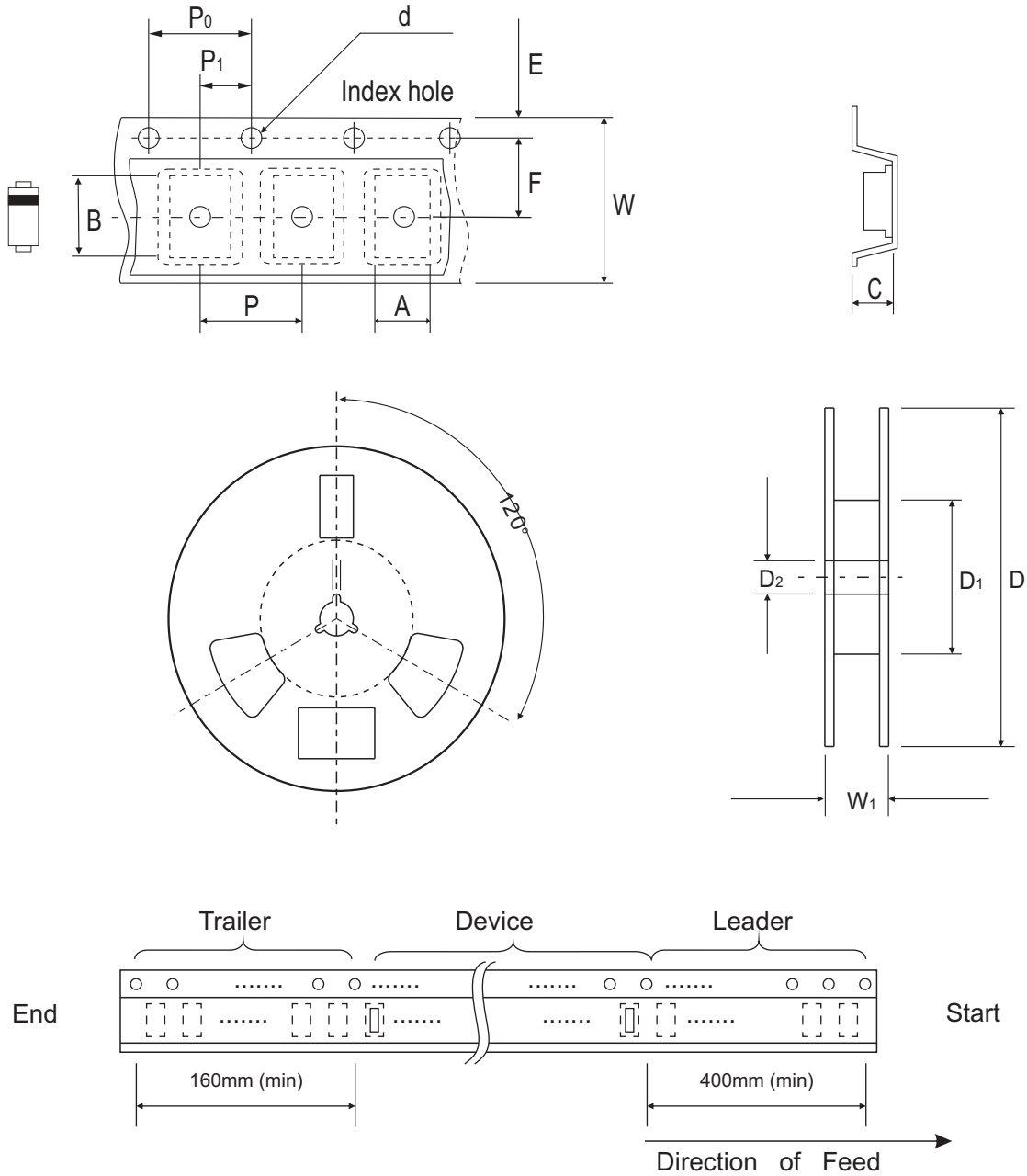
Fig.5 - Typical Junction Capacitance



Company reserves the right to improve product design, functions and reliability without notice.

REV: E

## Reel Taping Specification



| DO-214AC (SMA) | SYMBOL | A          | B          | C          | d             | D             | D <sub>1</sub> | D <sub>2</sub> |
|----------------|--------|------------|------------|------------|---------------|---------------|----------------|----------------|
|                | (mm)   | 2.90 MAX.  | 5.90 MAX.  | 2.66 MAX.  | 1.50 ± 0.10   | 330 ± 2.00    | 50 MIN.        | 13.50 ± 1.00   |
|                | (inch) | 0.114 MAX. | 0.232 MAX. | 0.105 MAX. | 0.059 ± 0.004 | 13.00 ± 0.079 | 1.969 MIN.     | 0.531 ± 0.039  |

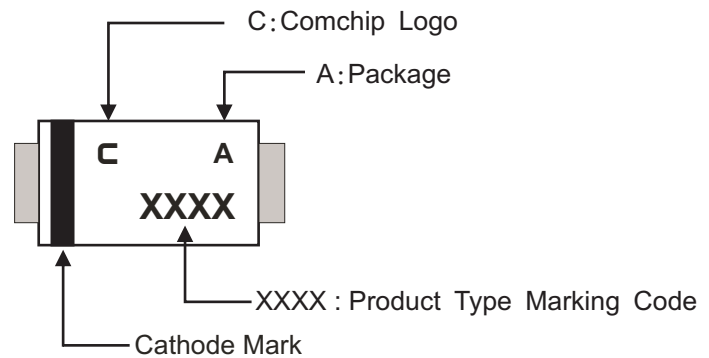
| DO-214AC (SMA) | SYMBOL | E             | F             | P             | P <sub>0</sub> | P <sub>1</sub> | W             | W <sub>1</sub> |
|----------------|--------|---------------|---------------|---------------|----------------|----------------|---------------|----------------|
|                | (mm)   | 1.75 ± 0.10   | 5.50 ± 0.05   | 4.00 ± 0.10   | 4.00 ± 0.10    | 2.00 ± 0.05    | 12.00 ± 0.30  | 18.40 MAX.     |
|                | (inch) | 0.069 ± 0.004 | 0.217 ± 0.002 | 0.157 ± 0.004 | 0.157 ± 0.004  | 0.079 ± 0.002  | 0.472 ± 0.012 | 0.724 MAX.     |

Company reserves the right to improve product design, functions and reliability without notice.

REV: E

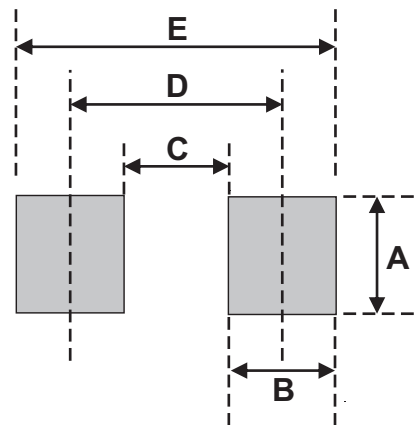
## Marking Code

| Part Number | Marking code |
|-------------|--------------|
| CGRA4001-G  | 4001         |
| CGRA4002-G  | 4002         |
| CGRA4003-G  | 4003         |
| CGRA4004-G  | 4004         |
| CGRA4005-G  | 4005         |
| CGRA4006-G  | 4006         |
| CGRA4007-G  | 4007         |



## Suggested PAD Layout

| SIZE | DO-214AC (SMA) |        |
|------|----------------|--------|
|      | (mm)           | (inch) |
| A    | 1.70           | 0.067  |
| B    | 2.50           | 0.098  |
| C    | 1.50           | 0.059  |
| D    | 4.00           | 0.157  |
| E    | 6.50           | 0.256  |



Note:

1. The pad layout is for reference purposes only.

## Standard Packaging

| Case Type         | REEL PACK       |                     |
|-------------------|-----------------|---------------------|
|                   | REEL<br>( pcs ) | Reel Size<br>(inch) |
| DO-214AC<br>(SMA) | 5,000           | 13                  |

## X-ON Electronics

Largest Supplier of Electrical and Electronic Components

*Click to view similar products for [Rectifiers](#) category:*

*Click to view products by [Comchip](#) manufacturer:*

Other Similar products are found below :

[70HFR40](#) [RL252-TP](#) [150KR30A](#) [1N5397](#) [NTE5841](#) [NTE6038](#) [SCF5000](#) [1N4002G](#) [1N4005-TR](#) [JANS1N6640US](#) [VS-80-7161](#) [481235F](#)  
[RRE02VS6SGTR](#) [067907F](#) [MS306](#) [70HF40](#) [T85HFL60S02](#) [US2JFL-TP](#) [A1N5404G-G](#) [CRS04\(T5L,TEMQ\)](#) [ACGRA4007-HF](#)  
[ACGRB207-HF](#) [CLH03\(TE16L,Q\)](#) [ACGRC307-HF](#) [ACEFC304-HF](#) [NTE6356](#) [NTE6359](#) [NTE6002](#) [NTE6023](#) [NTE6039](#) [NTE6077](#)  
[85HFR60](#) [40HFR60](#) [1N1186RA](#) [70HF120](#) [85HFR80](#) [D126A45C](#) [SCF7500](#) [D251N08B](#) [SCHJ22.5K](#) [SM100](#) [SCPA2](#) [SCH10000](#) [SDHD5K](#)  
[VS-12FL100S10](#) [ACGRA4001-HF](#) [D1821SH45T PR](#) [D1251S45T](#) [NTE5990](#) [NTE6358](#)