

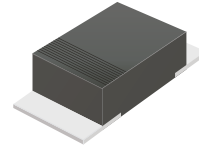
## CGRKM4001-HF Thru. CGRKM4007-HF

Reverse Voltage: 50 to 1000 Volts

Forward Current: 1.0 Amp

RoHS Device

Halogen Free



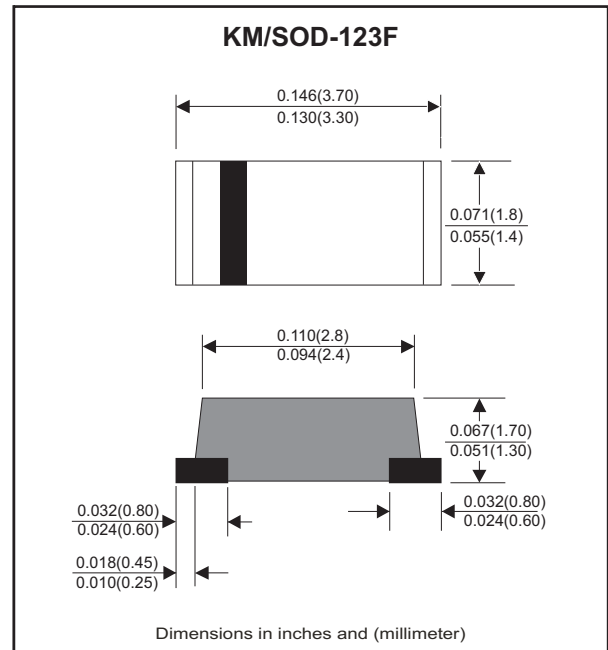
### Features

- Ideal for surface mount applications
- Easy pick and place
- Exceeds environmental standard MIL-STD-19500/228
- Low leakage current

### Mechanical data

- Epoxy: UL94V-0 rated flame retardant
- Case: Molded plastic, SOD-123F
- Terminals: Solderable per MIL-STD-750, method 2026
- Polarity: Indicated by cathode band
- Weight: 0.027 grams approx.

### Circuit diagram



### Maximum Ratings (at $T_A=25^\circ\text{C}$ unless otherwise noted)

Parameter	Symbol	CGRKM 4001-HF	CGRKM 4002-HF	CGRKM 4003-HF	CGRKM 4004-HF	CGRKM 4005-HF	CGRKM 4006-HF	CGRKM 4007-HF	Unit
Maximum repetitive peak reverse voltage	$V_{RRM}$	50	100	200	400	600	800	1000	V
Maximum DC blocking voltage	$V_{DC}$	50	100	200	400	600	800	1000	V
Maximum RMS voltage	$V_{RMS}$	35	70	140	280	420	560	700	V
Maximum averaged forward current	$I_o$	1.0							A
Maximum Instantaneous forward voltage at $I_F=1.0A$	$V_F$	1.1				1.0	1.1		V
Forward surge current, 8.3ms single half sine-wave superimposed on rated load (JEDEC method)	$I_{FSM}$	30							A
Reverse current at rated DC blocking voltage	@ $T_A=25^\circ\text{C}$	5							$\mu\text{A}$
	@ $T_A=100^\circ\text{C}$	50							
Thermal resistance, junction to ambient air	$R_{\theta JA}$	60							$^\circ\text{C/W}$
Operating junction temperature	$T_J$	-55 to +150							$^\circ\text{C}$
Storage temperature range	$T_{STG}$	-65 to +170							$^\circ\text{C}$
Junction capacitance $f=1\text{MHz}$ and applied 4V DC reverse voltage	$C_J$	15							pF

Notes: 1. Thermal resistance from junction to ambient and from junction to lead mounted on 0.2x0.2"(5.0x5.0mm) copper pad areas.

Company reserves the right to improve product design, functions and reliability without notice.

REV:H

## Rating and Characteristic Curves (CGRKM4001-HF Thru. CGRKM4007-HF)

Fig.1- Current Derating Curve

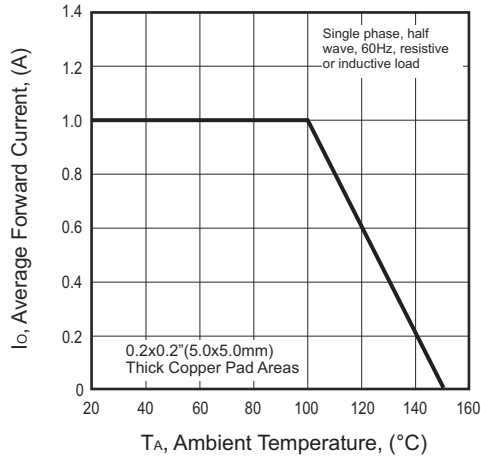


Fig.2- Forward Characteristics

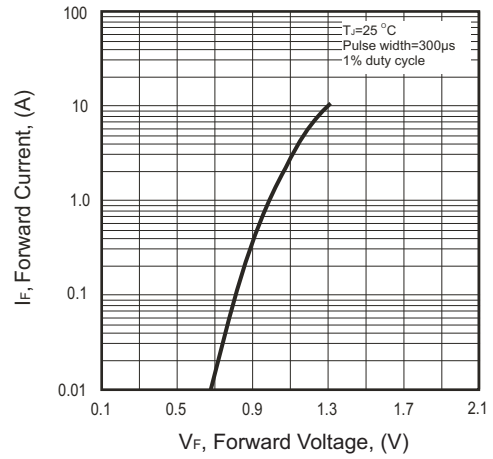


Fig.3- Non-repetitive Forward Surge Current

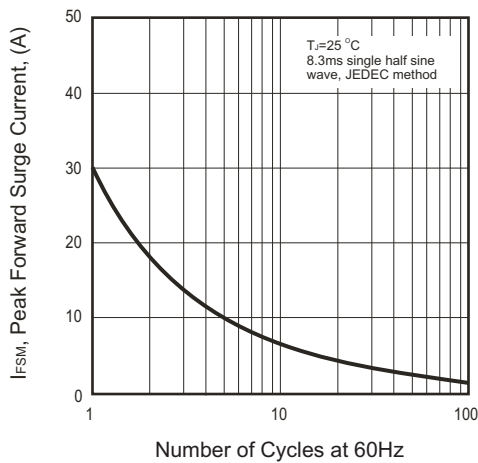


Fig.4- Reverse Characteristics

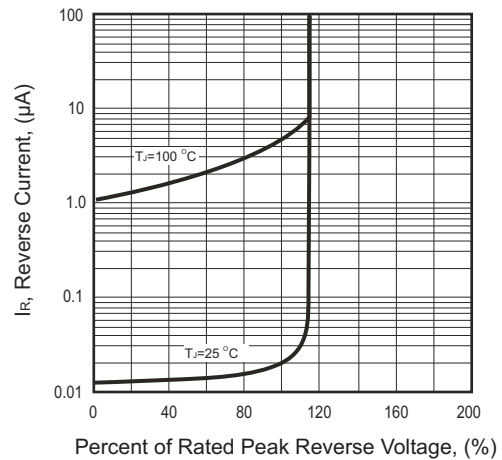
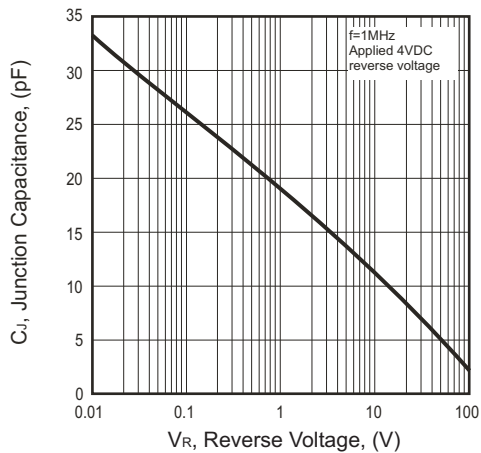


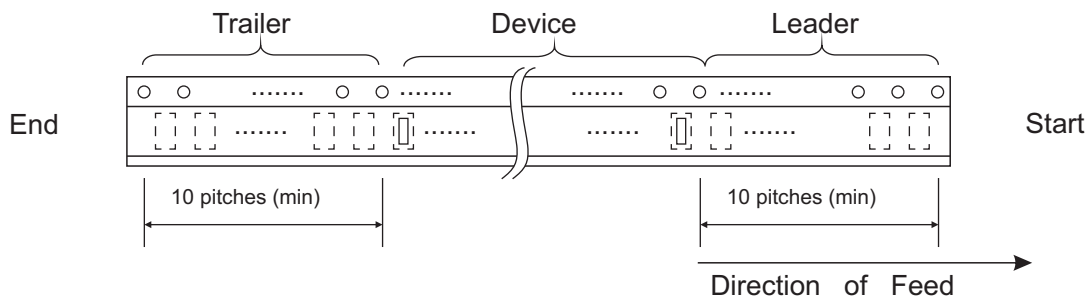
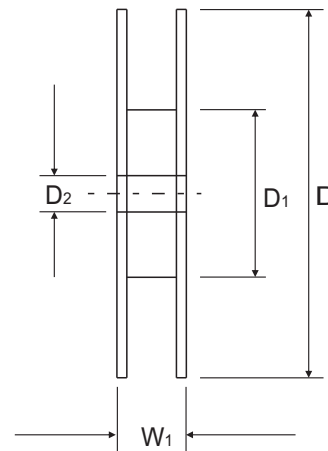
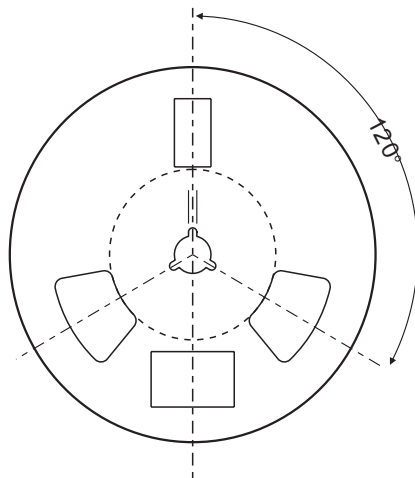
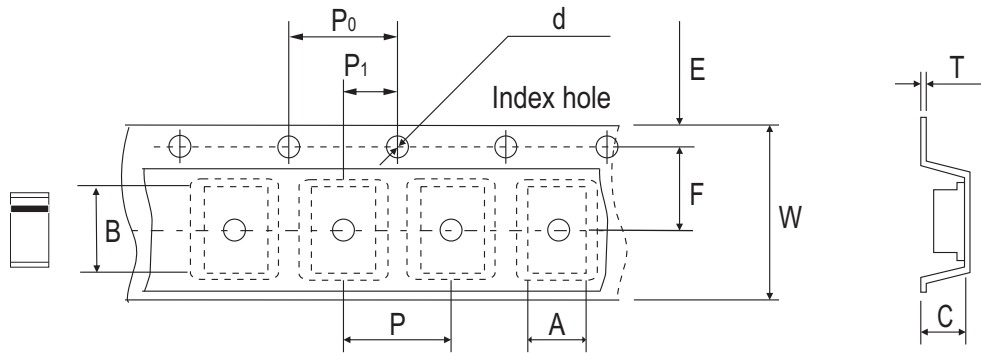
Fig.5- Junction Capacitance



Company reserves the right to improve product design, functions and reliability without notice.

REV:H

## Reel Taping Specification



KM/ SOD-123F	SYMBOL	A	B	C	d	D	D1	D2
	(mm)	1.90 ± 0.10	3.90 ± 0.10	1.68 ± 0.10	1.50 ± 0.10	178 ± 2.00	62.0 MIN.	13.0 ± 0.50
	(inch)	0.075 ± 0.04	0.154 ± 0.04	0.066 ± 0.04	0.059 ± 0.004	7.00 ± 0.079	2.440 MIN.	0.512 ± 0.020

KM/ SOD-123F	SYMBOL	E	F	P	P0	P1	T	W	W1
	(mm)	1.75 ± 0.10	3.50 ± 0.10	4.00 ± 0.10	4.00 ± 0.10	2.00 ± 0.10	0.23 ± 0.10	8.00 ± 0.30	11.40 ± 1.0
	(inch)	0.069 ± 0.004	0.138 ± 0.004	0.157 ± 0.004	0.157 ± 0.004	0.079 ± 0.004	0.009 ± 0.004	0.315 ± 0.012	0.449 ± 0.004

Company reserves the right to improve product design, functions and reliability without notice.

REV:H

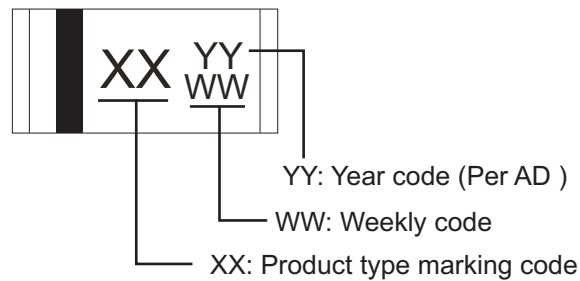
## Marking Code

Part Number	Marking Code
CGRKM4001(T)-HF	A1
CGRKM4002(T)-HF	A2
CGRKM4003(T)-HF	A3
CGRKM4004(T)-HF	A4
CGRKM4005(T)-HF	A5
CGRKM4006(T)-HF	A6
CGRKM4007(T)-HF	A7

Note:

1) Suffix code after part number to specify packaging item .

Packaging	Code
REEL PACK 7"	NA
REEL PACK 13"	T



- Year Code: The last two number, AD 2016=16
- Weekly Code: 01~xx(The fast week~final week)

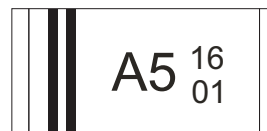
## Product code printed

For example as follows:

P/N: CGRKM4005-HF

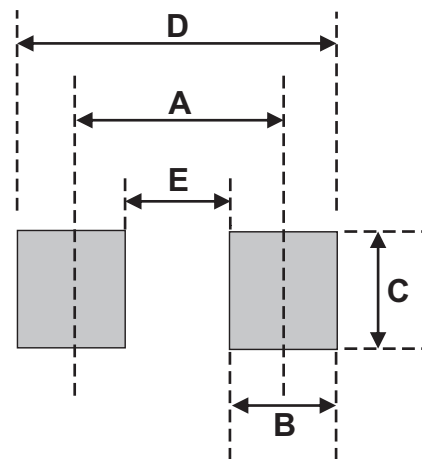
Manufacture date\_ Year: 2016 / Weekly:01

Product code printed:



## Suggested PAD Layout

SIZE	KM/SOD-123F	
	(mm)	(inch)
A	3.30	0.130
B	1.40	0.055
C	1.90	0.075
D	4.70	0.185
E	1.90	0.075



## Standard Packaging

Case Type	REEL PACK	
	REEL ( pcs )	Reel Size (inch)
KM/ SOD-123F	2,500	7
	10,000	13

Company reserves the right to improve product design , functions and reliability without notice.

REV:H

## X-ON Electronics

Largest Supplier of Electrical and Electronic Components

*Click to view similar products for [Rectifiers](#) category:*

*Click to view products by [Comchip](#) manufacturer:*

Other Similar products are found below :

[70HFR40](#) [RL252-TP](#) [150KR30A](#) [1N5397](#) [NTE5841](#) [NTE6038](#) [SCF5000](#) [1N4002G](#) [1N4005-TR](#) [JANS1N6640US](#) [481235F](#)  
[RRE02VS6SGTR](#) [067907F](#) [MS306](#) [70HF40](#) [T110HF60](#) [T85HFL60S02](#) [US2JFL-TP](#) [A1N5404G-G](#) [CRS04\(T5L,TEMQ\)](#) [ACGRA4007-HF](#)  
[ACGRB207-HF](#) [CLH03\(TE16L,Q\)](#) [ACGRC307-HF](#) [ACEFC304-HF](#) [NTE6356](#) [NTE6359](#) [NTE6002](#) [NTE6023](#) [NTE6039](#) [NTE6077](#)  
[85HFR60](#) [40HFR60](#) [1N1186RA](#) [70HF120](#) [85HFR80](#) [D126A45C](#) [SCF7500](#) [D251N08B](#) [SCHJ22.5K](#) [SM100](#) [SCPA2](#) [SCH10000](#) [SDHD5K](#)  
[VS-12FL100S10](#) [ACGRA4001-HF](#) [D1821SH45T PR](#) [D1251S45T](#) [NTE5990](#) [NTE6358](#)