

CPDA10R5V0SP-HF

RoHS Device

Halogen Free

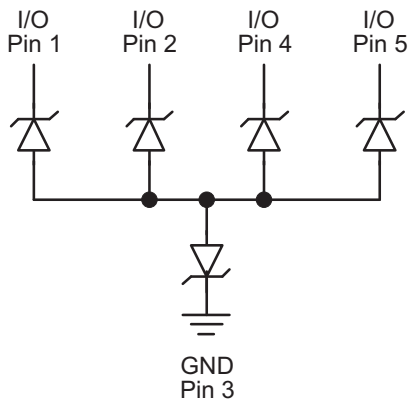
Features

- IEC61000-4-2 (ESD)±14kV(Contact),±15kV(Air).
- Working voltage: 5.0 V
- Low leakage current.
- Low capacitance: 0.15 pF typical (I/O to GND)

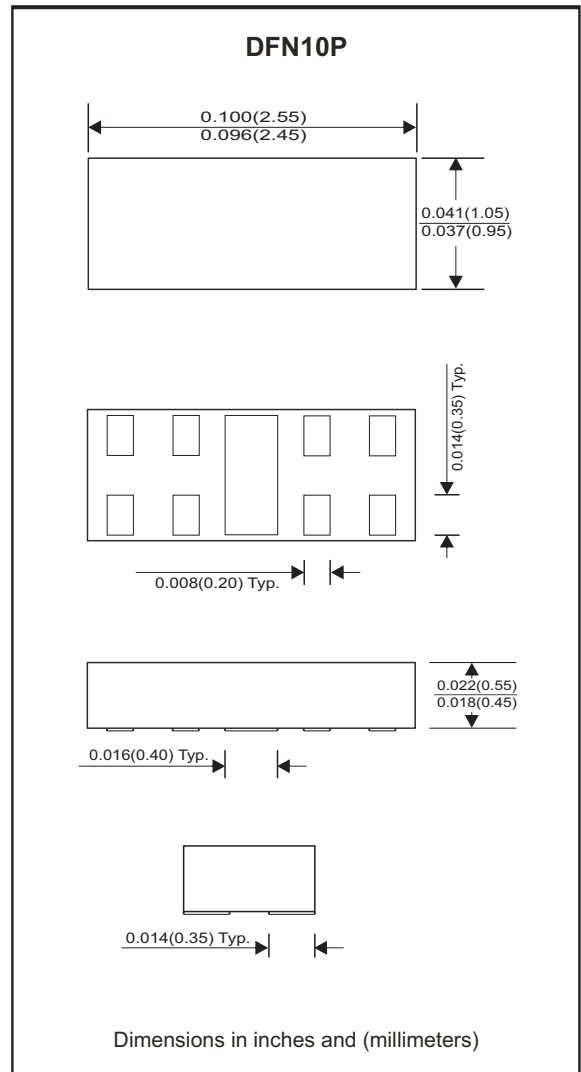
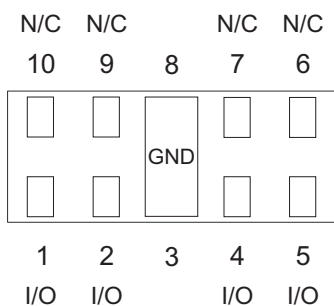
Mechanical data

- Case: DFN10p package,molded plastic.
- Terminals: Gold plated, solderable per MIL-STD-750,method 2026.
- Mounting position: Any

Circuit Diagram



Package



Maximum Rating (at TA=25°C unless otherwise noted)

Parameter	Symbol	Value	Unit
Peak pulse power (tp = 8/20 us)	PPP	60	W
Peak pulse current (tp = 8/20 us)	I _{PP}	3	A
ESD per IEC 61000-4-2(Air) ESD per IEC 61000-4-2(Contact)	ESD	±15 ±14	kV
Operating temperature	T _J	-55 to +125	°C
Storage temperature	T _{STG}	-55 to +150	°C

Electrical Characteristics (at TA=25 °C unless otherwise noted)

Parameter	Conditions	Symbol	Min	Typ	Max	Unit
Reverse stand-off voltage		V _{RWM}			5.0	V
Breakdown voltage	I _R = 1mA	V _{BR}	6.0			V
Leakage current	V _R = 5.0V	I _L			50	nA
Clamping voltage	I _{PP} = ±1A, T _p = 8/20us Any Channel Pin to Ground	V _C		12		V
Junction capacitance	V _R = 0 V, f = 1MHz Any Channel Pin to Ground	C _j		0.15	0.25	pF

RATING AND CHARACTERISTIC CURVES (CPDA10R5V0SP-HF)

Fig.1 - 8/20us Peak Pulse Current Waveform ACC. IEC 61000-4-5

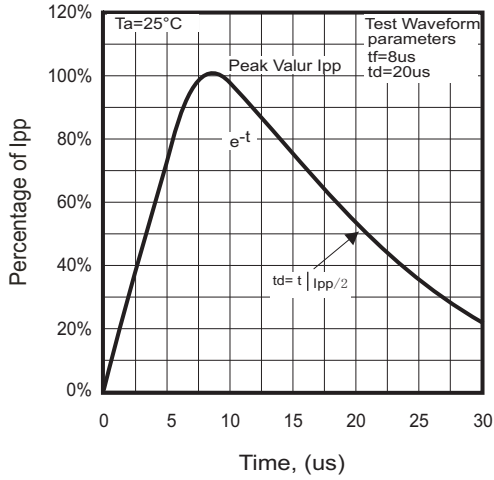


Fig.2 - Typical Capacitance Between Terminals Characteristics

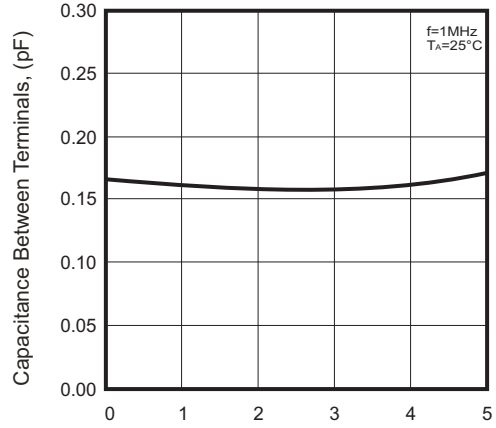


Fig.3 - Typical Clamping Voltage Vs. Peak Pulse Current

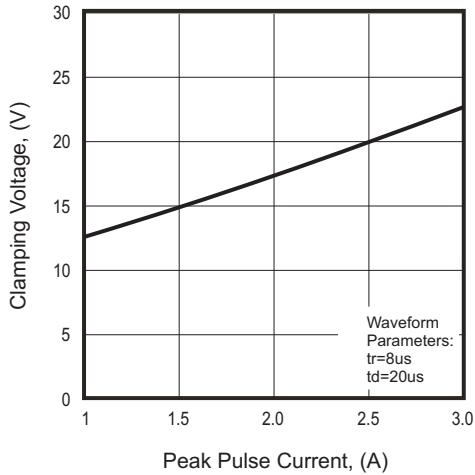
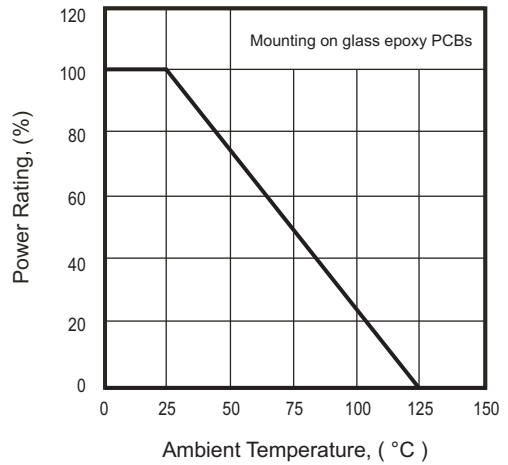
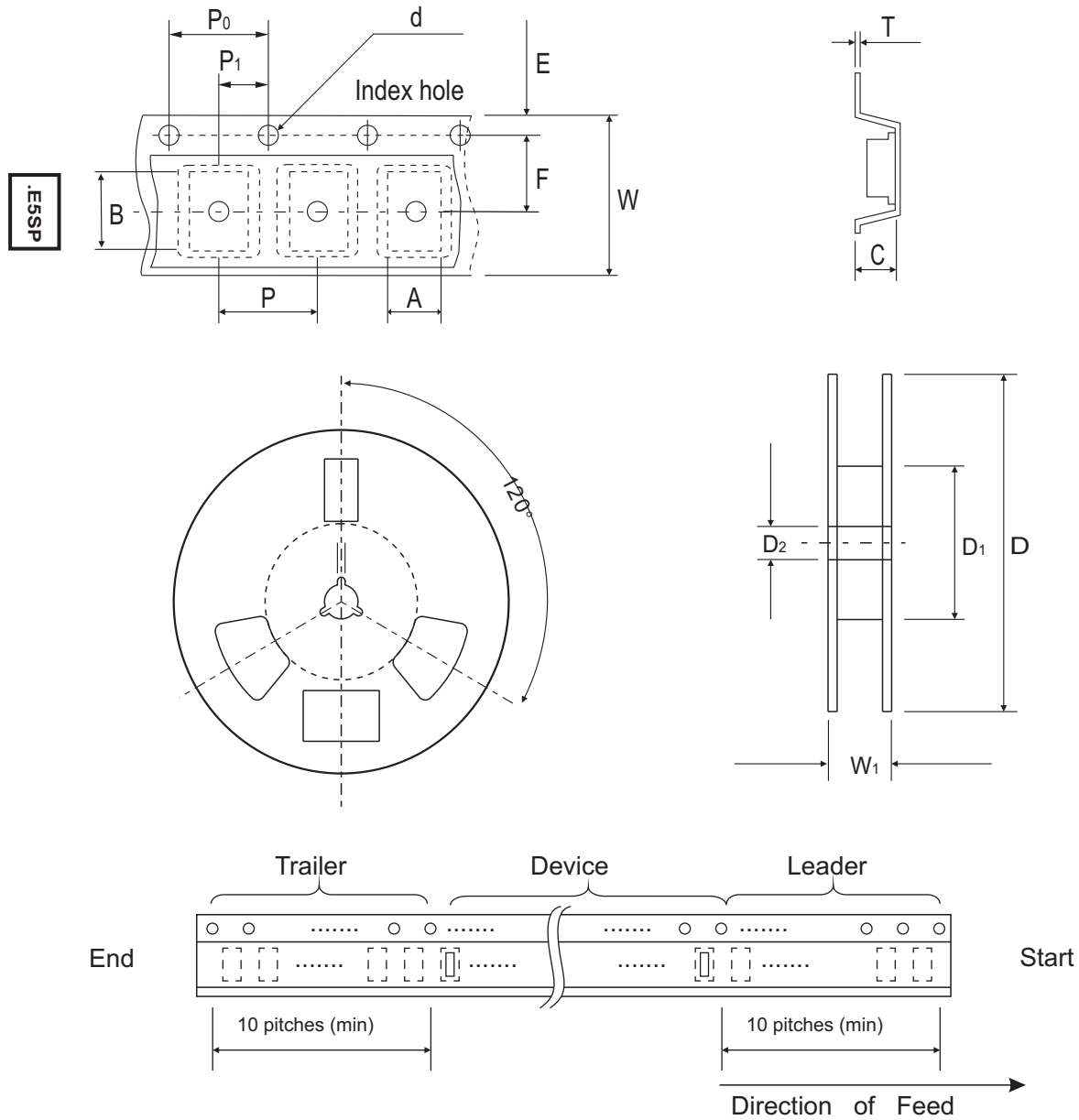


Fig.4 - Power Rating Derating Curve



Reel Taping Specification



DFN10P	SYMBOL	A	B	C	d	D	D ₁	D ₂
	(mm)	1.14 ± 0.05	2.64 ± 0.05	0.64 ± 0.05	1.50 + 0.10 - 0	178 ± 1	60.0 + 0.50 - 0	13.0 ± 0.20
	(inch)	0.045 ± 0.002	0.104 ± 0.002	0.025 ± 0.002	0.059 + 0.004 - 0	7.008 ± 0.039	2.362 + 0.020 - 0	0.512 ± 0.008

DFN10P	SYMBOL	E	F	P	P ₀	P ₁	T	W	W ₁
	(mm)	1.75 ± 0.10	3.50 ± 0.05	4.00 ± 0.10	4.00 ± 0.10	2.00 ± 0.05	0.20 ± 0.05	8.00 ± 0.30	12.0 ± 0.15
	(inch)	0.069 ± 0.004	0.138 ± 0.002	0.157 ± 0.004	0.157 ± 0.004	0.079 ± 0.002	0.008 ± 0.002	0.315 ± 0.012	0.472 ± 0.006

Company reserves the right to improve product design, functions and reliability without notice.

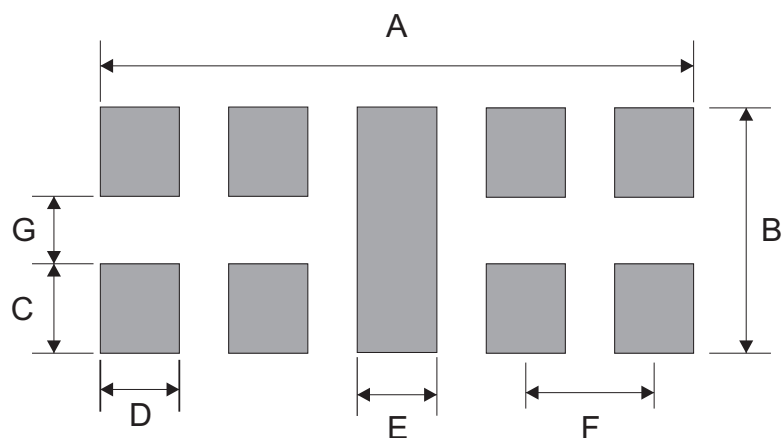
Marking Code

Part Number	Marking Code
CPDA10R5V0SP-HF	.E5SP



Suggested PAD Layout

SIZE	DFN10P	
	(mm)	(inch)
A	2.30	0.091
B	1.00	0.039
C	0.38	0.015
D	0.30	0.012
E	0.30	0.012
F	0.50	0.020
G	0.24	0.009



Standard Packaging

Case Type	Qty Per Reel	Reel Size
	(Pcs)	(inch)
DFN10P	3,000	7

X-ON Electronics

Largest Supplier of Electrical and Electronic Components

Click to view similar products for [ESD Suppressors / TVS Diodes](#) category:

Click to view products by [Comchip](#) manufacturer:

Other Similar products are found below :

[60KS200C](#) [D12V0H1U2WS-7](#) [D18V0L1B2LP-7B](#) [82356050220](#) [D5V0M5U6V-7](#) [NTE4902](#) [P4KE27CA](#) [P6KE11CA](#) [P6KE39CA-TP](#)
[P6KE8.2A](#) [SA110CA](#) [SA60CA](#) [SA64CA](#) [SMBJ12CATR](#) [SMBJ8.0A](#) [SMLJ30CA-TP](#) [ESD101-B1-02ELS E6327](#) [ESD112-B1-02EL E6327](#)
[ESD119B1W01005E6327XTSA1](#) [ESD5V0L1B02VH6327XTSA1](#) [ESD7451N2T5G](#) [19180-510](#) [CPDT-5V0USP-HF](#) [3.0SMCJ33CA-F](#)
[3.0SMCJ36A-F](#) [HSPC16701B02TP](#) [D3V3Q1B2DLP3-7](#) [D55V0M1B2WS-7](#) [DESD5V0U1BL-7B](#) [DRTR5V0U4SL-7](#) [SCM1293A-04SO](#)
[ESD200-B1-CSP0201 E6327](#) [ESD203-B1-02EL E6327](#) [SM12-7](#) [SMF8.0A-TP](#) [SMLJ45CA-TP](#) [CEN955 W/DATA](#) [82350120560](#)
[82356240030](#) [VESD12A1A-HD1-GS08](#) [CPDUR5V0R-HF](#) [CPDUR24V-HF](#) [CPDQC5V0U-HF](#) [CPDQC5V0USP-HF](#) [CPDQC5V0-HF](#)
[D1213A-01LP4-7B](#) [D1213A-02WL-7](#) [ESDLIN1524BJ-HQ](#) [5KP100A](#) [5KP15A](#)