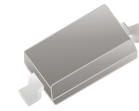


CPDV3V3A-HF

RoHS Device
Halogen Free

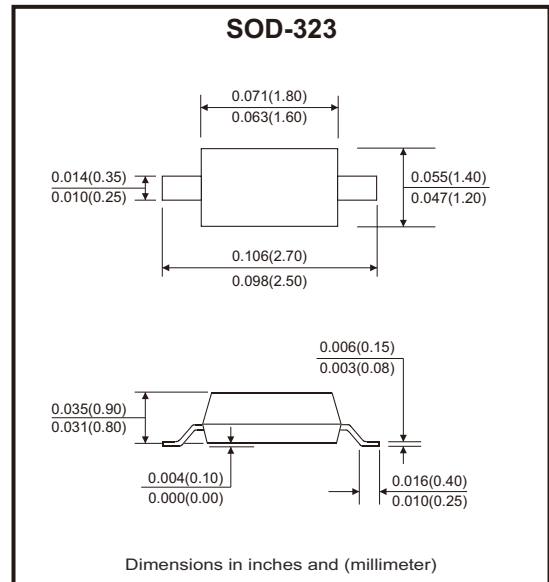


Features

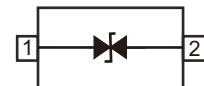
- Transient protection for high-speed data lines
IEC61000-4-2 (ESD) $\pm 15\text{kV}$ (air), $\pm 8\text{kV}$ (contact)
IEC61000-4-4 (EFT) 40A (5/50ns)
Cable discharge event (CDE)
- Ultra-small package.
- Protects one data, control line.
- Low capacitance: 0.25pF (typical).
- Low leakage current.
- Low clamping voltage.

Mechanical data

- Case: SOD-323 package.
- Flammability rating: UL 94V-0.
- High temperature soldering guaranteed:
260°C/10s



Circuit diagram



Maximum Rating (at Ta=25°C unless otherwise noted)

Parameter	Symbol	Value	Unit
ESD per IEC 61000-4-2 (air)	V _{ESD}	± 20	kV
ESD per IEC 61000-4-2 (contact)		± 20	
Peak pulse power (8/20 μ s)	P _{PP}	100	W
Operating temperature range	T _{OPT}	-55 to +125	°C
Storage temperature range	T _{STG}	-55 to +150	°C

Electrical Characteristics (at Ta=25°C unless otherwise noted)

Parameter	Conditions	Symbol	Min	Typ	Max	Unit
Reverse working voltage		V _{RWM}			3.3	V
Reverse breakdown voltage	I _T = 1mA	V _{BR}	4.2			V
Reverse leakage current	V _{RWM} = 3.3V	I _R			100	nA
Clamping voltage	I _{PP} = 1A, T _P = 8/20 μ s	V _C			12	V
	I _{PP} = 4A, T _P = 8/20 μ s				25	
Junction capacitance	V _R = 0V, f = 1MHz	C _J		0.25	0.4	pF

Rating and Characteristic Curves (CPDV3V3A-HF)

Fig.1 - Power Derating Curve

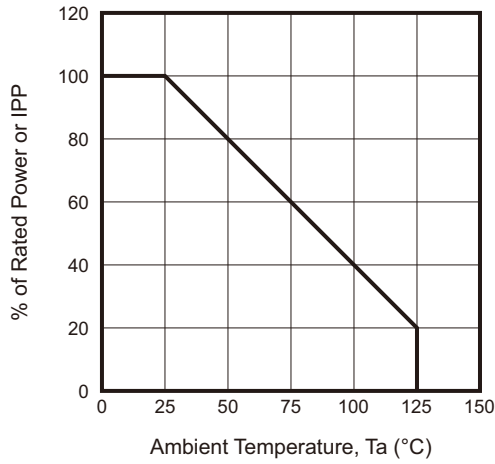


Fig.2 - Clamping Voltage vs Peak Pulse Current

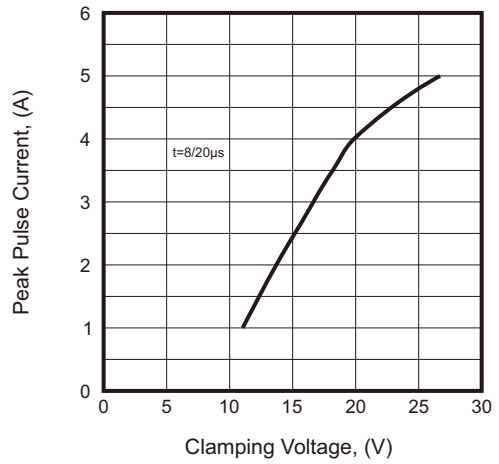


Fig.3 - Voltage Sweeping

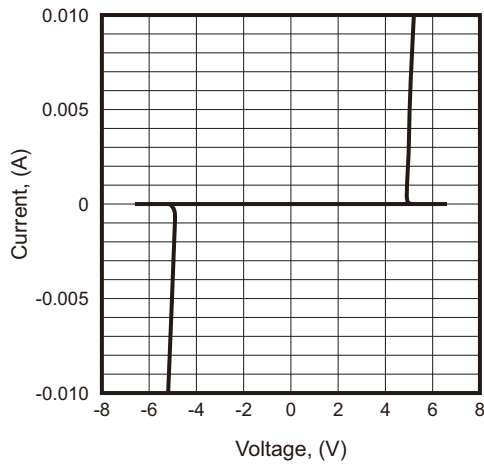


Fig.4 - Voltage vs Capacitance

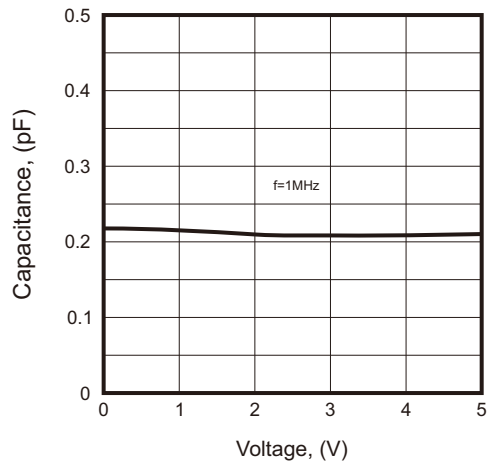


Fig.5 - ESD Clamping (+8kV Contact per IEC 61000-4-2)

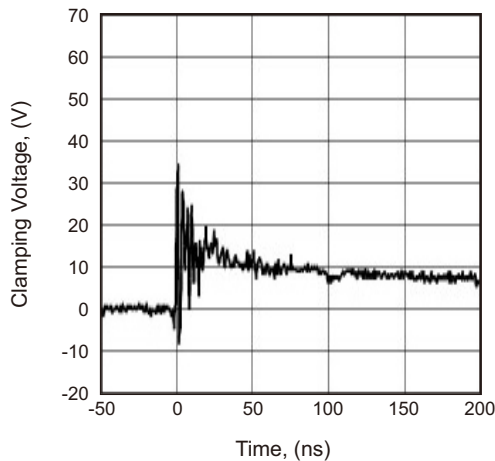
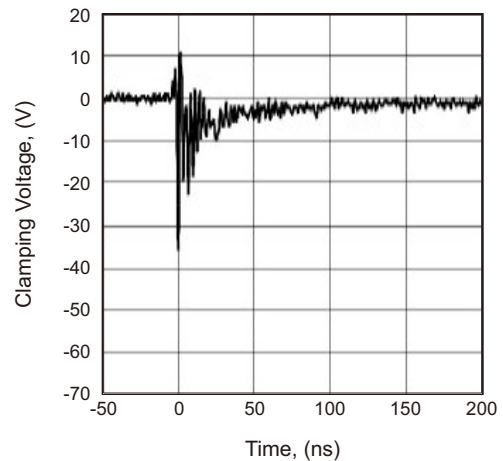
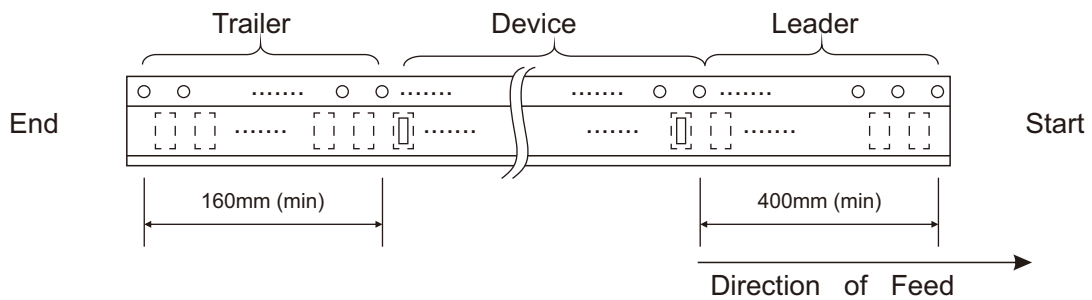
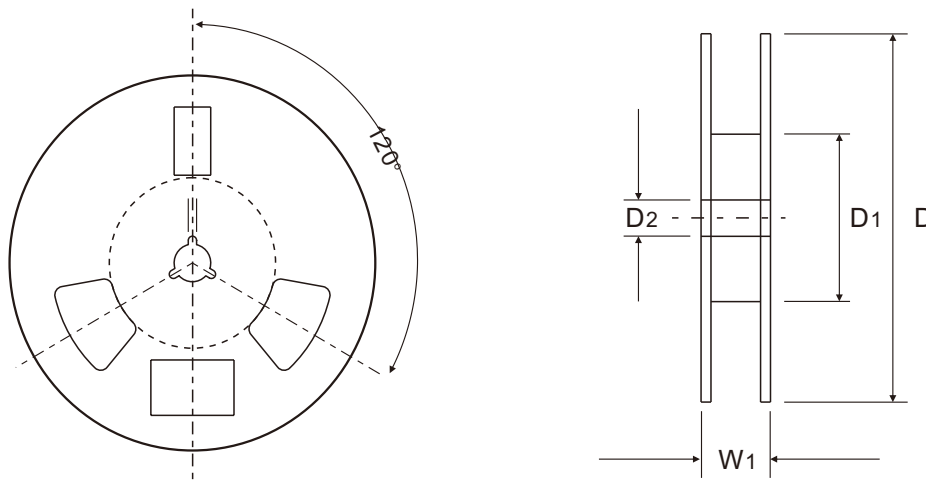
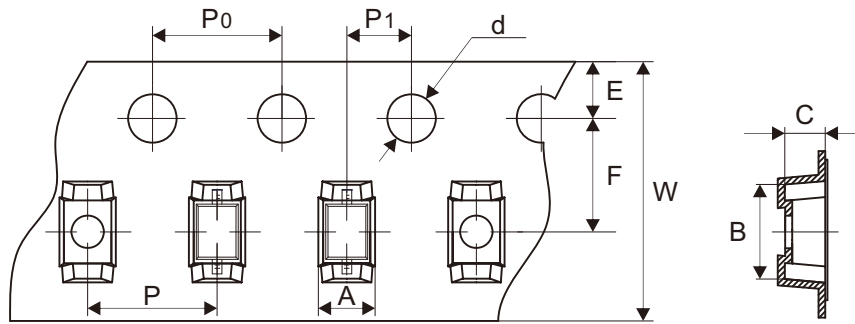


Fig.6 - ESD Clamping (-8kV Contact per IEC 61000-4-2)



Reel Taping Specification



SOD-323	SYMBOL	A	B	C	d	D	D1	D2
	(mm)	1.46 ± 0.05	2.90 ± 0.05	1.25 ± 0.05	1.50 ± 0.10	178.00 ± 2.00	54.40 ± 1.00	13.00 ± 1.00
	(inch)	0.057 ± 0.002	0.114 ± 0.002	0.049 ± 0.002	0.059 ± 0.004	7.008 ± 0.079	2.142 ± 0.039	0.512 ± 0.039

SOD-323	SYMBOL	E	F	P	P0	P1	W	W1
	(mm)	1.75 ± 0.10	3.50 ± 0.10	4.00 ± 0.10	4.00 ± 0.10	2.00 ± 0.10	8.00 + 0.30 - 0.10	12.30 ± 1.00
	(inch)	0.069 ± 0.004	0.138 ± 0.004	0.157 ± 0.004	0.157 ± 0.004	0.079 ± 0.004	0.315 + 0.012 - 0.004	0.484 ± 0.039

Company reserves the right to improve product design, functions and reliability without notice. REV:A

Marking Code

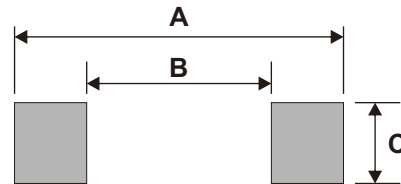
Part Number	Marking Code
CPDV3V3A-HF	3BU



xxx = Product type marking code

Suggested PAD Layout

SIZE	SOD-323	
	(mm)	(inch)
A	2.85	0.112
B	1.60	0.063
C	0.85	0.033



Note: 1. The pad layout is for reference purposes only.

Standard Packaging

Case Type	REEL PACK	
	REEL (pcs)	Reel Size (inch)
SOD-323	3,000	7

X-ON Electronics

Largest Supplier of Electrical and Electronic Components

Click to view similar products for [ESD Suppressors / TVS Diodes](#) category:

Click to view products by [Comchip](#) manufacturer:

Other Similar products are found below :

[60KS200C](#) [D12V0H1U2WS-7](#) [D18V0L1B2LP-7B](#) [82356050220](#) [D5V0M5U6V-7](#) [NTE4902](#) [P4KE27CA](#) [P6KE11CA](#) [P6KE39CA-TP](#)
[P6KE8.2A](#) [SA110CA](#) [SA60CA](#) [SA64CA](#) [SMBJ12CATR](#) [SMBJ8.0A](#) [SMLJ30CA-TP](#) [ESD101-B1-02ELS E6327](#) [ESD112-B1-02EL E6327](#)
[ESD119B1W01005E6327XTSA1](#) [ESD5V0J4-TP](#) [ESD5V0L1B02VH6327XTSA1](#) [ESD7451N2T5G](#) [19180-510](#) [CPDT-5V0USP-HF](#)
[3.0SMCJ33CA-F](#) [3.0SMCJ36A-F](#) [HSPC16701B02TP](#) [D3V3Q1B2DLP3-7](#) [D55V0M1B2WS-7](#) [DESD5V0U1BL-7B](#) [DRTR5V0U4SL-7](#)
[SCM1293A-04SO](#) [ESD200-B1-CSP0201 E6327](#) [ESD203-B1-02EL E6327](#) [SM12-7](#) [SMF8.0A-TP](#) [SMLJ45CA-TP](#) [CEN955 W/DATA](#)
[82350120560](#) [82356240030](#) [VESD12A1A-HD1-GS08](#) [CPDUR5V0R-HF](#) [CPDUR24V-HF](#) [CPDQC5V0U-HF](#) [CPDQC5V0USP-HF](#)
[CPDQC5V0-HF](#) [D1213A-01LP4-7B](#) [D1213A-02WL-7](#) [ESDLIN1524BJ-HQ](#) [5KP100A](#)