

## CPINUC5206-HF

RoHS Device  
Halogen Free



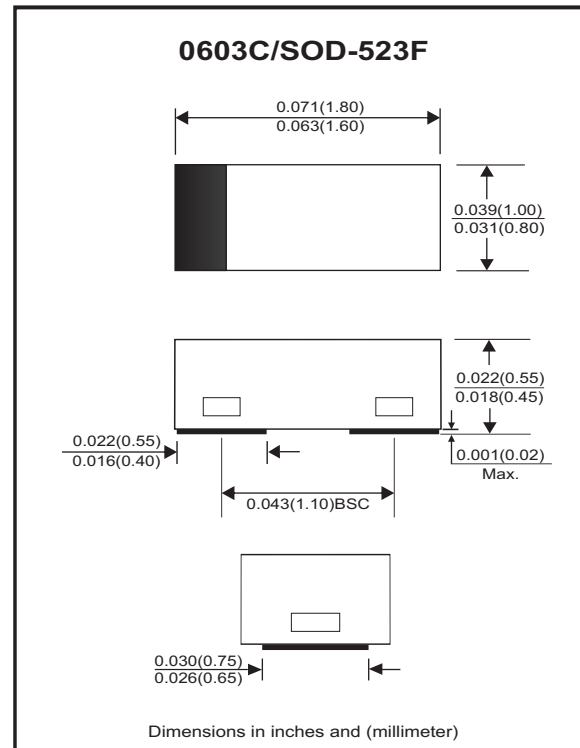
### Features

- Low series resistance.
- Low insertion loss.
- Low capacitance.
- High isolation.

### Mechanical data

- Case: SOD-523F (0603C) standard package, molded plastic.
- Terminals: Matte tin plated, solderable per MIL-STD-750, method 2026.
- Polarity: Indicated by cathode band.
- Weight: 0.003 grams(approx.).

### Circuit diagram



### Maximum Rating (at $T_A=25^\circ\text{C}$ unless otherwise noted)

Parameter	Conditions	Symbol	Value	Unit
Reverse voltage		$V_R$	180	V
Power dissipation	Mounting on glass epoxy PCB (50mm x 50mm x 1.6mm)	$P_D$	300	mW
Junction temperature range		$T_j$	150	$^\circ\text{C}$
Storage temperature range		$T_{STG}$	-55~+150	$^\circ\text{C}$

### Electrical Characteristics (at $T_A=25^\circ\text{C}$ unless otherwise noted)

Parameter	Conditions	Symbol	Min	Typ	Max	Unit
Reverse current	$V_R = 180\text{V}$	$I_R$			10	$\mu\text{A}$
Forward voltage	$I_F = 50\text{mA}$	$V_F$			1.0	V
Forward series resistance	$I_F = 50\text{mA}$ , $f = 100\text{MHz}$	$R_{fs}$		1.0	1.5	$\Omega$
Diode capacitance	$V_R = 40\text{V}$ , $f = 100\text{MHz}$	$C_T$		0.15	0.22	pF
Parallel resistance	$V_R = 0\text{V}$ , $f = 100\text{MHz}$	$R_p$	5.0	10.0		k $\Omega$
Insertion loss	$I_F = 30\text{mA}$ , $f = 3\text{GHz}$	$I_L (1)$		-0.18		dB
Isolation	$V_R = -20\text{V}$ , $f = 3\text{GHz}$	$I_{so} (1)$		-10		dB

Notes: 1. Series configuration  $Z_0=50\Omega$ . Losses of test fixtures are excluded from the measuring data.

## TYPICAL PERFORMANCE CHARACTERISTICS (CPINUC5206-HF)

Fig.1 - Forward Current vs. Forward Voltage Characteristics

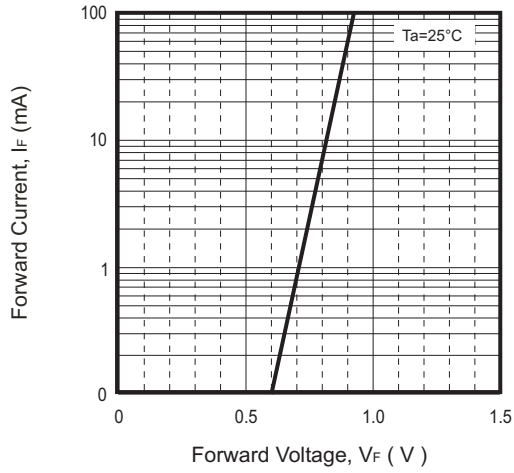


Fig.2 - Reverse Current vs. Reverse Voltage Characteristics

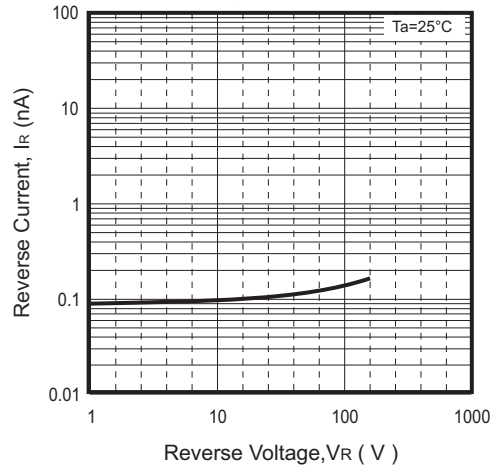


Fig.3 - Forward Series Resistance Vs. Forward Current Characteristics

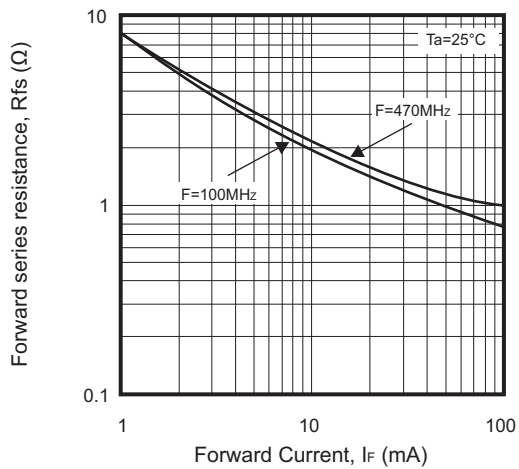
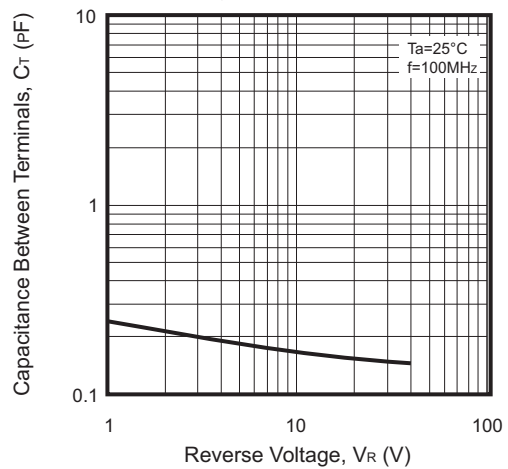
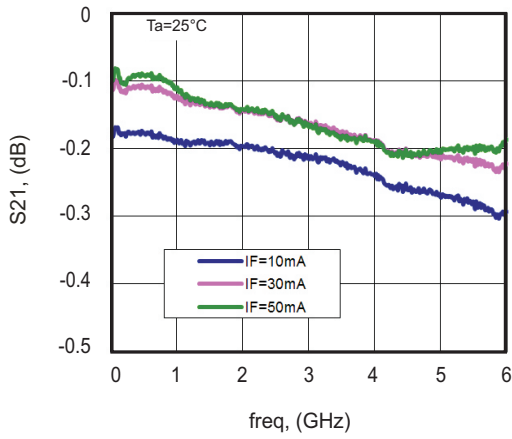


Fig.4 - Diode Capacitance Vs. Reverse Voltage Characteristics

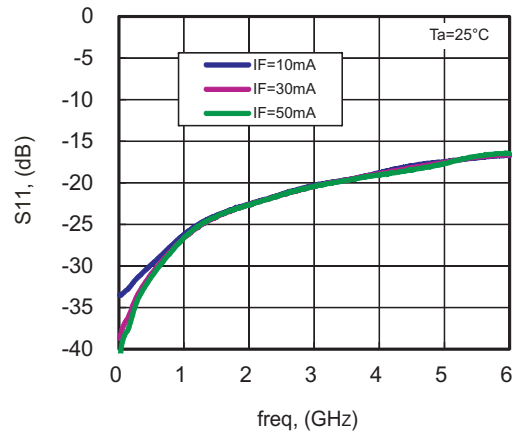


## TYPICAL PERFORMANCE CHARACTERISTICS (CPINUC5206-HF)

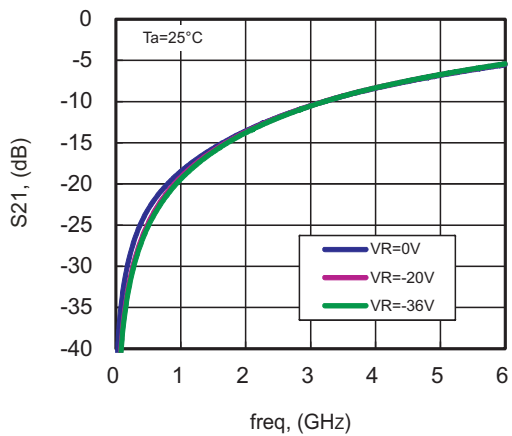
Insertion Loss



Return Loss

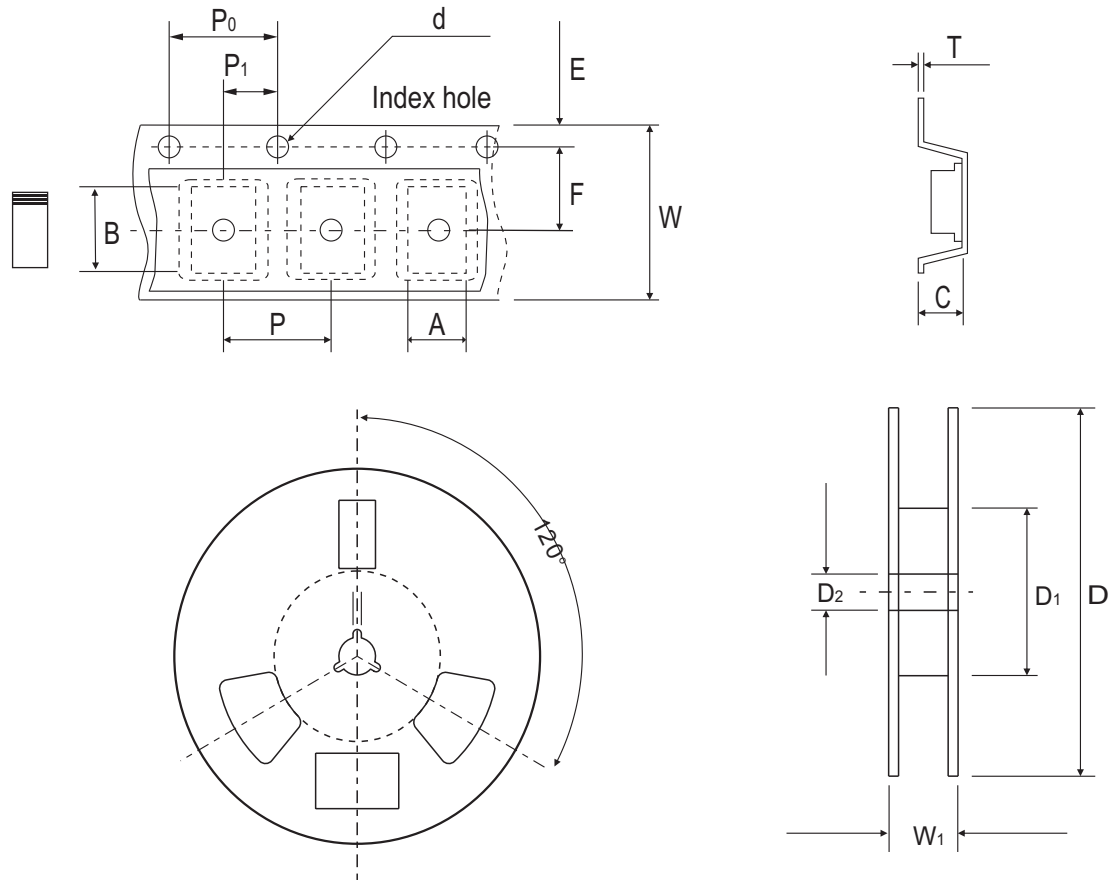


Isolation



\*) Series configuration.  $Z_0=50\Omega$   
 Losses of test fixtures are excluded from the measuring date.

**Reel Taping Specification**

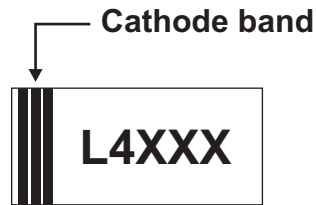


0603C/ SOD-523F	SYMBOL	A	B	C	d	D	D <sub>1</sub>	D <sub>2</sub>
	(mm)	1.05 ± 0.05	1.96 ± 0.05	0.57 ± 0.05	1.50 + 0.10 - 0	178.00 ± 1.00	60.00 ± 0.50	13.50 ± 0.20
	(inch)	0.041 ± 0.002	0.077 ± 0.002	0.022 ± 0.002	0.059 + 0.004 - 0	7.008 ± 0.039	2.362 ± 0.020	0.531 ± 0.008

0603C/ SOD-523F	SYMBOL	E	F	P	P <sub>0</sub>	P <sub>1</sub>	T	W	W <sub>1</sub>
	(mm)	1.75 ± 0.10	3.50 ± 0.05	4.00 ± 0.10	4.00 ± 0.05	2.00 ± 0.05	0.20 ± 0.03	8.00 ± 0.20	12.00 + 0.50 - 0
	(inch)	0.069 ± 0.004	0.138 ± 0.002	0.157 ± 0.004	0.157 ± 0.002	0.079 ± 0.002	0.008 ± 0.001	0.315 ± 0.008	0.472 + 0.020 - 0

## Marking Code

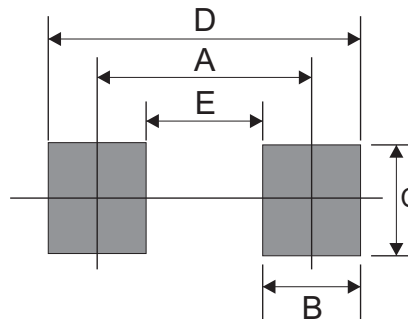
Part Number	Marking Code
CPINUC5206-HF	L4XXX



XXX = Lot Code (3~4 digits)

## Suggested PAD Layout

SIZE	0603C/SOD-523F	
	(mm)	(inch)
A	1.10	0.043
B	0.60	0.024
C	0.80	0.031
D	1.70	0.067
E	0.50	0.020



## Standard Packaging

Case Type	REEL PACK	
	REEL ( pcs )	Reel Size (inch)
0603C/SOD-523F	4,000	7

## X-ON Electronics

Largest Supplier of Electrical and Electronic Components

*Click to view similar products for [PIN Diodes](#) category:*

*Click to view products by [Comchip](#) manufacturer:*

Other Similar products are found below :

[MA45471](#) [MA4SPS502](#) [APD2220-000](#) [BAR9002ELSE6327XTSA1](#) [APD0810-000](#) [MA4FCP200](#) [MA4GP907](#) [MA4L032-186](#) [MA4L401-30](#)  
[MA4P606-258](#) [MA4P7435NM-1091T](#) [MA4PK2000](#) [MA4PK2001](#) [MA4PK2004](#) [MADP-007167-12250T](#) [MADP-030025-13140P](#) [BAR 64-](#)  
[02V H6327](#) [MA4PBL027](#) [MA4AGFCP910](#) [MA4P7101F-1072T](#) [MA4L022-30](#) [MA47047-54](#) [CLA4610-000](#) [BAR 89-02LRH E6327](#)  
[UM7108B](#) [UM9701](#) [1SV308,L3F](#) [UM9301SM](#) [GC4723-42](#) [MA4L011-1088](#) [MSW2001-200](#) [SMP1321-000](#) [UM4010SM](#) [UM6002B](#)  
[UM7006A](#) [UM7006B](#) [UM7108C](#) [GC4742-42](#) [MADP-000015-000030](#) [MGPN1503-C01A](#) [LXP1000-23-2](#) [LXP1004-23-2](#) [LXP1004-23-0](#)  
[MPP4202-206](#) [MPP4205-206](#) [SMP1321-011LF](#) [MA4L021-1056](#) [MSW2031-203](#) [MLP7120-11](#) [MSWSE-050-10](#)