

## CT Series -G

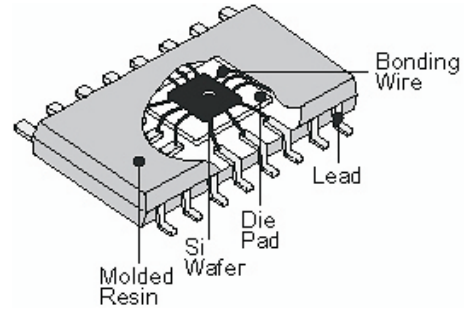
### RoHS Device

### Features

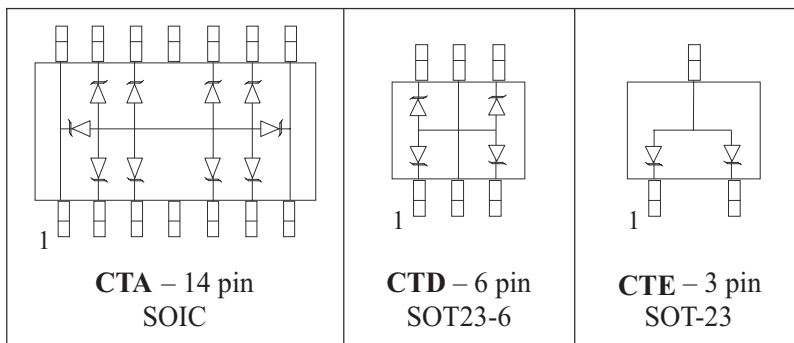
- (16kV) IEC 61000-4-2 rating.
- 8/20  $\mu$ S transient rated.
- Six working voltages (3.3, 5, 12, 24).

### Applications

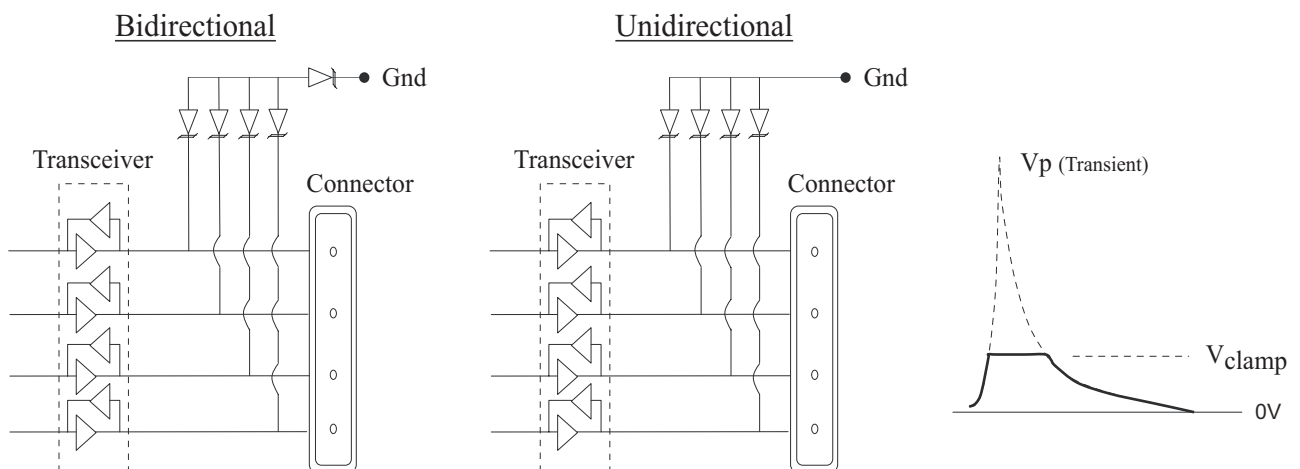
- Transient / ESD suppression.
- LAN/WAN.
- Peripherals.
- Set-Top Boxes.



### Circuit Schematic



### Application Schematic



## Maximum Ratings and Electrical Characteristics

Specifications: (Ta=25°C)

| Rating                    | Symbol          | Value          | Units |
|---------------------------|-----------------|----------------|-------|
| Peak pulse power (8/20µS) | P <sub>PK</sub> | 300            | Watts |
| Operating Temp. range     | T <sub>J</sub>  | -55 to +125 °C | °C    |
| Soldering temperature     | T <sub>L</sub>  | 260 (10sec)    | °C    |

### 3.3V Volt Characteristics (3V3)

| Symbol          | Characteristics           | Min | Max | Units | Test Conditions        |
|-----------------|---------------------------|-----|-----|-------|------------------------|
| V <sub>BD</sub> | Reverse breakdown voltage | 4.0 |     | V     | I <sub>F</sub> =1mA    |
| I <sub>L</sub>  | Reverse leakage current   |     | 50  | µA    | @V <sub>BD</sub> =3.3V |
| C <sub>T</sub>  | Capacitance               |     | 350 | pF    | @1MHz                  |
| V <sub>C</sub>  | Channel clamp voltage     |     | 8   | V     | 8/20µS, 1A             |
| I <sub>PP</sub> | Peak pulse current        |     | 17  | A     | 8/20µS                 |

### 5V Volt Characteristics (5V0)

| Symbol          | Characteristics           | Min | Max | Units | Test Conditions      |
|-----------------|---------------------------|-----|-----|-------|----------------------|
| V <sub>BD</sub> | Reverse breakdown voltage | 6.0 |     | V     | I <sub>F</sub> =1mA  |
| I <sub>L</sub>  | Reverse leakage current   |     | 10  | µA    | @V <sub>BD</sub> =5V |
| C <sub>T</sub>  | Capacitance               |     | 350 | pF    | @1MHz                |
| V <sub>C</sub>  | Channel clamp voltage     |     | 10  | V     | 8/20µS, 1A           |
| I <sub>PP</sub> | Peak pulse current        |     | 17  | A     | 8/20 µ S             |

### 12V Volt Characteristics (12V)

| Symbol          | Characteristics           | Min  | Max | Units | Test Conditions       |
|-----------------|---------------------------|------|-----|-------|-----------------------|
| V <sub>BD</sub> | Reverse breakdown voltage | 13.3 |     | V     | I <sub>F</sub> =1mA   |
| I <sub>L</sub>  | Reverse leakage current   |      | 1   | µA    | @V <sub>BD</sub> =12V |
| C <sub>T</sub>  | Capacitance               |      | 120 | pF    | @1MHz                 |
| V <sub>C</sub>  | Channel clamp voltage     |      | 20  | V     | 8/20µS, 1A            |
| I <sub>PP</sub> | Peak pulse current        |      | 12  | A     | 8/20 µ S              |

### 24V Volt Characteristics (24V)

| Symbol          | Characteristics           | Min  | Max | Units | Test Conditions       |
|-----------------|---------------------------|------|-----|-------|-----------------------|
| V <sub>BD</sub> | Reverse breakdown voltage | 26.7 |     | V     | I <sub>F</sub> =1mA   |
| I <sub>L</sub>  | Reverse leakage current   |      | 1   | µA    | @V <sub>BD</sub> =24V |
| C <sub>T</sub>  | Capacitance               |      | 50  | pF    | @1MHz                 |
| V <sub>C</sub>  | Channel clamp voltage     |      | 43  | V     | 8/20µS, 1A            |
| I <sub>PP</sub> | Peak pulse current        |      | 5   | A     | 8/20 µ S              |

### Ordering Information:

**CTA**

**N14**

**24V**

**-G**

**Type**

**Package Code**

**Voltage**

**RoHS compliant**

CTA From table below

3V3

CTD

5V0

CTE

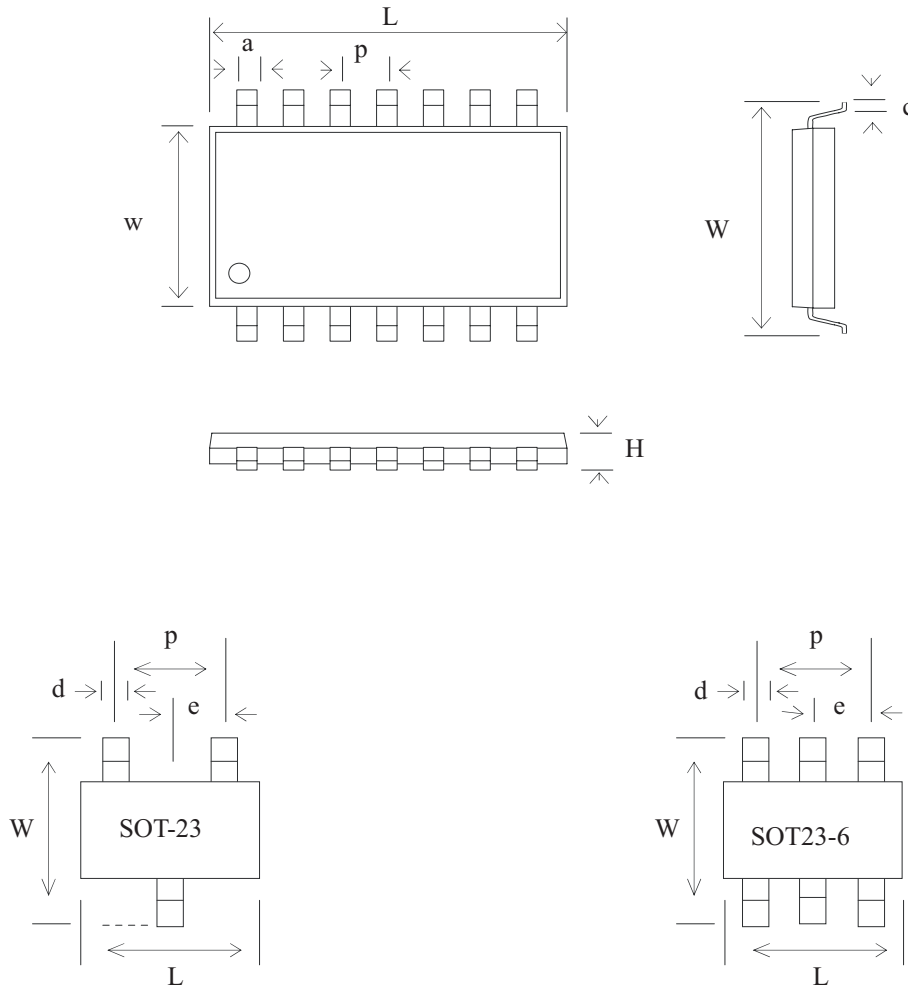
12V

24V

# 300W Transient Voltage Suppressor

## Package Information:

Dimensions in ( mm )



| Package Code | Package Power | Number of Pins | L ± 0.2 | W ± 0.2 | w ± 0.2 | p ± 0.2 | e ± 0.1 | A ± 0.1 | d ± 0.1 | H ± 0.2 |
|--------------|---------------|----------------|---------|---------|---------|---------|---------|---------|---------|---------|
| N14          | 0.6W          | 14             | 8.66    | 5.99    | 3.81    | 1.60    | 1.27    | 0.41    | 0.66    | 0.95    |
| S03          | 0.225W        | 3              | 2.92    | 2.30    | 0.95    | 1.91    | 0.95    | 0.53    | 0.43    | 0.95    |
| S06          | 0.225W        | 6              | 2.92    | 2.80    | 1.20    | 1.91    | 0.95    | 0.53    | 0.43    | 0.95    |

## X-ON Electronics

Largest Supplier of Electrical and Electronic Components

*Click to view similar products for [ESD Suppressors / TVS Diodes](#) category:*

*Click to view products by [Comchip](#) manufacturer:*

Other Similar products are found below :

[60KS200C](#) [D12V0H1U2WS-7](#) [D18V0L1B2LP-7B](#) [82356050220](#) [D5V0M5U6V-7](#) [NTE4902](#) [P4KE27CA](#) [P6KE11CA](#) [P6KE39CA-TP](#)  
[P6KE8.2A](#) [SA110CA](#) [SA60CA](#) [SA64CA](#) [SMBJ12CATR](#) [SMBJ8.0A](#) [SMLJ30CA-TP](#) [ESD101-B1-02ELS E6327](#) [ESD112-B1-02EL E6327](#)  
[ESD119B1W01005E6327XTSA1](#) [ESD5V0L1B02VH6327XTSA1](#) [ESD7451N2T5G](#) [19180-510](#) [CPDT-5V0USP-HF](#) [3.0SMCJ33CA-F](#)  
[3.0SMCJ36A-F](#) [HSPC16701B02TP](#) [D3V3Q1B2DLP3-7](#) [D55V0M1B2WS-7](#) [DESD5V0U1BL-7B](#) [DRTR5V0U4SL-7](#) [SCM1293A-04SO](#)  
[ESD200-B1-CSP0201 E6327](#) [ESD203-B1-02EL E6327](#) [SM12-7](#) [SMF8.0A-TP](#) [SMLJ45CA-TP](#) [CEN955 W/DATA](#) [82350120560](#)  
[82356240030](#) [VESD12A1A-HD1-GS08](#) [CPDUR5V0R-HF](#) [CPDUR24V-HF](#) [CPDQC5V0U-HF](#) [CPDQC5V0USP-HF](#) [CPDQC5V0-HF](#)  
[D1213A-01LP4-7B](#) [D1213A-02WL-7](#) [ESDLIN1524BJ-HQ](#) [5KP100A](#) [5KP15A](#)