

CZRA4728-HF Thru. CZRA4764-HF

Voltage: 3.3 to 100 Volts

Power: 1.0 Watts

RoHS Device

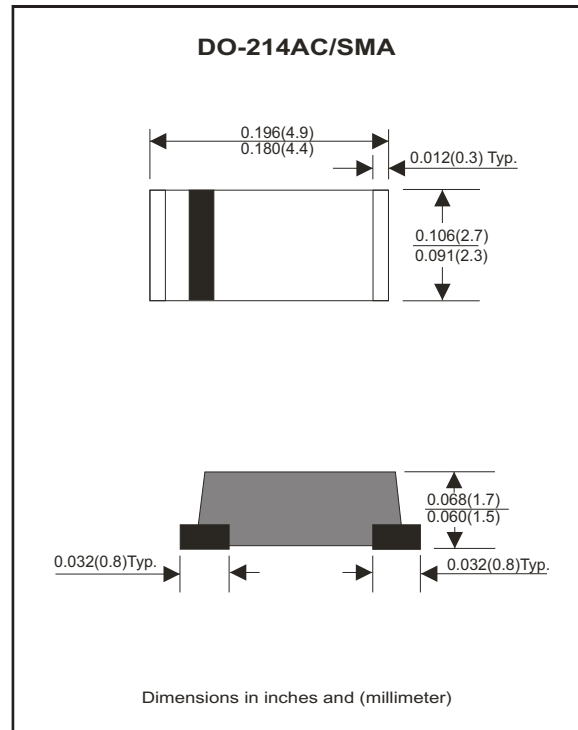
Halogen Free

Features

- Batch process design, excellent power dissipation offers better reverse leakage current and thermal resistance.
- Standard zener voltage tolerance $\pm 5\%$.
- Low inductance.
- Low profile package.
- Built-in strain relief.

Mechanical data

- Epoxy: UL94V-0 rated flame retardant.
- Case: Molded plastic, JEDEC DO-214AC/SMA
- Terminals: Solder Plated, solderable per MIL-STD-750, method 2026.
- Polarity: Indicated by cathode band.
- Mounting position: Any.
- Weight: 0.05 gram (approx.).



Maximum Ratings (T_A=25°C, unless otherwise noted)

Parameter	Condition	Symbol	MIN.	TYP.	MAX.	Units
Forward voltage	IF = 200 mA	V _F			1.20	V
Power Dissipation	@TL = 75°C	P _D			1000	mW
Thermal resistance	Junction to case (Note 1)	R _{θJC}		30		°C/W
	Junction to ambient (Note 1)	R _{θJA}		50		°C/W
Operating temperature		T _J	-55		+150	°C
Storage temperature		T _{STG}	-65		+175	°C

Note: 1. Mounted on 0.2"x0.2" (5x5mm) FR-4 PCB.

Electrical Characteristics (at TA = 25°C unless otherwise noted)

Part Number	Marking Code	Zener Voltage	Test Current	Zener Impedance			Leakage Current		Surge Current
		Vz@IzT	IzT	ZzT @ IzT	Zzk @ IzK	IzK	IR	VR	I _{surge}
		Volts	mA	oHMs	oHMs	mA	uA	Volts	mA
CZRA4728-HF	Z3V3	3.3	76	10	400	1.0	100	1.0	1380
CZRA4729-HF	Z3V6	3.6	69	10	400	1.0	100	1.0	1260
CZRA4730-HF	Z3V9	3.9	64	9	400	1.0	50	1.0	1190
CZRA4731-HF	Z4V3	4.3	58	9	400	1.0	10	1.0	1070
CZRA4732-HF	Z4V7	4.7	53	8	500	1.0	10	1.0	970
CZRA4733-HF	Z5V1	5.1	49	7	550	1.0	10	1.0	890
CZRA4734-HF	Z5V6	5.6	45	5	600	1.0	10	2.0	810
CZRA4735-HF	Z6V2	6.2	41	2	700	1.0	10	3.0	730
CZRA4736-HF	Z6V8	6.8	37	3.5	700	1.0	10	4.0	660
CZRA4737-HF	Z7V5	7.5	34	4	700	0.5	10	5.0	605
CZRA4738-HF	Z8V2	8.2	31	4.5	700	0.5	10	6.0	550
CZRA4739-HF	Z9V1	9.1	28	5	700	0.5	10	7.0	500
CZRA4740-HF	Z10	10	25	7	700	0.25	10	7.6	454
CZRA4741-HF	Z11	11	23	8	700	0.25	5	8.4	414
CZRA4742-HF	Z12	12	21	9	700	0.25	5	9.1	380
CZRA4743-HF	Z13	13	19	10	700	0.25	5	9.9	344
CZRA4744-HF	Z15	15	17	14	700	0.25	5	11.4	304
CZRA4745-HF	Z16	16	15.5	16	700	0.25	5	12.2	285
CZRA4746-HF	Z18	18	14	20	750	0.25	5	13.7	250
CZRA4747-HF	Z20	20	12.5	22	750	0.25	5	15.2	225
CZRA4748-HF	Z22	22	11.5	23	750	0.25	5	16.7	205
CZRA4749-HF	Z24	24	10.5	25	750	0.25	5	18.2	190
CZRA4750-HF	Z27	27	9.5	35	750	0.25	5	20.6	170
CZRA4751-HF	Z30	30	8.5	40	1000	0.25	5	22.8	150
CZRA4752-HF	Z33	33	7.5	45	1000	0.25	5	25.1	135
CZRA4753-HF	Z36	36	7.0	50	1000	0.25	5	27.4	125
CZRA4754-HF	Z39	39	6.5	60	1000	0.25	5	29.7	115
CZRA4755-HF	Z43	43	6.0	70	1500	0.25	5	32.7	110

Electrical Characteristics (at $T_A = 25^\circ\text{C}$ unless otherwise noted)

Part Number	Marking Code	Zener Voltage	Test Current	Zener Impedance			Leakage Current		Surge Current
		$V_Z @ I_{ZT}$	I_{ZT}	$Z_{ZT} @ I_{ZT}$	$Z_{ZK} @ I_{ZK}$	I_{ZK}	I_R	V_R	I_{surge}
		Volts	mA	(Ω)Max	(Ω)Max	mA	(μA)Max	Volts	mA
CZRA4756-HF	Z47	47	5.5	80	1500	0.25	5	35.8	95
CZRA4757-HF	Z51	51	5.0	95	1500	0.25	5	38.8	90
CZRA4758-HF	Z56	56	4.5	110	2000	0.25	5	42.6	80
CZRA4759-HF	Z62	62	4.0	125	2000	0.25	5	47.1	70
CZRA4760-HF	Z68	68	3.7	150	2000	0.25	5	51.7	65
CZRA4761-HF	Z75	75	3.3	175	2000	0.25	5	56.0	60
CZRA4762-HF	Z82	82	3.0	200	3000	0.25	5	62.2	55
CZRA4763-HF	Z91	91	2.8	250	3000	0.25	5	69.2	50
CZRA4764-HF	Z100	100	2.5	350	3000	0.25	5	76.0	45

Note: 5% tolerance of Zener voltage.

RATING AND CHARACTERISTIC CURVES (CZRA4728-HF Thru. CZRA4764-HF)

Fig.1 - Max. Continuous Power Derating

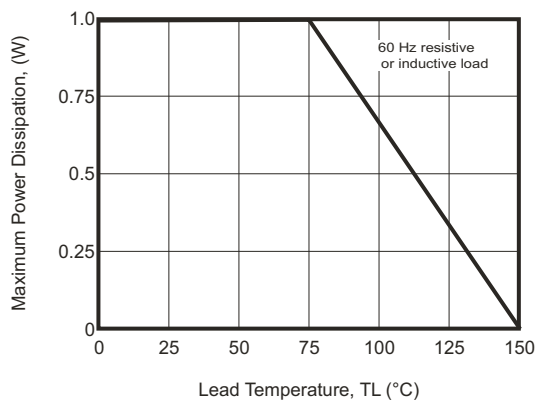
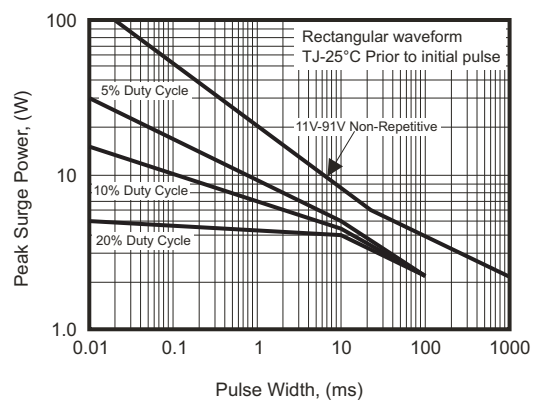


Fig.2 - Maximum surge power



RATING AND CHARACTERISTIC CURVES (CZRA4728-HF Thru. CZRA4764-HF)

FIG 3A. Range for Units to 12 Volts

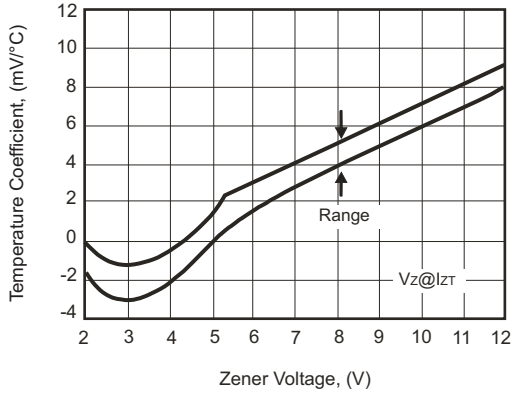


FIG 3B. Range for Units 12 to 100 Volts

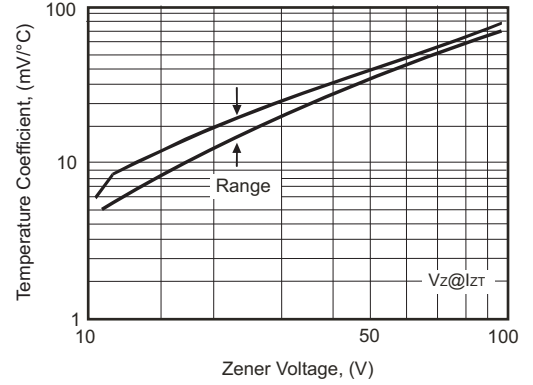


FIG 4. Temperature Coefficients (-55°C to +150°C temperature change ; 90% of the units are in the ranges indicated.)

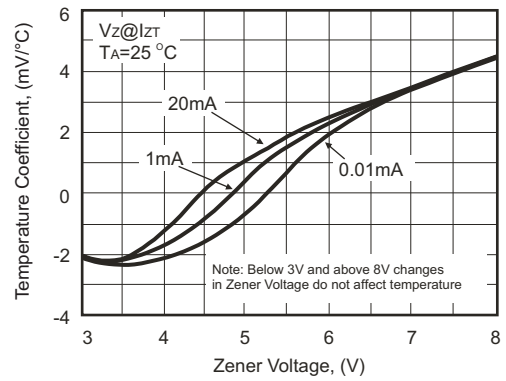
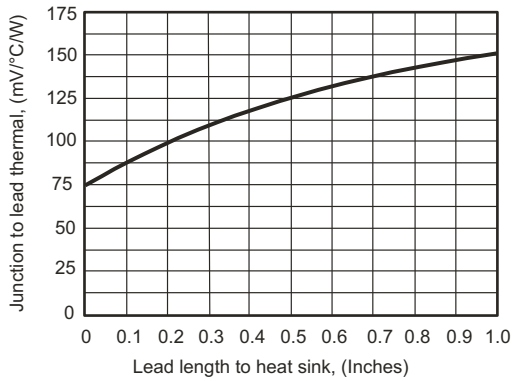


FIG 5. Typical Thermal Resistance Versus Lead

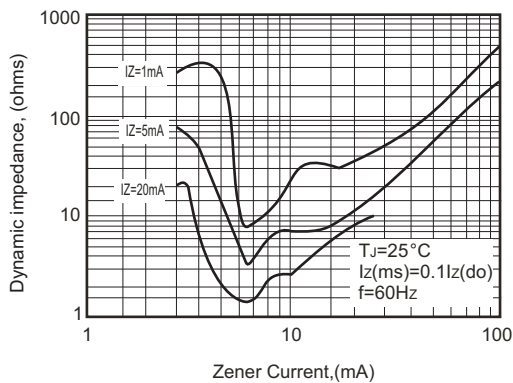
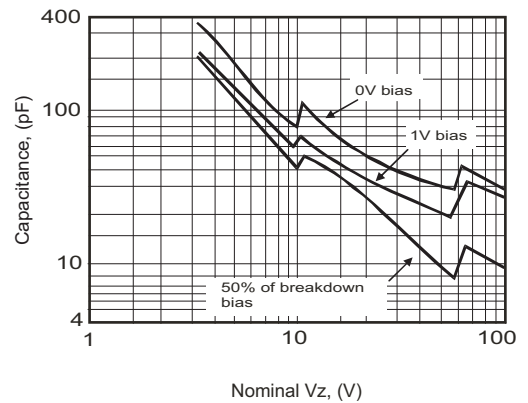
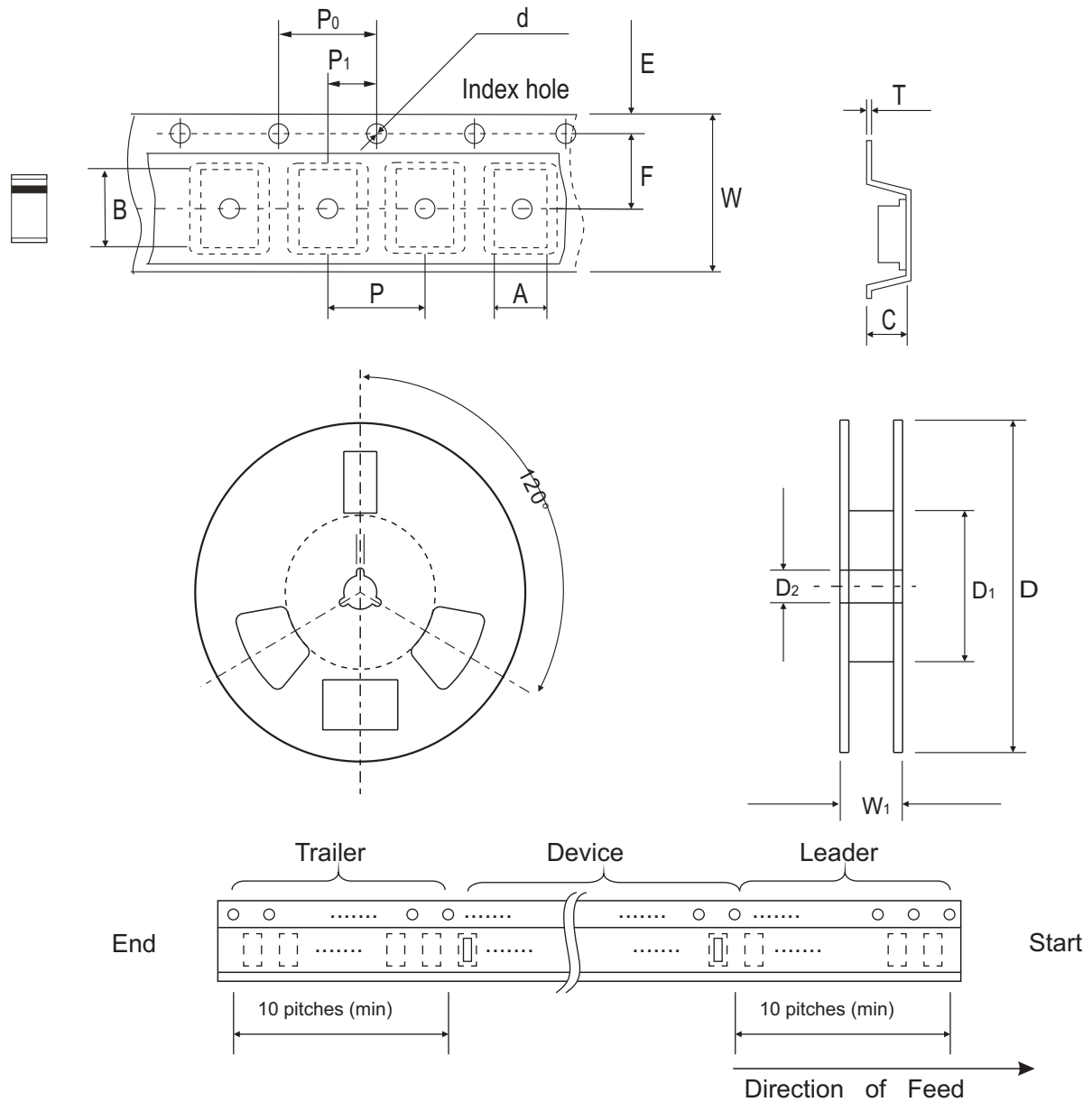


FIG 6. Effect of Zener Current



Reel Taping Specification



DO-214AC (SMA)	SYMBOL	A	B	C	d	D	D1	D2
	(mm)	2.8 ± 0.10	5.00 ± 0.10	1.90 ± 0.10	1.50 ± 0.10	178 ± 2.00	62.0 MIN.	13.0 ± 0.50
	(inch)	0.110 ± 0.004	0.197 ± 0.004	0.075 ± 0.004	0.059 ± 0.004	7.008 ± 0.078	2.441 MIN.	0.512 ± 0.008

DO-214AC (SMA)	SYMBOL	E	F	P	P0	P1	W	W1
	(mm)	1.75 ± 0.10	5.50 ± 0.10	4.00 ± 0.10	4.00 ± 0.10	2.00 ± 0.10	12.00 ± 0.30	18.00 ± 1.00
	(inch)	0.069 ± 0.004	0.217 ± 0.002	0.157 ± 0.004	0.157 ± 0.004	0.079 ± 0.004	0.472 ± 0.012	0.709 ± 0.040

Company reserves the right to improve product design , functions and reliability without notice.

REV:C

Pinning information

Pin	Simplified outline	Symbol
PIN 1 Cathode PIN 2 Anode		

Marking Code

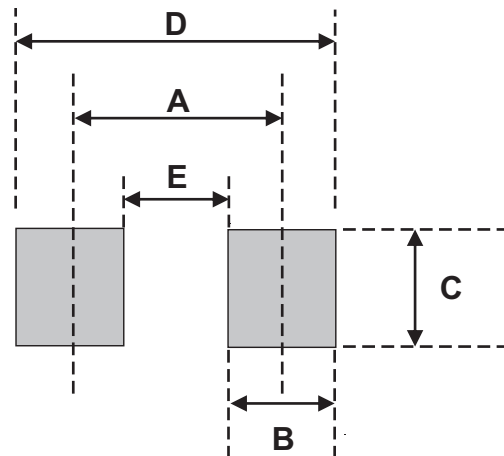
Part Number	Marking Code
CZRA4728-HF ~ CZRA4764-HF	XXXX



Product type marking code (see page.2~3)

Suggested PAD Layout

SIZE	DO-214AC (SMA)	
	(mm)	(inch)
A	3.80	0.150
B	1.60	0.063
C	2.80	0.110
D	5.40	0.213
E	2.20	0.087



Standard Packaging

Case Type	REEL PACK	
	REEL (pcs)	Reel Size (inch)
DO-214AC (SMA)	2,000	7

X-ON Electronics

Largest Supplier of Electrical and Electronic Components

Click to view similar products for [Zener Diodes](#) category:

Click to view products by [Comchip](#) manufacturer:

Other Similar products are found below :

[RKZ13B2KG#P1](#) [RKZ5.6B2KJ#R1](#) [DL5234B](#) [EDZTE6113B](#) [1N4682](#) [1N4691](#) [1N4693](#) [1N4732A](#) [1N4736A](#) [1N4750A](#) [1N4759ARL](#)
[1N5241B](#) [1N5365B](#) [1N5369B](#) [1N747A](#) [1N959B](#) [1N964B](#) [1N966B](#) [1N968B](#) [1N972B](#) [NTE5121A](#) [NTE5147A](#) [NTE5152A](#) [NTE5155A](#)
[NTE5164A](#) [JANS1N4974US](#) [1N4692](#) [1N4700](#) [1N4702](#) [1N4704](#) [1N4711](#) [1N4714](#) [1N4737A](#) [1N4745ARL](#) [1N4752A](#) [1N4752ARL](#)
[1N4760ARL](#) [1N5221B](#) [1N5231B-TR](#) [1N5236B](#) [1N5241BTR](#) [1N5242BTR](#) [1N5350B](#) [1N5352B](#) [1N961BRR1](#) [1N964BRL](#) [RKZ5.1BKU#P6](#)
[3SMAJ5946B-TP](#) [3SMAJ5950B-TP](#) [3SMBJ5925B-TP](#)