

KBP2005G-G Thru. KBP210G-G

Reverse Voltage: 50 to 1000V

Forward Current: 2.0 Amp

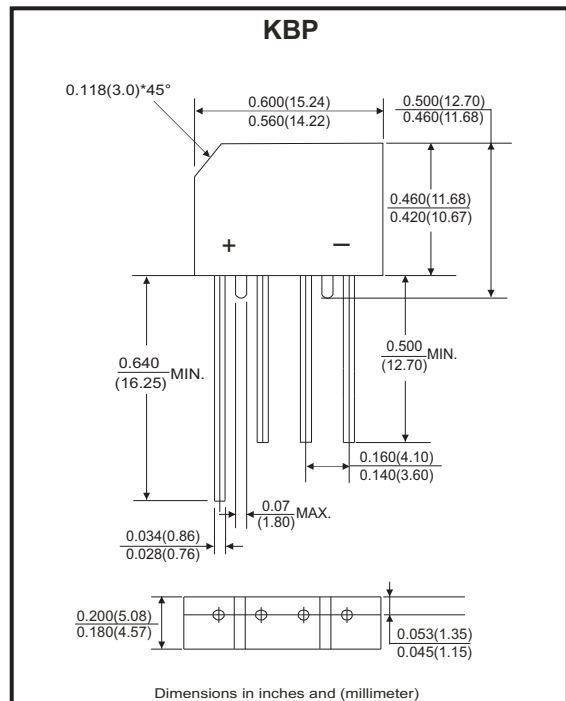
RoHS Device

Features

- Surge overload rating -60 amperes peak.
- Ideal for printed circuit board.
- UL recognized file # E349301

Mechanical Data

- Case: Molded plastic body over passivated junctions.
- Epoxy: UL 94V-0 rate flame retardant.
- Polarity: Polarity symbols marked on case.
- Mounting position: Any



Maximum ratings and electrical characteristics

Rating at 25°C ambient temperature unless otherwise specified.
 Single phase, half wave, 60Hz, resistive or inductive load.
 For capacitive load, derate current by 20%

| Parameter | Symbol | KBP 2005G-G | KBP 201G-G | KBP 202G-G | KBP 204G-G | KBP 206G-G | KBP 208G-G | KBP 210G-G | Unit |
|--|------------|-------------|------------|------------|------------|------------|------------|------------|------------|
| Maximum Recurrent Peak Reverse Voltage | V_{RRM} | 50 | 100 | 200 | 400 | 600 | 800 | 1000 | V |
| Maximum RMS Bridge Input Voltage | V_{RMS} | 35 | 70 | 140 | 280 | 420 | 560 | 700 | V |
| Maximum DC Blocking Voltage | V_{DC} | 50 | 100 | 200 | 400 | 600 | 800 | 1000 | V |
| Maximum Average Forward Rectified Output Current @ $T_A=50^\circ C$ | $I_{(AV)}$ | 2.0 | | | | | | | A |
| Peak Forward Surge Current, 8.3ms Single Half Sine-Wave Super Imposed On Rated Load | I_{FSM} | 60 | | | | | | | A |
| Maximum Forward Voltage Drop Per Bridge Element at 2.0A Peak | V_F | 1.1 | | | | | | | V |
| Maximum Reverse Current at Rated DC Blocking Voltage Per Element | I_R | 10.0 | | | | | | | μA |
| Maximum Reverse Current at Rated DC Blocking Voltage Per Element @ $T_J=100^\circ C$ | I_R | 1.0 | | | | | | | mA |
| Operating Temperature Range | T_J | -55 to +150 | | | | | | | $^\circ C$ |
| Storage Temperature Range | T_{STG} | -55 to +150 | | | | | | | $^\circ C$ |

Company reserves the right to improve product design, functions and reliability without notice.

REV: C

Rating and Characteristics Curves (KBP2005G-G Thru. KBP210G-G)

Fig.1 - Derating Curve Output Rectified Current

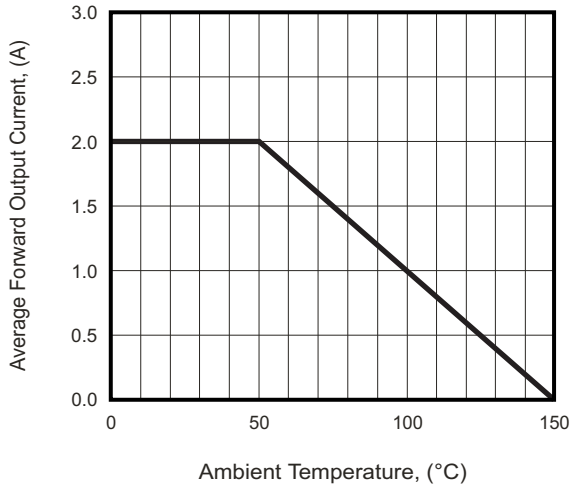


Fig.2 - Max. Forward Surge Current

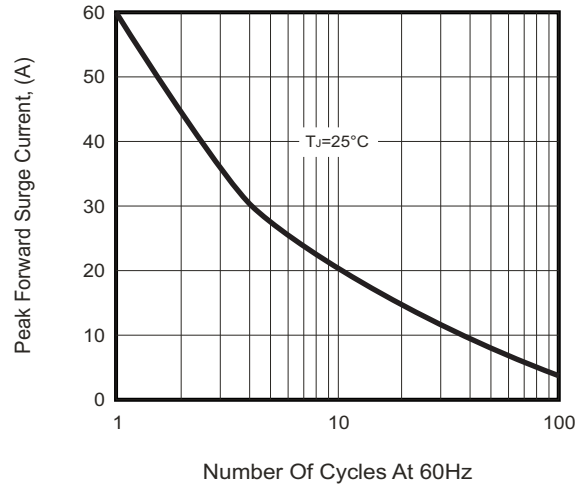


Fig.3 - Typical Forward Characteristics

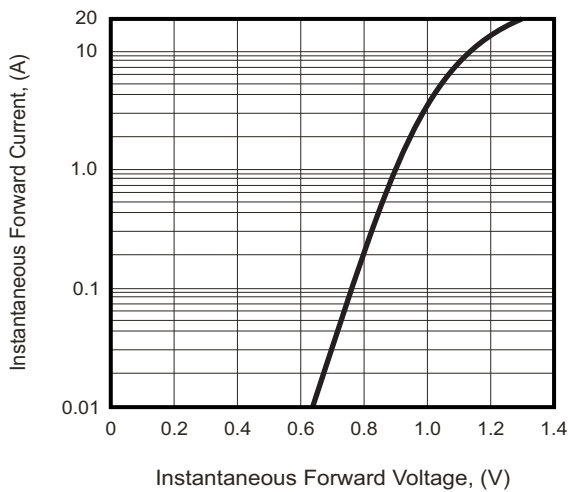
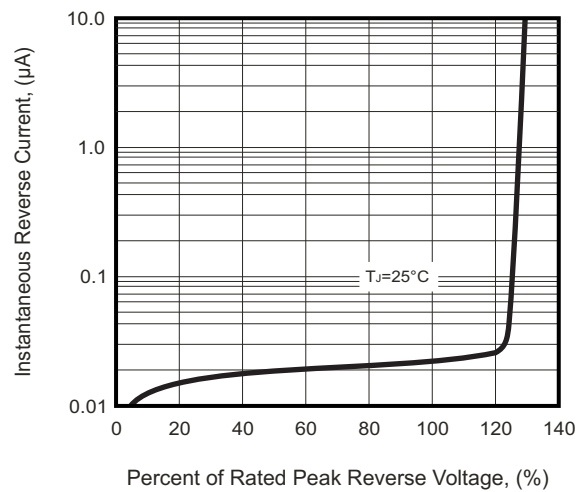
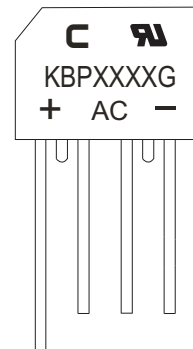


Fig.4 - Typical Reverse Characteristics



Marking Code

| Part Number | Marking code |
|-------------|--------------|
| KBP2005G-G | KBP2005G |
| KBP201G-G | KBP201G |
| KBP202G-G | KBP202G |
| KBP204G-G | KBP204G |
| KBP206G-G | KBP206G |
| KBP208G-G | KBP208G |
| KBP210G-G | KBP210G |



XXX / XXXX = Product type marking code

C = Comchip Logo

Standard Packaging

| Case Type | BULK PACK | |
|-----------|----------------|-------------------|
| | BOX (pcs) | CARTON (pcs) |
| KBP | 500 | 5,000 |

| Case Type | TUBE PACK | |
|-----------|-----------------|----------------|
| | TUBE (pcs) | BOX (pcs) |
| KBP | 30 | 1,200 |

X-ON Electronics

Largest Supplier of Electrical and Electronic Components

Click to view similar products for [Bridge Rectifiers](#) category:

Click to view products by [Comchip](#) manufacturer:

Other Similar products are found below :

[MB252](#) [MB356G](#) [MB358G](#) [MP358-BP](#) [GBJ1504-BP](#) [GBU10B-BP](#) [GBU15J-BP](#) [GBU15K-BP](#) [GBU4A-BP](#) [GBU4D-BP](#) [GBU6B-E3/45](#)
[GSIB680-E3/45](#) [DB101-BP](#) [DF01](#) [DF10SA-E345](#) [BU1508-E3/45](#) [KBPC50-10S](#) [RS405GL-BP](#) [G5SBA60-E3/51](#) [GBJ1502-BP](#) [GBU10J-BP](#)
[GBU4J-BP](#) [GBU6M](#) [GBU8D-BP](#) [GBU8J-BP](#) [GSIB1520-E3/45](#) [TB102M](#) [MB1510](#) [MB6M-G](#) [MB86](#) [TL401G](#) [MDA920A2](#) [TU602](#) [TU810](#)
[MP501W-BP](#) [MP502-BP](#) [BR1005-BP](#) [BR101-BP](#) [BR84DTP204](#) [BU1010A-E3/51](#) [BU2006-E3/45](#) [BU2008-E3/51](#) [KBPC25-02](#) [VS-](#)
[60MT120KPBF](#) [DB105-BP](#) [DF1510S](#) [VS-40MT160PAPBF](#) [GBU4G-BP](#) [GBJ2506-BP](#) [GBU6B-E3/51](#)