

UF4001-G Thru. UF4008-G

Voltage: 50 to 1000 V

Current: 1.0 A

RoHS Device

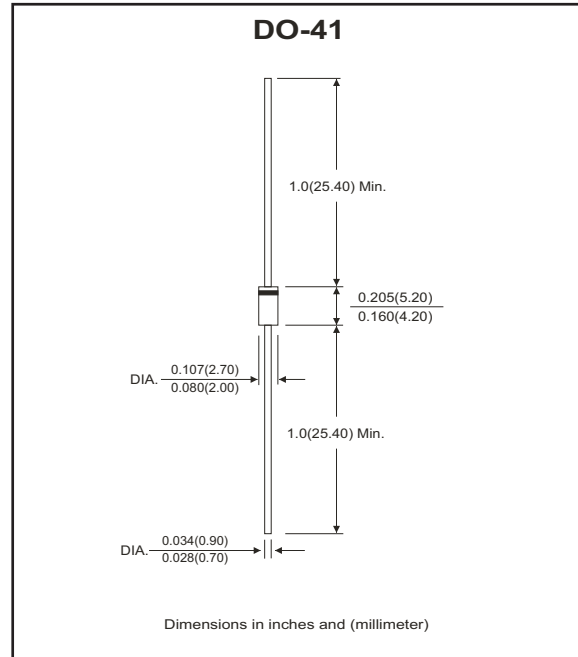


Features

- Diffused junction.
- Ultra fast switching for high efficiency.
- Low reverse leakage current.
- Low forward voltage drop.
- High current capability.

Mechanical data

- Case: JEDEC DO-41 molded plastic.
- Polarity: Color band denotes cathode.
- Mounting position: Any
- Weight: 0.34 grams



Maximum Ratings and Electrical Characteristics

Ratings at 25°C ambient temperature unless otherwise specified.
 Single phase, half wave, 60Hz, resistive or inductive load.
 For capacitive load, derate current by 20%.

| Parameter | Symbol | UF4-G | | | | | | | | Unit | |
|---|-----------------|-------------|------|------|------|------|------|------|------|--------------|----|
| | | 4001 | 4002 | 4003 | 4004 | 4005 | 4006 | 4007 | 4008 | | |
| Maximum recurrent peak reverse voltage | V_{RRM} | 50 | 100 | 200 | 300 | 400 | 600 | 800 | 1000 | V | |
| Maximum RMS voltage | V_{RMS} | 35 | 70 | 140 | 210 | 280 | 420 | 560 | 700 | V | |
| Maximum DC blocking voltage | V_{DC} | 50 | 100 | 200 | 300 | 400 | 600 | 800 | 1000 | V | |
| Maximum average forward rectified current @ $T_A=55^\circ C$ | $I_{(AV)}$ | 1.0 | | | | | | | | A | |
| Peak forward surge current, 8.3ms single half sine-wave superimposed on rated load (JEDEC method) | I_{FSM} | 30 | | | | | | | | A | |
| Peak forward voltage at 1.0A DC | V_F | 1.0 | | 1.3 | | 1.7 | | | | V | |
| Maximum DC reverse current at rated DC blocking voltage $T_A=25^\circ C$ $T_A=100^\circ C$ | I_R | 5.0 100 | | | | | | | | μA | |
| Maximum reverse recovery time (Note 1) | t_{rr} | 50 | | | | | 75 | | | | nS |
| Typical junction capacitance (Note 2) | C_J | 20 | | | | | 10 | | | | pF |
| Typical thermal resistance (Note 3) | $R_{\theta JA}$ | 25 | | | | | | | | $^\circ C/W$ | |
| Operating temperature range | T_J | -55 to +150 | | | | | | | | $^\circ C$ | |
| Storage temperature range | T_{STG} | -55 to +150 | | | | | | | | $^\circ C$ | |

- NOTES: 1. Measured with $I_F=0.5A$, $I_R=1.0A$, $I_{RR}=0.25A$.
 2. Measured at 1.0MHz and applied reverse voltage of 4.0V DC.
 3. Thermal resistance junction to ambient.
 4. The typical data above is for reference only.

Company reserves the right to improve product design , functions and reliability without notice.

REV:C

Rating and Characteristic Curves (UF4001-G Thru. UF4008-G)

Fig.1 - Typical Forward Current Derating Curve

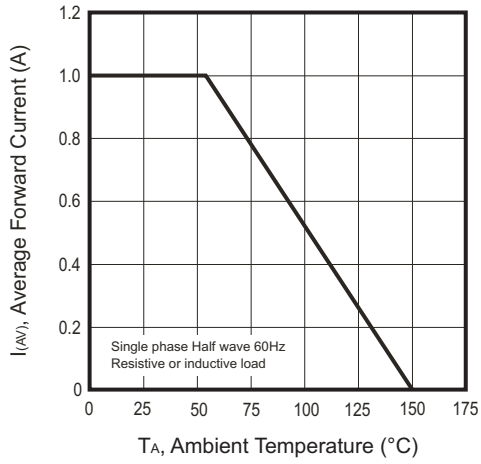


Fig.2 - Max. Non-Repetitive Surge Current

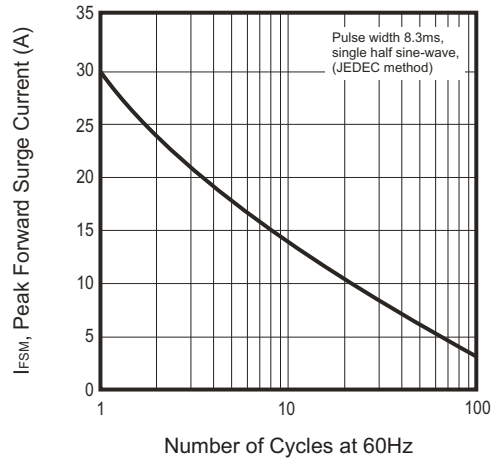


Fig.3 - Typical Forward Characteristics

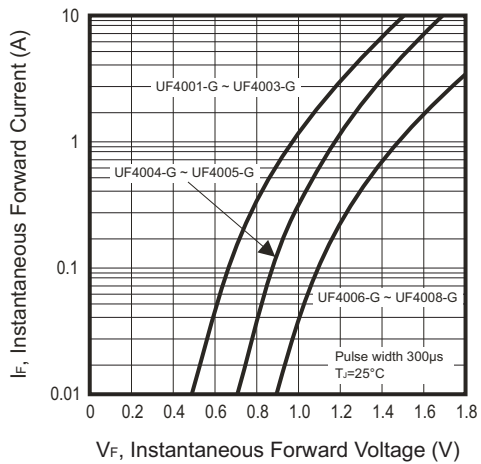
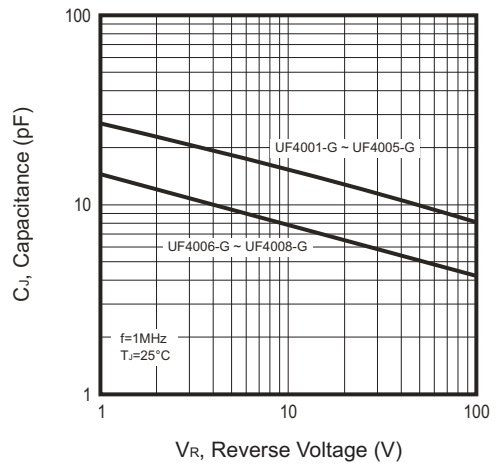


Fig.4 - Typical Junction Capacitance



Marking Code

| Part Number | Marking code |
|-------------|--------------|
| UF4001-G | UF4001 |
| UF4002-G | UF4002 |
| UF4003-G | UF4003 |
| UF4004-G | UF4004 |
| UF4005-G | UF4005 |
| UF4006-G | UF4006 |
| UF4007-G | UF4007 |
| UF4008-G | UF4008 |

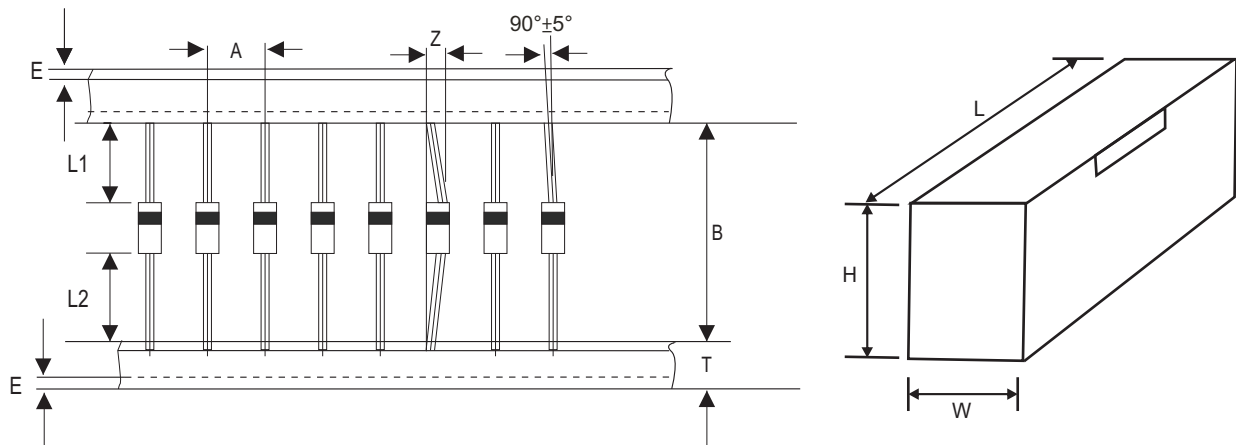


XXX = Product type marking code

Standard Packaging

| Case Type | AMMO PACK | |
|-----------|----------------|-------------------|
| | BOX (pcs) | CARTON (pcs) |
| DO-41 | 5,000 | 45,000 |

Taping Specification For Axial Lead Diodes



| DO-41 | SYMBOL | A | B | Z | T | E | L1 | L2 |
|-------|--------|---------------|---------------|-------------|---------------|-------------|-------------|-------------|
| | (mm) | 5.00 ± 0.50 | 52.40 ± 1.50 | 1.20 (max) | 6.00 ± 0.40 | 0.80 (max) | 1.00 (max) | 1.00 (max) |
| | (inch) | 0.197 ± 0.020 | 2.063 ± 0.590 | 0.047 (max) | 0.236 ± 0.016 | 0.031 (max) | 0.039 (max) | 0.039 (max) |

| DO-41 | SYMBOL | L | W | H | | | | |
|-------|--------|--------------|-------------|-------------|--|--|--|--|
| | (mm) | 255.0 ± 5.0 | 78.0 ± 5.0 | 95.0 ± 5.0 | | | | |
| | (inch) | 10.04 ± 0.20 | 3.07 ± 0.20 | 3.74 ± 0.20 | | | | |

Company reserves the right to improve product design , functions and reliability without notice.

REV:C

X-ON Electronics

Largest Supplier of Electrical and Electronic Components

Click to view similar products for [Rectifiers](#) category:

Click to view products by [Comchip](#) manufacturer:

Other Similar products are found below :

[70HFR40](#) [RL252-TP](#) [150KR30A](#) [1N5397](#) [NTE5841](#) [NTE6038](#) [SCF5000](#) [1N4002G](#) [1N4005-TR](#) [JANS1N6640US](#) [VS-80-7161](#) [481235F](#)
[RRE02VS6SGTR](#) [067907F](#) [MS306](#) [70HF40](#) [T85HFL60S02](#) [US2JFL-TP](#) [A1N5404G-G](#) [CRS04\(T5L,TEMQ\)](#) [ACGRA4007-HF](#)
[ACGRB207-HF](#) [CLH03\(TE16L,Q\)](#) [ACGRC307-HF](#) [ACEFC304-HF](#) [NTE6356](#) [NTE6359](#) [NTE6002](#) [NTE6023](#) [NTE6039](#) [NTE6077](#)
[85HFR60](#) [40HFR60](#) [1N1186RA](#) [70HF120](#) [85HFR80](#) [D126A45C](#) [SCF7500](#) [D251N08B](#) [SCHJ22.5K](#) [SM100](#) [SCPA2](#) [SCH10000](#) [SDHD5K](#)
[VS-12FL100S10](#) [ACGRA4001-HF](#) [D1821SH45T PR](#) [D1251S45T](#) [NTE5990](#) [NTE6358](#)