

## WOG-G/WOMG-G Series

Reverse Voltage: 50 to 1000V

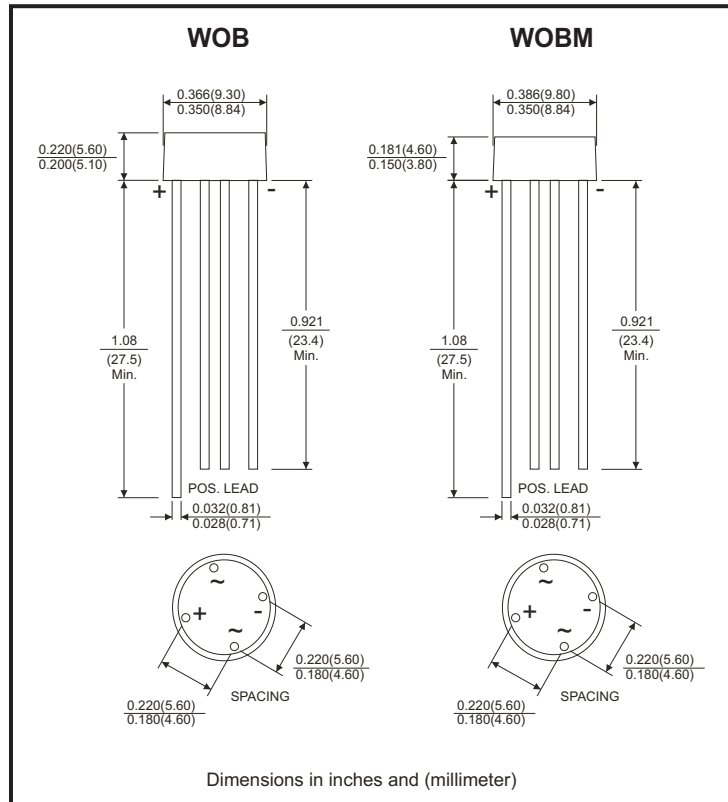
Forward Current: 1.5A

RoHS Device



### Features

- Surge overload rating -50A peak.
- Ideal for printed circuit board.
- Mounting position: Any.



### Maximum ratings and electrical characteristics

Rating at 25°C ambient temperature unless otherwise specified.  
 Single phase, half wave, 60Hz, resistive or inductive load.  
 For capacitive load, derate current by 20%

Parameter	Symbol	W005G-G	W01G-G	W02G-G	W04G-G	W06G-G	W08G-G	W10G-G	Unit
		W005MG-G	W01MG-G	W02MG-G	W04MG-G	W06MG-G	W08MG-G	W10MG-G	
Maximum recurrent peak reverse voltage	$V_{RRM}$	50	100	200	400	600	800	1000	V
Maximum RMS voltage	$V_{RMS}$	35	70	140	280	420	560	700	V
Maximum DC blocking voltage	$V_{DC}$	50	100	200	400	600	800	1000	V
Maximum average forward rectified current @ $T_A=25^\circ C$	$I_{(AV)}$	1.5							A
Peak forward surge current, 8.3ms single half sine-wave super Imposed on rated load	$I_{FSM}$	40							A
$I^2t$ rating for fusing ( $t < 8.3ms$ )	$I^2t$	6.64							A <sup>2</sup> t
Maximum forward voltage drop per element at 1.5A peak	$V_F$	1.1							V
Maximum reverse current at rated $T_J=25^\circ C$ DC blocking voltage per element $T_J=100^\circ C$	$I_R$	10 1							$\mu A$ mA
Operating temperature range	$T_J$	-55 ~ +150							$^\circ C$
Storage temperature range	$T_{STG}$	-55 ~ +150							$^\circ C$

Company reserves the right to improve product design, functions and reliability without notice.

REV: C

## Rating and Characteristics Curves (WOG-G/WOMG-G Series)

Fig.1 - Maximum Non-Repetitive Surge Current

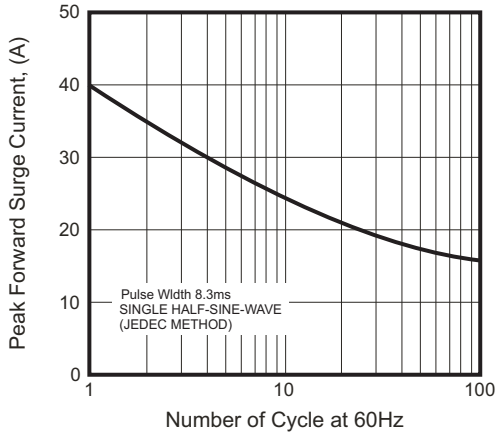


Fig.2 - Derating Curve Output Rectified Current

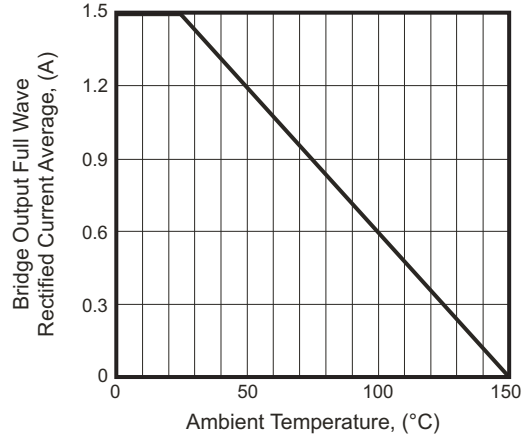


Fig.3 - Typical Forward Characteristics

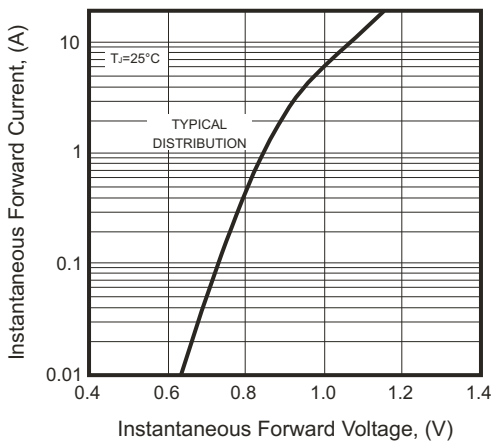
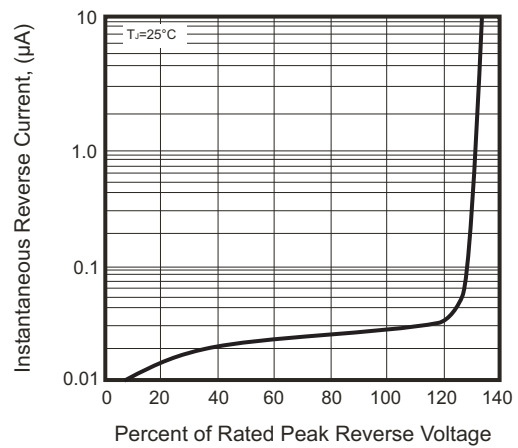


Fig.4 - Typical Reverse Characteristics



## Marking Code

Part Number	Marking code
W005G-G	W005G
W01G-G	W01G
W02G-G	W02G
W04G-G	W04G
W06G-G	W06G
W08G-G	W08G
W10G-G	W10G
W005MG-G	W005MG
W01MG-G	W01MG
W02MG-G	W02MG
W04MG-G	W04MG
W06MG-G	W06MG
W08MG-G	W08MG
W10MG-G	W10MG

## Standard Packaging

Case Type	BULK PACK	
	BOX ( pcs )	CARTON ( pcs )
WOB WOBM	1,000	10,000

## X-ON Electronics

Largest Supplier of Electrical and Electronic Components

*Click to view similar products for [Bridge Rectifiers](#) category:*

*Click to view products by [Comchip](#) manufacturer:*

Other Similar products are found below :

[MB2510](#) [MB252](#) [MB356G](#) [MB358G](#) [90MT160KPBF](#) [GBJ1504-BP](#) [GBU15J-BP](#) [GBU15K-BP](#) [GBU4A-BP](#) [GBU4D-BP](#) [GBU6B-E3/45](#)  
[GSIB680-E3/45](#) [DB101-BP](#) [DF01](#) [DF10SA-E345](#) [KBPC50-10S](#) [RS405GL-BP](#) [G5SBA60-E3/51](#) [GBU10J-BP](#) [GBU6M](#) [GBU8D-BP](#)  
[GBU8J-BP](#) [GSIB1520-E3/45](#) [2KBB10](#) [36MB140A](#) [TB102M](#) [MB1510](#) [MB258](#) [MB6M-G](#) [MB86](#) [TL401G](#) [MDA920A2](#) [TU602](#) [TU810](#)  
[BR1005-BP](#) [BR101-BP](#) [BR84DTP204](#) [BU2008-E3/51](#) [36MB100A](#) [KBPC10/15/2501WP](#) [KBPC25-02](#) [VS-2KBB60](#) [DF06SA-E345](#)  
[DF1510S](#) [VS-40MT160PAPBF](#) [W02M](#) [GBL02-E3/45](#) [GBU4G-BP](#) [GBJ2506-BP](#) [GBU6B-E3/51](#)