



COMELUX
componenti elettrici
dal 1968



www.comelux.it



Signal lamp

In 50 years we have established ourselves both nationally and internationally as one of the leading companies in the design and production of electrical components. We work and collaborate with the major national and international manufacturers of household appliances, industrial machines and vending machines. Precision, flexibility and customization in the production process are our strengths that reflect the commitment and passion we demonstrate every day. All our products are certified by the most important European and American bodies thanks also to the choice of high quality and self-extinguishing materials.



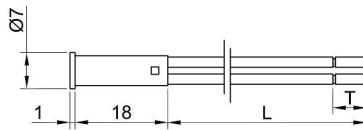
+39 0435 67141

businessdevelopment@comelux.it

Via Monte Croce 47
32040 Comelico Superiore (BL)
Italy



9SL/TB/06/SQ



Technical data

Lamps incandescent • neon/fluoro • L LED

Working voltage 2V • 6V • 12V • 24V • 48V • 110V • 250V • 450V

Working temperature 90°C Max • 120°C Max • 150°C Max

Hole diameter 6mm

Recommended thickness panel from 0,5mm to 2mm

Method of connection to the panel Self-locking

Type of connection PVC Cable • silicone cable • silicone-glass cable

Wire ends on request

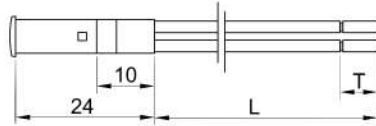
Type of lenses SQ3 • SQ4 • SQ5 • SQ6 • SQ7

Colour G yellow R red V green VL green fluorescent B white BL blue

SQ3	SQ4	SQ5	SQ6	SQ7



9SL/TB/06/SQ-L



Technical data

Lamps incandescent • neon/fluoro • L LED

Working voltage 2V • 6V • 12V • 24V • 48V • 110V • 250V • 400V

Working temperature 90°C Max • 120°C Max • 150°C Max

Hole diameter 6mm

Recommended thickness panel from 0,5mm to 2mm

Method of connection to the panel Self-locking

Type of connection PVC cable • silicone cable • silicone-glass cable

Wire ends on request

Type of lenses SQ10 • SQ11 • SQ12 • SQ13 • SQ14 • SQ15 • SQ16 • SQ17 • SQ18 • SQ19 • SQ20

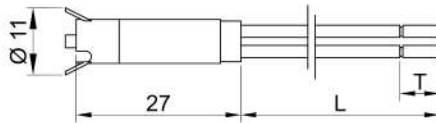
Colour G yellow R red V green VL green fluorescent B white BL blue

SQ10	SQ11	SQ12	SQ13	SQ14	SQ15
SQ16	SQ17	SQ18	SQ19	SQ20	

* Anello autobloccante - Self locking ring



9SL/TB/06RC/SU



Technical data

Lamps Incandescent • neon/fluoro • L LED

Working Voltage 2V • 6V • 12V • 24V • 48V • 110V • 250V • 400V

Working temperature 90°C Max • 120°C Max • 150°C Max

Hole diameter 6mm

Recommended thickness panel from 0,5mm to 2mm

Method of connection to the panel self-blocking

Type of connection PVC cable • silicone cable • silicone-glass cable

Wire ends on request

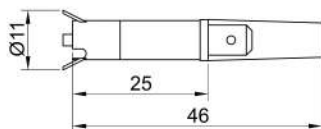
Type of lenses SU1 • SU2 • SU3 • SU4 • SU5 • SU6

Colour G yellow R red V green VL green fluorescent B white BL blue

SU1	SU2	SU3	SU4	SU5	SU6



9SL/TBF/06RC/SU



Technical data

Lamps Incandescent • neon/fluoro • L LED

Working Voltage 2V • 6V • 12V • 24V • 48V • 110V • 250V • 400V

Working temperature 120°C Max • 150°C Max

Hole diameter 6mm

Recommended thickness panel from 0,5mm to 2mm

Method of connection to the panel self-locking

Type of connection male faston 6,3x0,8mm • male faston 4,8x0,8mm

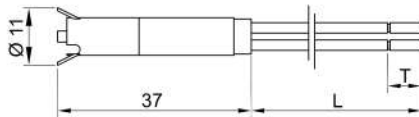
Type of lens SU1 • SU2 • SU3 • SU4 • SU5 • SU6

Colour G yellow R red V green VL green fluorescent B white BL blue

SU1	SU2	SU3	SU4	SU5	SU6



9SL/TB/06R/SU



Technical data

Lamps incandescent • neon/fluoro • L LED

Working Voltage 2V • 6V • 12V • 24V • 48V • 110V • 250V • 400V

Working temperature 90°C Max • 120°C Max • 150°C Max

Hole diameter 6mm

Recommended thickness panel from 0,5mm to 2mm

Method of connection to the panel self-locking

Type of connection Pvc cable • silicone cable • silicone-glass cable

Wire ends on request

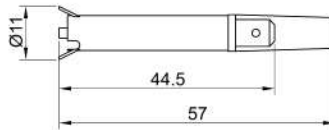
Type of lenses SU1 • SU2 • SU3 • SU4 • SU5 • SU6

Colour G yellow R red V green VL green fluorescent B white

SU1	SU2	SU3	SU4	SU5	SU6



9SL/TBF/06R/SU



Technical data

Lamps incandescent • neon/fluoro • L LED

Working Voltage - VAC 2V • 6V • 12V • 24V • 48V • 110V • 250V • 400V

Working temperature 120°C Max • 150°C Max

Hole diameter 6mm

Recommended thickness panel from 0,5mm to 2mm

Type of connection to the panel self-locking

Type of connection Male faston 6,3x0,8mm • male faston 4,8x0,8mm

Type of lenses SU1 • SU2 • SU3 • SU4 • SU5 • SU6

Colour G yellow R red V green VL green fluorescent B white BL blue

SU1	SU2	SU3	SU4	SU5	SU6



9SL/TB/06RN/SU



Technical data

Lamps incandescent • neon/fluoro • L LED

Working Voltage 2V • 6V • 12V • 24V • 48V • 110V • 250V • 400V

Working temperature 90°C Max • 120°C Max • 150°C Max

Hole diameter 6mm

Recommended thickness panel from 0,5mm to 2mm

Method of connection to the panel Self-blocking

Type of connection PVC cable • silicone cable • silicone-glass cable

Wire ends on request

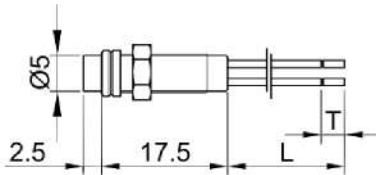
Type of lenses SU1 • SU2 • SU3 • SU4 • SU5 • SU6

Colour G yellow R red V green VL green fluorescent B white BL blue

SU1	SU2	SU3	SU4	SU5	SU6



9SL/CM/06



Technical data

Lamps incandescent • neon/fluoro • L LED

Working Voltage 2V • 6V • 12V • 24V • 48V • 110V • 250V • 400V

Working temperature 90°C Max • 120°C Max • 150°C Max

Hole diameter 6mm

Recommended thickness panel from 0,5mm to 5mm

Method of connection to the panel with nut

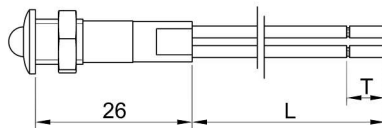
Type of connection PVC cable • silicone cable • silicone-glass cable

Wire ends on request

Colour G yellow R red V green VL green fluorescent B white BL blue



9SL/TB/08/SB



Technical data

Lamps incandescent • neon/fluoro • L LED

Working voltage 2V • 6V • 12V • 24V • 48V • 110V • 250V • 400V

Working temperature 120°C Max • 150°C Max

Hole diameter 8mm

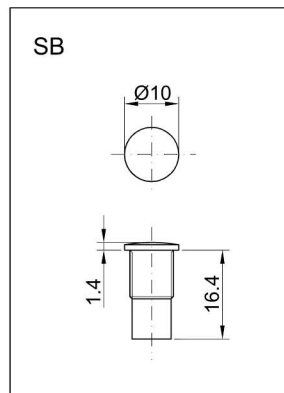
Recommended thickness panel from 0,5mm to 2mm

Method of connection to the panel with nut

Type of connection PVC cable • silicone cable • silicone-glass cable

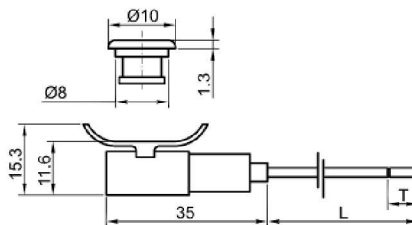
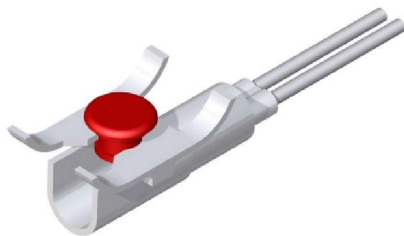
Type of lens SB

Colour G yellow R red V green VL green fluorescent B white BL blue





9SL/TB/RL



Technical data

Lamps incandescent • neon/fluoro • LED

Working voltage 2V • 6V • 12V • 24V • 48V • 110V • 250V • 400V

Working temperature 90°C Max • 120°C Max • 150°C Max

Hole diameter 8mm

Recommended thickness panel from 0,5mm to 2mm

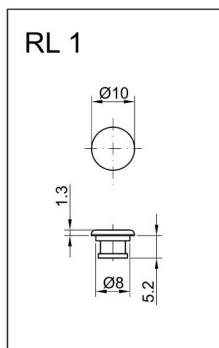
Method of connection to the panel self-locking

Type of connection PVC cable • silicone cable • silicone-glass cable

Wire ends on request

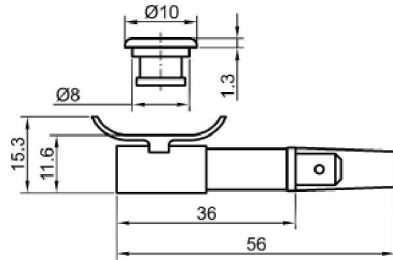
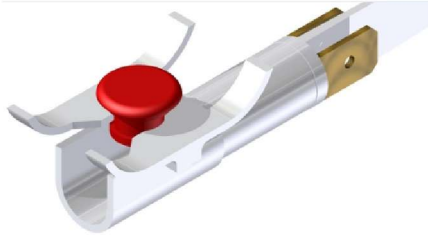
Type of lens RL 1

Colour G yellow R red V green VL green fluorescent B white BL blue





9SL/TBF/RL



Technical data

Lamps incandescent • neon/fluoro • LED

Working voltage 2V • 6V • 12V • 24V • 48V • 110V • 250V • 400V

Working temperature 120°C Max • 150°C Max

Hole diameter 8mm

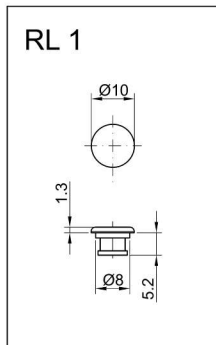
Recommended thickness panel from 0,5mm to 2mm

Method of connection to the panel self-locking

Type of connection male faston 6,3x0,8mm • male faston 4,8x0,8mm

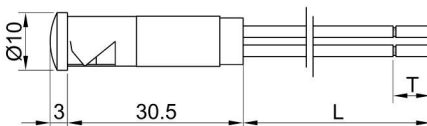
Type of lens RL 1

Colour G yellow R red V green VL green fluorescent B white BL blue





9SL/TB/09/SA



Technical data

Lamps incandescent • neon/fluoro • LED

Working Voltage 2V • 6V • 12V • 24V • 48V • 110V • 250V • 400V

Working temperature 90°C Max • 120°C Max • 150°C Max

Hole diameter 9mm

Recommended thickness panel from 0,8mm to 2mm

Method of connection to the panel self-locking

Type of connection PVC cable • silicone cable • silicone-glass cable

Wire ends on request

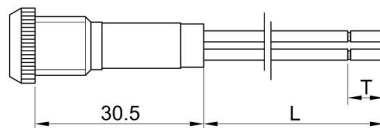
Type of lens DL2 • SA1 • SA2 • SA3 • SA4 • SA5 • SA6 • SA7 • SA8 • SA9

Colour G yellow R red V green VL green fluorescent B white BL blue

DL2 	SA1 	SA2 	SA3 	SA4
SA5 	SA6 	SA7 	SA8 	SA9



9SL/TB/010/SC



Technical data

Lamps incandescent • neon/fluoro • L LED

Working Voltage 2V • 6V • 12V • 24V • 48V • 110V • 250V • 400V

Working temperature 90°C Max • 120°C Max • 150°C Max

Hole diameter 10mm

Recommended thickness panel from 0,5mm to 5mm

Method of connection to the panel with nut

Type of connection PVC cable • silicone cable • silicone-glass cable

Wire ends on request

Type of lens SC1 • SC2 • SC3 • SC4 • SC5 • SC6 • SC7 • SC8 • SC9 • SC10 • SC11 • SC12 • SC13 • SC14 • SC15 • SC16

Colour G yellow R red V green VF green fluorescent B white BL blue

SC 1 	SC 2 	SC 3 	SC 4 	SC 5 	SC 6 	SC 7 	SC 8
SC 9 	SC 10 	SC 11 	SC 12 	SC 13 	SC 14 	SC 15 	SC 16



9SL/TBF/010/SC



Technical data

amps incandescent • neon/fluoro • L LED

Working Voltage 2V • 6V • 12V • 24V • 48V • 110V • 250V • 400V

Working temperature 120°C Max • 150°C Max

Hole diameter 10mm

Recommended thickness panel from 0,5mm to 5mm

Method of connection to the panel with nut

Type of connection male faston 6,3x0,8mm • male faston 4,8x0,8mm

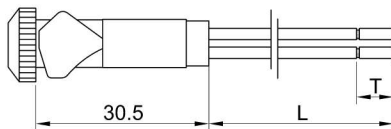
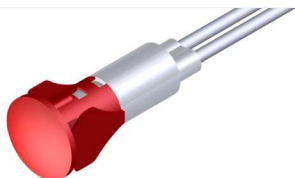
Type of connection SC1 • SC2 • SC3 • SC4 • SC5 • SC6 • SC7 • SC8 • SC9 • SC10 • SC11 • SC12 • SC13 • SC14 • SC15 • SC16

Colour G yellow R red V green VF green fluorescent B white BL blue

SC 1 	SC 2 	SC 3 	SC 4 	SC 5 	SC 6 	SC 7 	SC 8
SC 9 	SC 10 	SC 11 	SC 12 	SC 13 	SC 14 	SC 15 	SC 16



9SL/TB/010/SR



Technical data

Lamps incandescent • neon/fluoro • L LED

Working Voltage 2V • 6V • 12V • 24V • 48V • 110V • 250V • 400V

Working temperature 90°C Max • 120°C Max • 150°C Max

Hole diameter 10mm

Recommended thickness panel from 0,5mm to 2,5mm

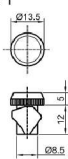
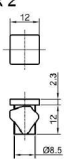
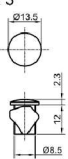
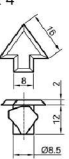
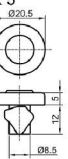
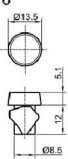
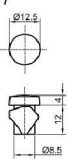
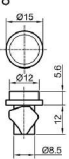
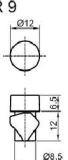
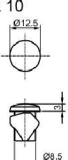
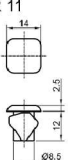
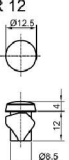
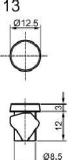
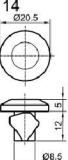
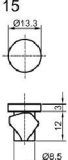
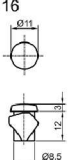
Method of connection to the panel self-locking

Type of connection PVC cable • silicone cable • silicone-glass cable

Wire ends on request

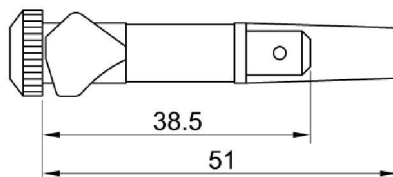
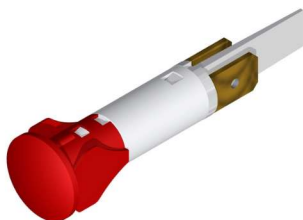
Type of lens SR1 • SR2 • SR3 • SR4 • SR5 • SR6 • SR7 • SR8 • SR9 • SR10 • SR11 • SR12 • SR13 • SR14 • SR15 • SR16

Colour G yellow R red V green VL green fluorescent B white BL blue

SR 1 	SR 2 	SR 3 	SR 4 	SR 5 	SR 6 	SR 7 	SR 8 
SR 9 	SR 10 	SR 11 	SR 12 	SR 13 	SR 14 	SR 15 	SR 16 



9SL/TBF/010/SR



Technical data

Lamps incandescent • neon/fluoro • L LED

Working Voltage 2V • 6V • 12V • 24V • 48V • 110V • 250V • 400V

Working temperature 120°C Max • 150°C Max

Hole diameter 10mm

Recommended thickness panel from 0,5mm to 2,5mm

Method of connection to the panel with nut

Type of connection male faston6,3x0,8mm • male faston4,8x0,8mm

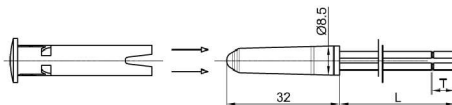
Type of lens SR1 • SR2 • SR3 • SR4 • SR5 • SR6 , SR7 • SR8 , SR9 • SR10 • SR11 • SR12 • SR13 • SR14 • SR15 • SR16

Colour G yellow R red V green VL green fluorescent B white BL blue

SR 1 	SR 2 	SR 3 	SR 4 	SR 5 	SR 6 	SR 7 	SR 8
SR 9 	SR 10 	SR 11 	SR 12 	SR 13 	SR 14 	SR 15 	SR 16



9SL/TB/SLTS/SRZ



Technical data

Lamps incandescent • neon/fluoro • L LED

Working Voltage 2V • 6V • 12V • 24V • 48V • 110V • 250V • 400V

Working temperature 90°C Max • 120°C Max • 150°C Max

Hole diameter 10mm

Recommended thickness panel from 0,6mm to 2mm

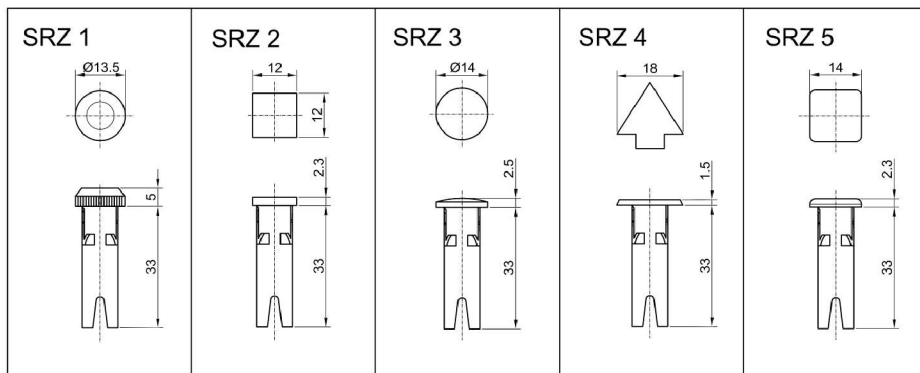
Recommended thickness panel self-locking

Type of connection PVC cable • silicone cable • silicone-glass cable

Wire ends on request

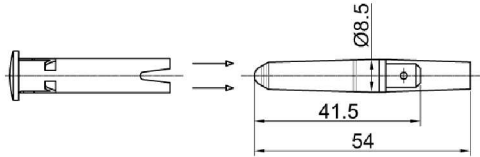
Type of lens SRZ1 • SRZ2 • SRZ3 • SRZ4 • SRZ5

Colour G yellow R red V green VL green fluorescent B white BL blue





9SL/TBF/SLTS/SRZ



Technical data

Lamps incandescent • neon/fluoro • L LED

Working Voltage 2V • 6V • 12V • 24V • 48V • 110V • 250V • 400V

Working temperature 120°C Max • 150°C Max

Hole diameter 10mm

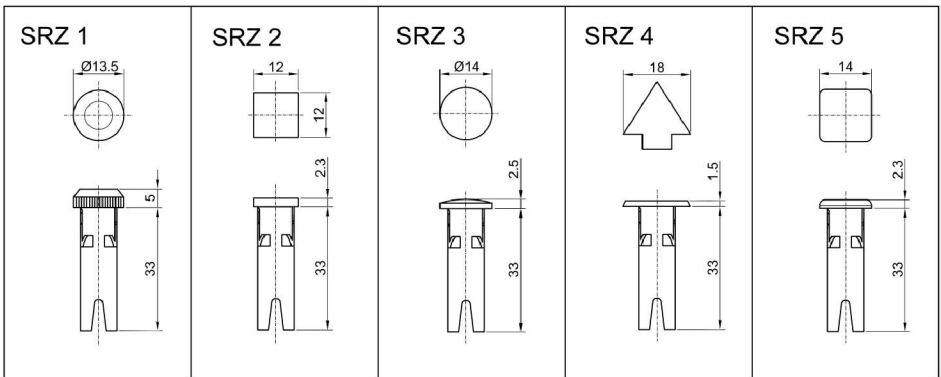
Recommended thickness panel from 0,6mm to 2mm

Method of connection to the panel self-locking

Type of connection male faston 6,3x0,8mm • male faston 4,8x0,8mm

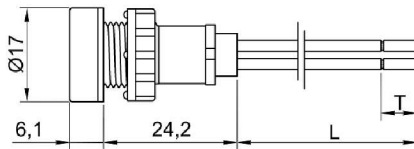
Type of lens SRZ1 • SRZ2 • SRZ3 • SRZ4 • SRZ5

Colour G yellow R red V green VL green fluorescent B white BL blue





9SL/TB/012/CSK



Technical data

Lamps L LED SDM

Working Voltage 12V • 250V

Working temperature 90°C Max • 120°C Max

Hole diameter 12mm

Recommended thickness panel from 0,5mm to 5mm

Method of connection to the panel with nut

Type of connection PVC cable • silicone cable • silicone-glass cable

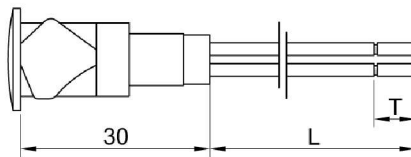
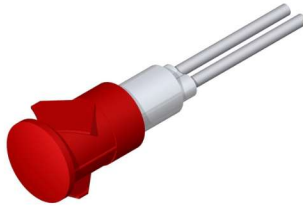
Wire ends on request

Type of lens CSK1

Colour G yellow R red V green VL green fluorescent B white BL blue



9SL/TB/012/SD



Technical data

Lamps incandescent • neon/fluoro • L LED

Working Voltage 2V • 6V • 12V • 24V • 48V • 110V • 250V • 400V

Working temperature 90°C Max • 120°C Max • 150°C Max

Hole diameter 12mm

Recommended thickness panel from 0,5mm to 2,5mm

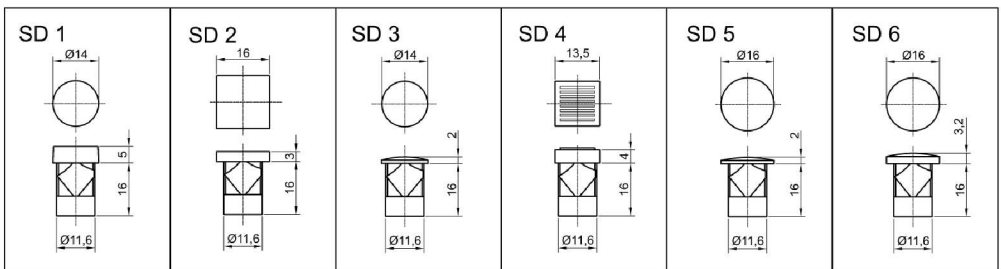
Method of connection to the panel self-locking

Type of connection PVC cable • silicone cable • silicone-glass cable

Wire ends on request

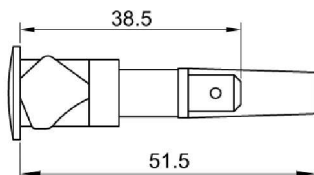
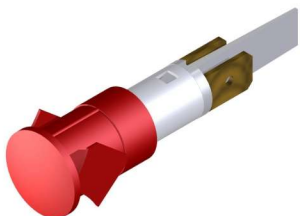
Type of lens SD1 • SD2 • SD3 • SD4 • SD5 • SD6

Colour G yellow R red V green VL green fluorescent B white BL blue





9SL/TBF/012/SD



Technical data

Lamps incandescent • neon/fluoro • L LED

Working Voltage 2V • 6V • 12V • 24V • 48V • 110V • 250V • 400V

Working temperature 120°C Max • 150°C Max

Hole diameter 12mm

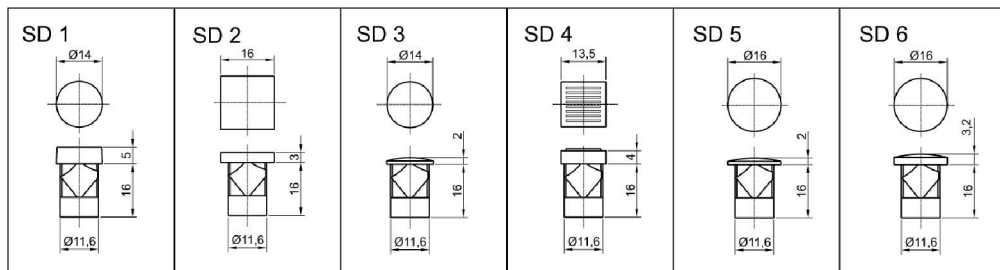
Recommended thickness panel from 0,5mm to 2,5mm

Method of connection to the panel self-locking

Type of connection male faston 6,3x0,8mm • male faston 4,8x0,8mm

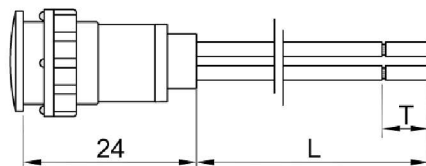
Type of lens SD1 • SD2 • SD3 • SD4 • SD5 • SD6

Colour G yellow R red V green VL green fluorescent B white BL blue





9SL/TB/012/SDK



Technical data

Lamps incandescent • neon/fluoro • L LED

Working Voltage 2V • 6V • 12V • 24V • 48V • 110V • 250V • 400V

Working temperature 90°C Max • 120°C Max • 150°C Max

Hole diameter 12mm

Recommended thickness panel from 0,5mm to 5mm

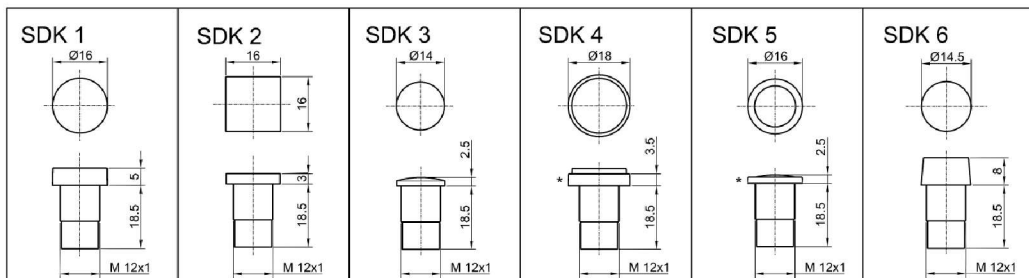
Method of connection to the panel with nut

Type of connection PVC cable • silicone cable • silicone-glass cable

Wire ends on request

Type of lens SDK1 • SDK2 • SDK3 • SDK4 • SDK5 • SDK6

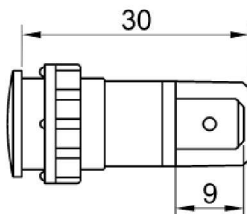
Colour G yellow R red V green VL green fluorescent B white BL blue



* Ghiera in metallo - Metal ring



9SL/TBF/012/SDK



Technical data

Lamps incandescent • neon/fluoro • L LED

Working Voltage 2V • 6V • 12V • 24V • 48V • 110V • 250V • 400V

Working temperature 120°C Max • 150°C Max

Hole diameter 12mm

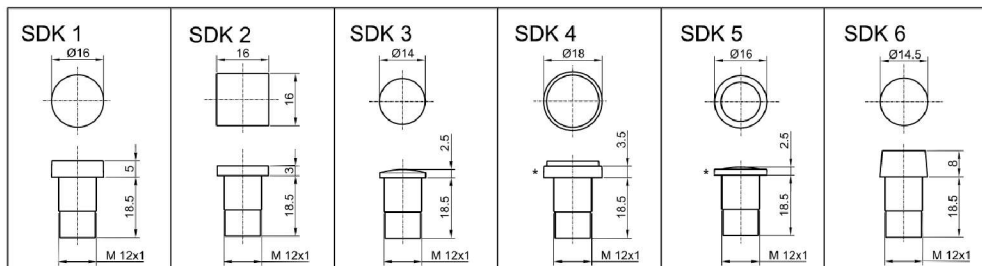
Recommended thickness panel from 0,5mm to 5mm

Method of connection to the panel with nut

Type of connection male faston 6,3x0,8mm • male faston 4,8x0,8mm

Type of lens SDK1 • SDK2 • SDK3 • SDK4 • SDK5 • SDK6

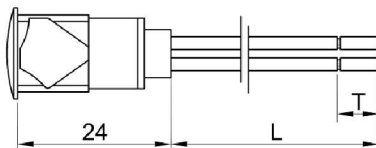
Colour G yellow R red V green VL green fluorescent B white BL blue



* Ghiera in metallo - Metal ring



9SL/TB/012/SDY



Technical data

Lamps incandescent • neon/fluoro • L LED

Working Voltage 2V • 6V • 12V • 24V • 48V • 110V • 250V • 400V

Working temperature 90°C Max • 120°C Max • 150°C Max

Hole diameter 12mm

Recommended thickness panel from 0,8mm to 2mm

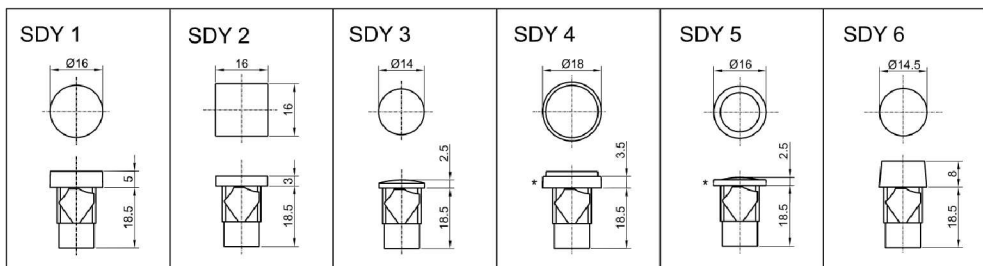
Method of connection to the panel self-locking

Type of connection PVC cable • silicone cable • silicone-glass cable

Wire ends on request

Type of lens SDY1 • SDY2 • SDY3 • SDY4 • SDY5 • SDY6

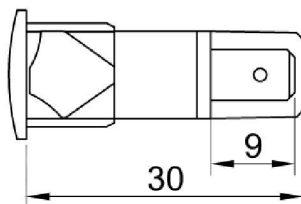
Colour G yellow R red V green VL green fluorescent B white



* Ghiera in metallo - Metal ring



9SL/TBF/012/SDY



Technical data

Lamps incandescent • neon/fluoro • L LED

Working Voltage 2V • 6V • 12V • 24V • 48V • 110V • 250V • 400V

Working temperature 120°C Max • 150°C Max

Hole diameter 12mm

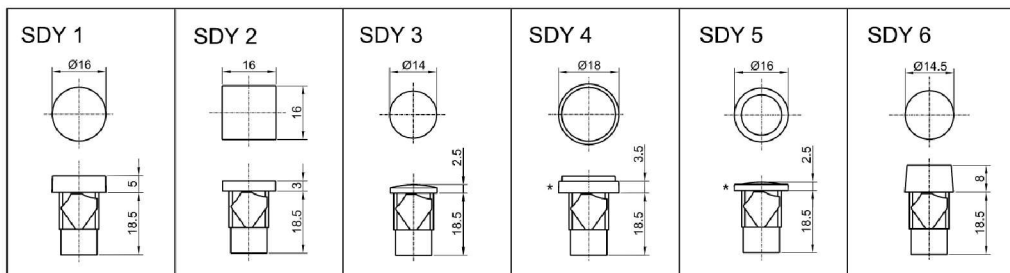
Recommended thickness panel from 0,8mm to 2mm

Method of connection to the panel self-locking

Type of connection male faston6,3x0,8mm • male faston4,8x0,8mm

Type of lensSDY1 • SDY2 • SDY3 • SDY4 • SDY5 • SDY6

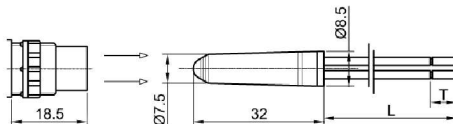
Colour G yellow R red V green VL green fluorescent B white BL blue



* Ghiera in metallo - Metal ring



9SL/TB/SLTS/SDK



Technical data

Lamps incandescent • neon/fluoro • L LED

Working Voltage 2V • 6V • 12V • 24V • 48V • 110V • 250V • 400V

Working temperature 90°C Max • 120°C Max • 150°C Max

Hole diameter 12mm

Recommended thickness panel from 0,5mm to 5mm

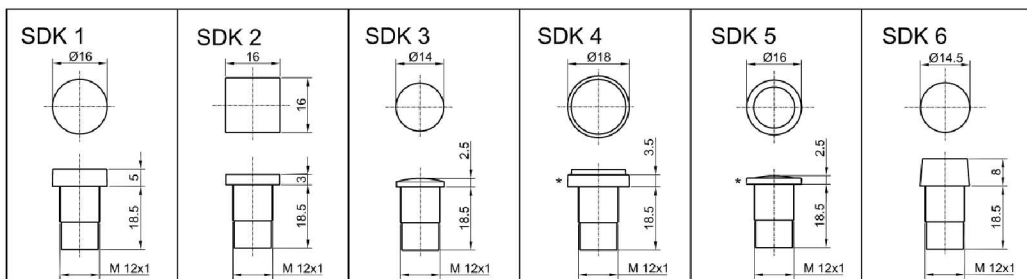
Method of connection to the panel with nut

Type of connection pvc cable • silicone cable • silicone-glass cable

Wire ends on request

Type of connection SDK1 • SDK2 • SDK3 • SDK4 • SDK5 • SDK6

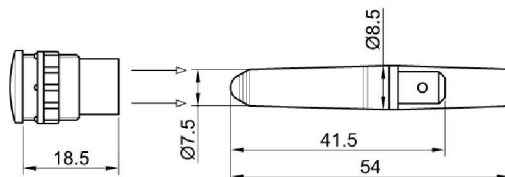
Colour G yellow R red V green VL green fluorescent B white BL blue



* Ghiera in metallo - Metal ring



9SL/TBF/SLTS/SDK



Technical data

Lamps incandescent • neon/fluoro • L LED

Working Voltage 2V • 6V • 12V • 24V • 48V • 110V • 250V • 400V

Working temperature 120°C Max • 150°C Max

Hole diameter 12mm

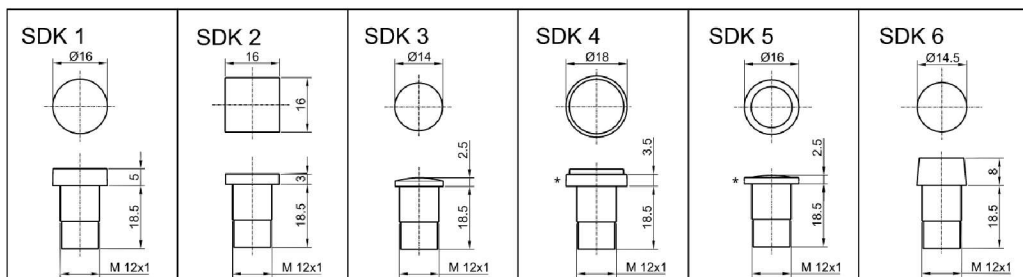
Recommended thickness panel from 0,5mm to 5mm

Method of connection to the panel with nut

Type of connection male faston 6,3x0,8mm • male faston 4,8x0,8mm

Type of lens SDK1 • SDK2 • SDK3 • SDK4 • SDK5 • SDK6

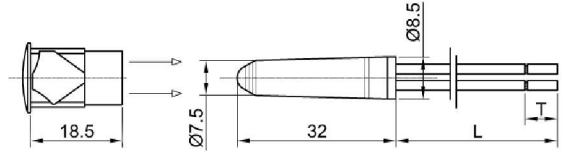
Colour G yellow R red V green VL green fluorescent B white BL blue



* Ghiera in metallo - Metal ring



9SL/TB/SLTS/SDY



Technical data

Lamps incandescent • neon/fluoro • L LED

Working Voltage 2V • 6V • 12V • 24V • 48V • 110V • 250V • 400V

Working temperature 90°C Max • 120°C Max • 150°C Max

Hole diameter 12mm

Recommended thickness panel from 0,8mm to 2mm

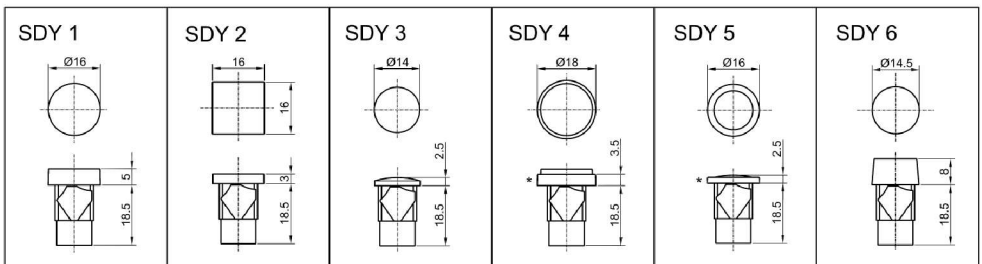
Method of connection to the panel self-locking

Type of connection PVC cable • silicone cable • silicone-glass cable

Wire ends on request

Type of lens SDY1 • SDY2 • SDY3 • SDY4 • SDY5 • SDY6

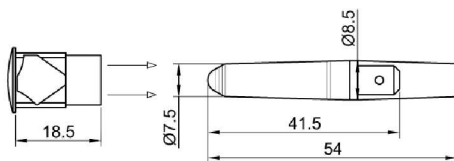
Colour G yellow R red V green VL green fluorescent B white BL blue



* Ghiera in metallo - Metal ring



9SL/TBF/SLTS/SDY



Technical data

Lamps incandescent • neon/fluoro • L LED

Working Voltage 2V • 6V • 12V • 24V • 48V • 110V • 250V • 400V

Working temperature 120°C Max • 150°C Max

Hole diameter 12mm

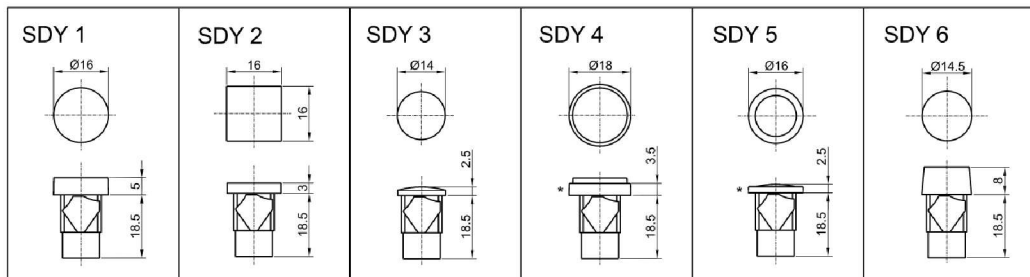
Recommended thickness panel from 0,8mm to 2mm

Method of connection to the panel self-locking

Type of connection male faston 6,3x0,8mm • male faston 4,8x0,8mm

Type of connection SDY1 • SDY2 • SDY3 • SDY4 • SDY5 • SDY6

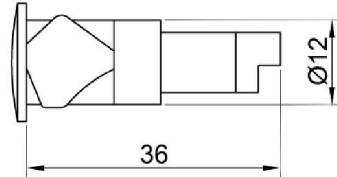
Colour G yellow R red V green VF green fluorescent B white BL blue



* Ghiera in metallo - Metal ring



9SL/FQ/SD



Technical data

Lamps incandescent • neon/fluoro • L LED

Working Voltage 2V • 6V • 12V • 24V • 48V • 110V • 250V • 400V

Working temperature 120°C Max • 150°C Max

Hole diameter 12mm

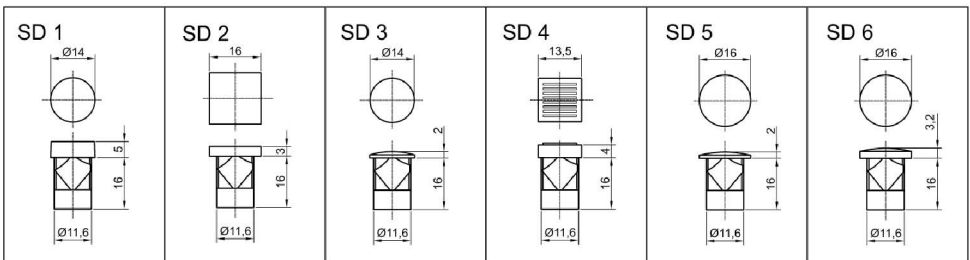
Recommended thickness panel from 0,5mm to 2,5mm

Method of connection to the panel self-locking

Type of connection quick connection

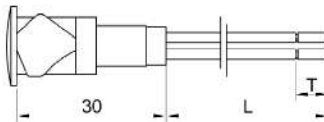
Type of lens SD1 • SD2 • SD3 , SD4 • SD5 • SD6

Colour G yellow R red V green VL green fluorescent B white BL blue





9SL/TB/013/SF



Technical data

Lamps incandescent • neon/fluoro • L LED

Working Voltage 2V • 6V • 12V • 24V • 48V • 110V • 250V • 400V

Working temperature 90°C Max • 120°C Max • 150°C Max

Hole diameter 13mm

Recommended thickness panel from 0,5mm to 2,5mm

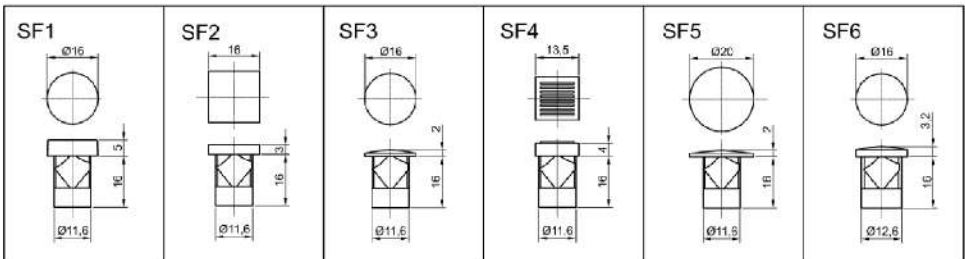
Method of connection to the panel self-locking

Type of connection PVC cable • silicone cable • silicone-glass cable

Wire ends on request

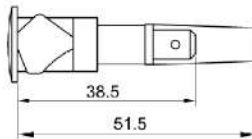
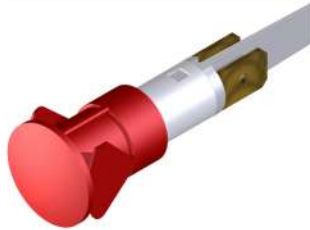
Type of lens SF1 • SF2 • SF3 • SF4 • SF4 • SF5 • SF6

Colour G yellow R red V green VL green fluorescent B white BL blue





9SL/TBF/013/SF



Technical data

Lamps incandescent • neon/fluoro • L LED

Working Voltage 2V • 6V • 12V • 24V • 48V • 110V • 250V • 400V

Working temperature 120°C Max • 150°C Max

Hole diameter 13mm

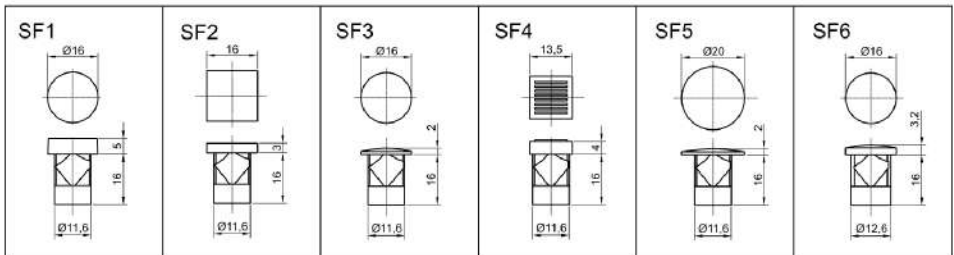
Recommended thickness panel from 0,5mm to 2,5mm

Method of connection to the panel self-locking

Type of connection male faston6,3x0,8mm • male faston4,8x0,8mm

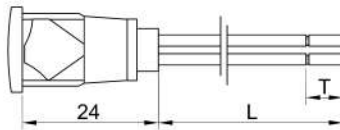
Type of lens SF1 • SF2 • SF3 • SF4 • SF5 • SF6

Colour G yellow R red V green VL green fluorescent B white BL blue





9SL/TB/013/SFY



Technical data

Lamps incandescent • neon/fluoro • L LED

Working Voltage 2V • 6V • 12V • 24V • 48V • 110V • 250V • 400V

Working temperature 90°C Max • 120°C Max • 150°C Max

Hole diameter 13mm

Recommended thickness panel from 0,8mm to 2mm

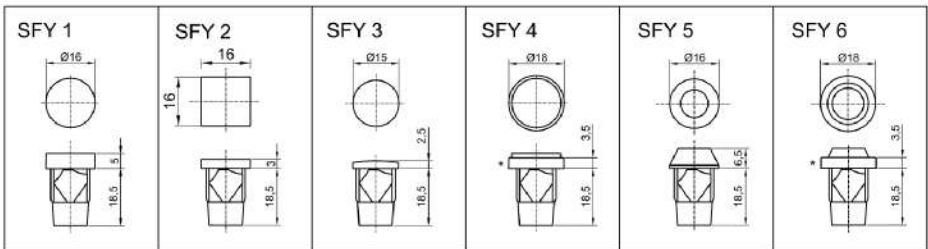
Method of connection to the panel self-locking

Type of connection PVC cable • silicone cable • silicone-glass cable

Wire ends on request

Type of lens SFY1 • SFY2 • SFY3 • SFY4 • SFY5 • SFY6

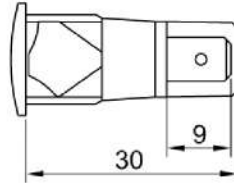
Colour G yellow R red V green VL green fluorescent B white BL blue



* Ghiera in metallo - Metal ring



9SL/TBF/013/SFY



Technical data

Lamps incandescen • neon/fluoro • L LED

Working Voltage 2V • 6V • 12V • 24V • 48V • 110V • 250V • 400V

Working temperature 120°C Max • 150°C Max

Hole diameter 13mm

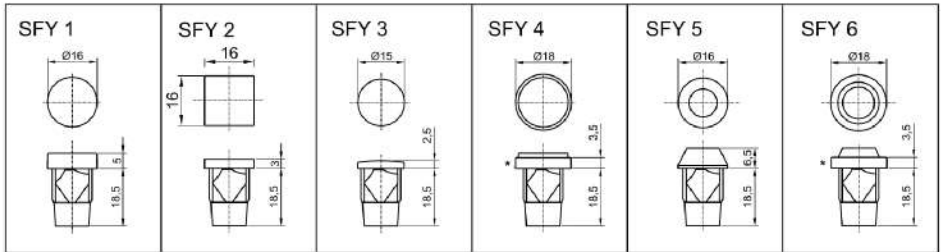
Recommended thickness panel from 0,8mm to 2mm

Method of connection to the panel self-locking

Type of connection male faston6,3x0,8mm • male faston4,8x0,8mm

Type of lens SFY1 • SFY2 • SFY3 • SFY4 • SFY5 • SFY6

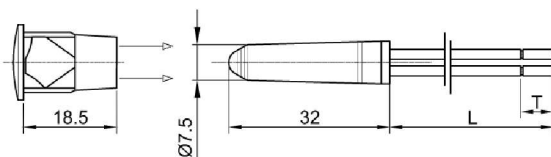
Colour G yellow R red V green VL green fluorescent B white BL blue



* Ghiera in metallo - Metal ring



9SL/TB/SLTS/SFY



Technical data

Lamps incandescent • neon/fluoro • L LED

Working Voltage 2V • 6V • 12V • 24V • 48V • 110V • 250V • 400V

Working temperature 90°C Max • 120°C Max • 150°C Max

Hole diameter 13mm

Recommended thickness panel from 0,8mm to 2mm

Method of connection to the panel self-locking

Type of connection PVC cable • silicone cable • silicone-glass cable

Wire ends on request

Type of lens SFY1 • SFY2 • SFY3 • SFY4 • SFY5 • SFY6

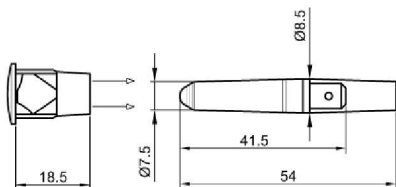
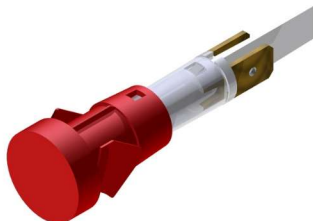
Colour G yellow R red V green VL green fluorescent B white BL blue

SFY 1	SFY 2	SFY 3	SFY 4	SFY 5	SFY 6

* Ghiera in metallo - Metal ring



9SL/TBF/SLTS/SFY



Technical data

Lamps incandescent • neon/fluoro • L LED

Working Voltage 2V • 6V • 12V • 24V • 48V • 110V • 250V • 400V

Working temperature 120°C Max • 150°C Max

Hole diameter 13mm

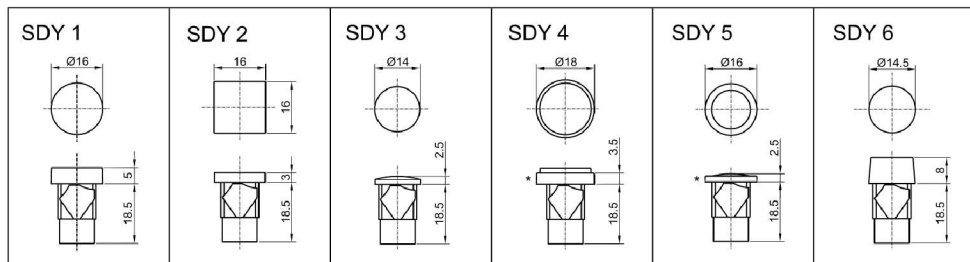
Recommended thickness panel from 0,8mm to 2mm

Method of connection to the panel self-locking

Type of connection male faston 6,3x0,8mm • male faston 4,8x0,8mm

Type of connection SFY1 • SFY2 • SFY3 • SFY4 • SFY5 • SFY6

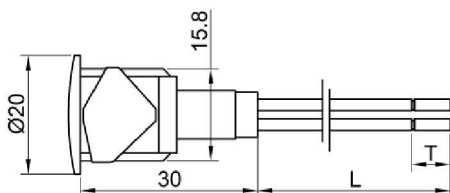
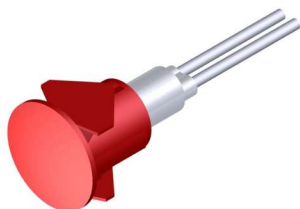
Colour G yellow R red V green VL green fluorescent B white BL blue



* Ghiera in metallo - Metal ring



9SL/TB/016/SH



Technical data

Lamps incandescent • neon/fluoro • L LED

Working Voltage 2V • 6V • 12V • 24V • 48V • 110V • 250V • 400V

Working temperature 90°C Max • 120°C Max • 150°C Max

Hole diameter 16mm

Recommended thickness panel from 0,5mm to 2,5mm

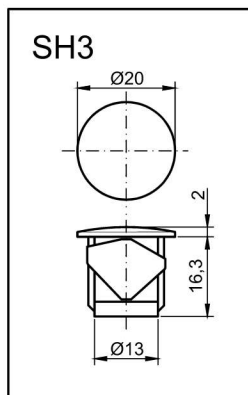
Method of connection to the panel self-locking

Type of connection PVC cable • silicone cable • silicone-glass cable

Wire ends on request

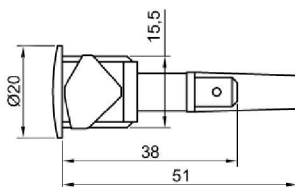
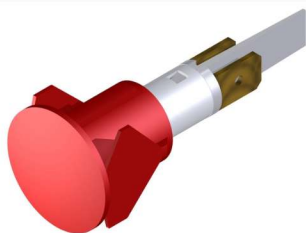
Tipo di lente SH3

Colour G yellow R red V green VL green fluorescent B white BL blue





9SL/TBF/016/SH



Technical data

Lamps incandescent • neon/fluoro • L LED

Working Voltage 2V • 6V • 12V • 24V • 48V • 110V • 250V • 400V

Working temperature 120°C Max • 150°C Max

Hole diameter 16mm

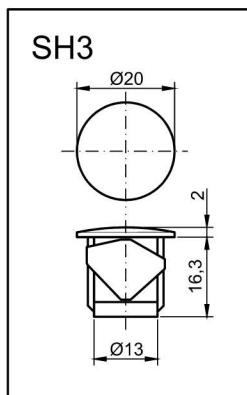
Recommended thickness panel from 0,5mm to 2,5mm

Method of connection to the panel self-locking

Type of connection male faston 6,3x0,8mm • male faston 4,8x0,8mm

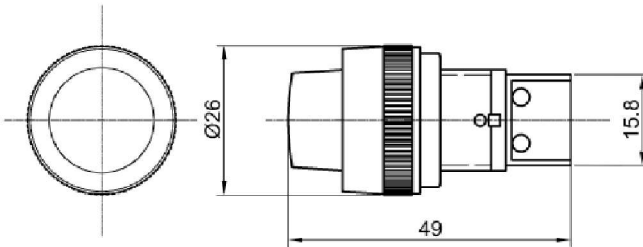
Type of lens SH3

Colour G yellow R red V green VF green fluorescent B white BL blue





9SL/Modello S22



Technical data

Lamps incandescent • neon/fluoro • L LED

Working Voltage 2V • 6V • 12V • 24V • 48V • 110V • 250V • 400V

Working temperature 120°C Max • 150°C Max

Hole diameter 18mm

Recommended thickness panel from 0,5mm to 5mm

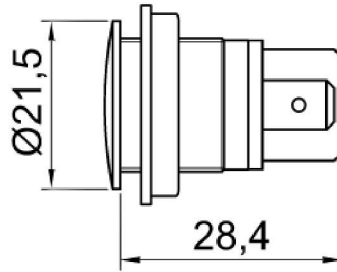
Method of connection to the panel with nut

Type of connection screw clamp

Colour G yellow R red V green VL green fluorescent B white BL blue



9SL/TBF/018/CFK



Technical data

Lamps L LED SDM

Working Voltage 12V • 230V

Working temperature 120°C Max

Hole diameter 18mm

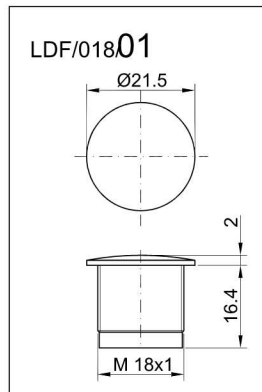
Recommended thickness panel from 0,5mm to 5mm

Method of connection to the panel with nut

Type of connection male faston 6,3x0,8mm • male faston 4,8x0,8mm

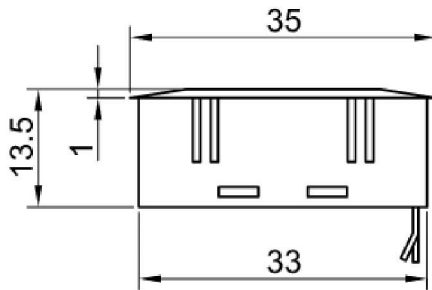
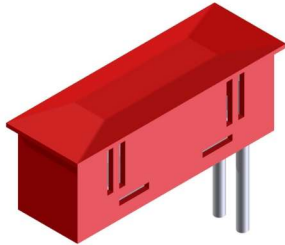
Type of lens CFK

Colour G yellow R red V green VL green fluorescent B white BL blue





9SL/Model UR



Technical data

Lamps incandescent • neon/fluoro • L LED

Working Voltage 2V • 6V • 12V • 24V • 48V • 110V • 250V • 400V

Working temperature 90°C Max • 120°C Max • 150°C Max

Hole dimensions 34,2 x 10,5

Method of connection to the panel self-locking

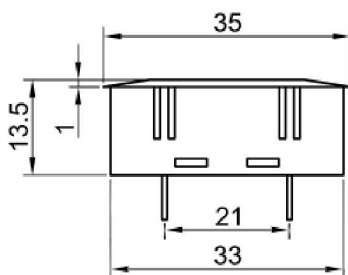
Type of connection PVC cable • silicone cable • silicone-glass cable

Wire ends on request

Colour G yellow R red V green VF green fluorescent B white BL blue



9SL/Model UR/F



Technical data

Lamps incandescent • neon/fluoro • L LED

Working Voltage 2V • 6V • 12V • 24V • 48V • 110V • 250V : 400V

Working temperature 120°C Max • 150°C Max

Hole dimensions 34,2 x 10,5

Method of connection to the panel self-locking

Type of connection male faston 6,3x0,8mm • male faston 4,8x0,8mm

Colour G yellow R red V green VF green fluorescent B white BL blue



www.comelux.it



+39 0435 67141

businessdevelopment@comelux.it

Via Monte Croce 47
32040 Comelico Superiore (BL) - Italy



X-ON Electronics

Largest Supplier of Electrical and Electronic Components

Click to view similar products for [LED Panel Mount Indicators](#) category:

Click to view products by [COMELUX](#) manufacturer:

Other Similar products are found below :

[607-3232-140F](#) [821-0331-503](#) [FL2870C8R](#) [FL2950WL7B](#) [FL2950WL8G](#) [FL589WL8R](#) [FL67C8R](#) [H8630FBBA3](#) [MPC5ADW6.0](#)
[NL177WL2A](#) [NL177WL3G](#) [NL276C2A](#) [NL2950BWL3G](#) [NL589WL2R](#) [NL67C2C](#) [NL67C3R](#) [C480AABG3](#) [PB22BM41K](#) [PB22SIM40Y](#)
[PB22SKRS31KC](#) [L32R-R2-2311](#) [L3353-MWRG](#) [L39UR-R24-2111](#) [L58D-G2-W](#) [L58D-Y2-W](#) [L59D-R12-W](#) [L59UD-R12-W](#) [L625DG](#)
[L625DR](#) [LE177WL39007](#) [LE2821H5G](#) [LH1048BSWL3702](#) [LH1048BWL3702](#) [LH382A](#) [LH677G](#) [LHM628A](#) [FL276WL7R](#)
[FL2950BWL7R](#) [FL2950WL7R](#) [FL2950WL8R](#) [FL2950WL8R-12](#) [FL2951WL8G](#) [FL2951WL8R](#) [FL589C7R](#) [FL67WL8G](#) [556-1605-808F](#)
[556-1705-809F](#) [556-3008-839F](#) [558-0201-818F](#) [559-0001-813F](#)