

Electronic Components

PRODUCT CATALOG



常利興業股份有限公司
COMFORTABLE ELECTRONIC CO., LTD.

COMPANY PROFILE

Comfortable Electronic Co., Ltd. (COMF) specializes in the production of Battery Holders, Battery Snaps and Plastic Injection Molding. Over the years, COMF has actively extended their product offering to include Coin Cell Holders, Battery Clips, Battery Contacts and Wire Assemblies. Always aiming to meet the client's need, COMF offers the best solution for design, development and production.

COMF has been a professional component manufacturer and designer for over 40 years, constantly developing and refining our products through our R&D team. We strive to provide quality at all levels of our organization and were an early adopter of ISO 9001 and ISO 14001 certification for our factories. Our products also comply to many international and regional standards such as RoHS and REACH. The Safety Battery Holders and the Battery Snaps innovated and made by us are patented in China, Japan, Thailand, Vietnam, New Zealand, Singapore, Malaysia, Indonesia, Taiwan, United States of America, United Kingdom and Germany.

Due to the good relations in regional ASEAN markets, COMF cooperated with a local company in Indonesia in 2011 and went into operation next year. Furthermore, 2014 economic benefits reached the target as we expected. For sustainable business, COMF expands the R&D team in Taiwan and will keep investing into the future.

常利興業以電池盒、電池扣及塑膠射出起家，近年來積極跨入周邊產品，如鋰電池盒、端子、連接器、五金彈片與線束產品。除提供標準化產品外，亦可依客戶需求，進行設計、開發與生產。

常利興業已有40年餘專業設計及製造經驗，通過ISO9001、ISO14001認證；並符合RoHS及REACH歐盟環保認證。常利興業不斷投入多款產品改良與研發，自80年起陸續取得英國、美國、日本、德國、泰國、越南、紐西蘭、新加坡、馬來西亞、印尼、中國、及台灣等多項專利權。

因應東協市場發展，及中國製造成本提高，常利興業自2011年與印尼廠商合作，並於2012開始投產。初步預期經濟效益已於2014年底達成。為達到永續經營，常利興業持續擴充工程人員與投資自動化生產設備項目，計畫在台擴充研發團隊與生產項目。



PRODUCT SPOTLIGHT



CONTENTS	PAGE
UM-1 Battery Holder01
UM-2 Battery Holder03
UM-3 Battery Holder05
UM-4 Battery Holder09
UM-5 Battery Holder11
Other Battery Holder12
Battery Holder Contact13
Safety Battery Holder15
Waterproof Battery Holder20
Coin Cell Holder21
Battery Snap24
Battery Clips28
Battery Contacts31
Wire Harness41

HOW TO USE THIS CATALOG

電池盒電池釦號碼讀法如下圖所示

The method of reading the battery holder number is as shown below.
(Example)



The method of reading the battery snap number is as shown below.
(Example)



TYPE	CRIMPING				CT-CRIMPING			
	PVC.VINYL	RIGID		SAFETY	PVC.VINYL	RIGID		SAFETY
I	BS-IC	BS-IR	BS-IR-1	SBS-IR-1	BS-ICCT	BS-IRCT	BS-IRCT-1	SBS-IRCT-1
E	BS-EC	BS-ER	BS-ER-1	SBS-ER	BS-ECCT	BS-ERCT	BS-ERCT-1	SBS-ERCT
T	BS-TC	BS-TR			BS-TCCT	BS-TRCT		
P	BS-PC				BS-PCCT			

Patents:

Enclosed Battery Holder
Cylindrical Terminal Rivet and Battery Snap
Charger with Replaceable Signal Line for a Car
USB Power Pack and Charger
Battery Case Having Retaining Function
Waterproof Battery Case
Battery Case and Electrode Plate Set for Use in the Same



Product Series:

Battery Holder:

Offering the variety of battery size-- D, C, AA, AAA, N, 9V, 1/2AA, 123A, 18650.

Coin Cell Holder:

Offering the variety of lithium cell size-- $\varnothing 12, \varnothing 16, \varnothing 20, \varnothing 23, \varnothing 24$.

Battery Snap:

Offering the standard / customized snaps for 9V cell.

Battery Clip and Contact:

Offering the variety of battery clip for the coin cell size
 $\varnothing 4.8, \varnothing 6.8, \varnothing 12, \varnothing 16, \varnothing 20, \varnothing 24$ and battery contacts.

Wire Harness and Assemblies

Offering OEM services to meet the demand of each customer.



新型專利產品:



電池盒類：封閉式電池盒·具固定功能之電池盒·防水電池盒。
端子類及其應用：套筒式端鉚釘及其對應之電池扣·電池盒及其極片組。
充電器類：隨身充電盒·可更換式訊號線的車用充電裝置。
生產設備類：絲帶裁線機。

電池盒系列產品

提供D, C, AA, AAA, N, 9V, 1/2AA, 123A, 18650等不同電池規格與數量之塑膠類電池盒。

鋰電池盒系列產品

提供 $\varnothing 12, \varnothing 16, \varnothing 20, \varnothing 23, \varnothing 24$, 等不同直徑之塑膠鋰電池盒。

電池扣系列產品

針對9V電池提供標準與客製電池扣。



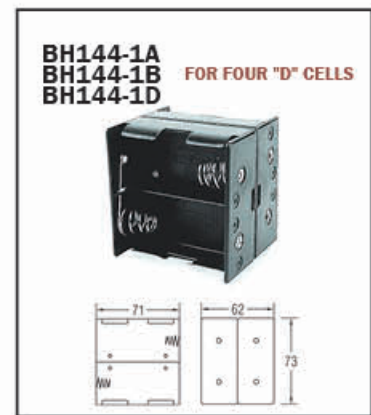
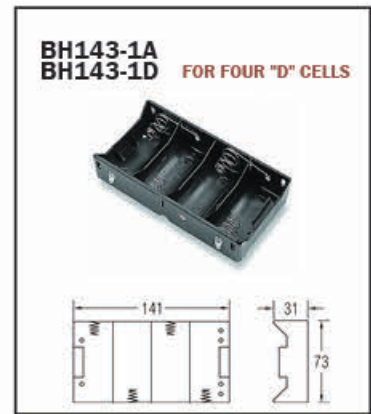
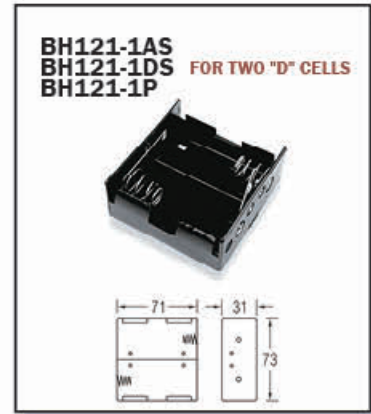
金屬彈夾及金屬彈片

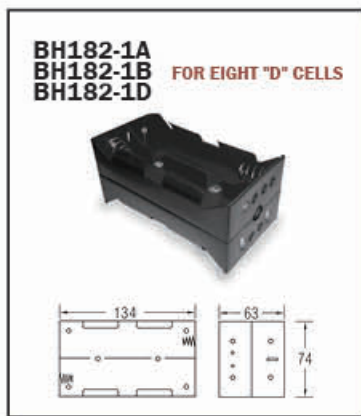
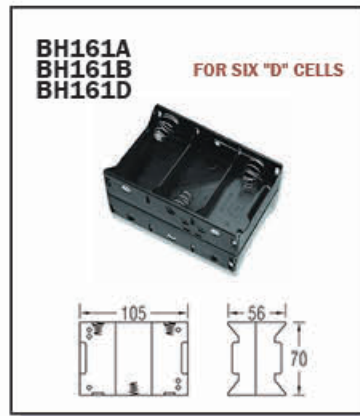
提供 $\varnothing 4.8, \varnothing 6.8, \varnothing 12, \varnothing 16, \varnothing 20, \varnothing 24$ 等不同直徑規格之金屬彈夾；
提供凸包式、彈簧式、舌片式各類金屬彈片。

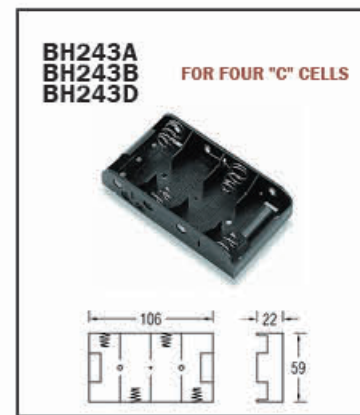
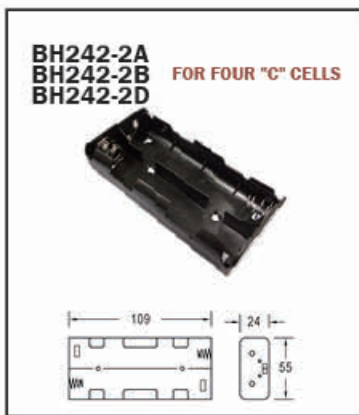
線束線組系列產品

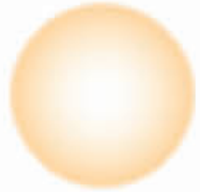
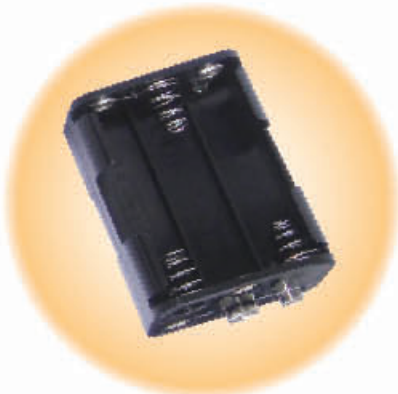
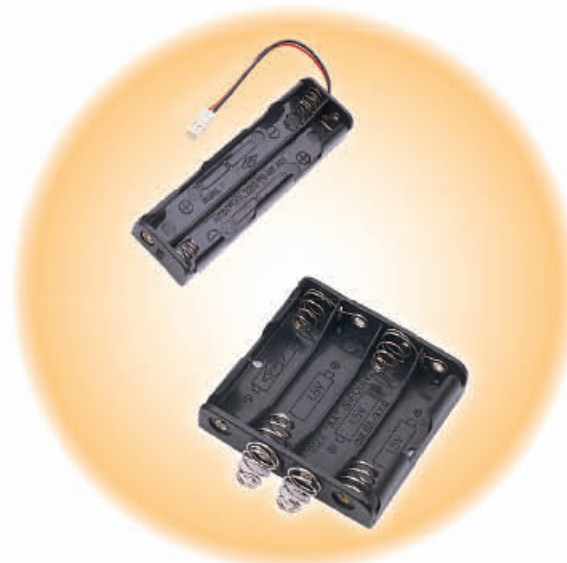
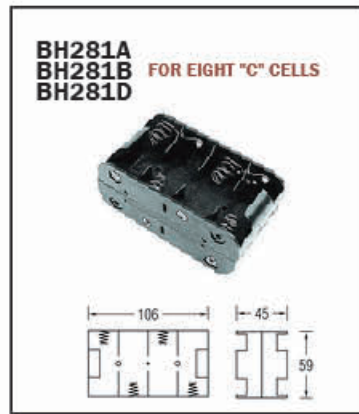
依客戶需求進行生產·並附加其他輸出或控制元件。

UM- 1 or 'D' SIZE or EQUIV

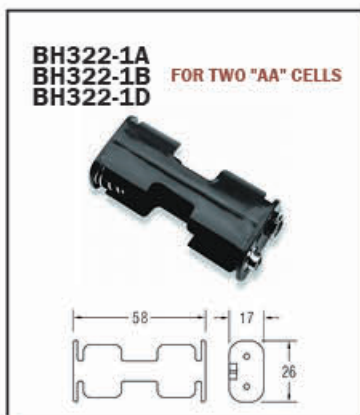








UM- 3 or 'AA' SIZE or EQUIV



BH325-1A
BH325-1AS FOR TWO "AA" CELLS




BH331-2A
BH331-2B FOR THREE "AA" CELLS
BH331-2D
BH331-2P




BH331-3A
BH331-3B FOR THREE "AA" CELLS
BH331-3D
BH331-3P




BH332A FOR THREE "AA" CELLS




BH333A
BH333D FOR THREE "AA" CELLS
BH333P




BH341-1A
BH341-1B FOR FOUR "AA" CELLS
BH341-1D
BH341-1P





BH341-2A
BH341-2B FOR FOUR "AA" CELLS
BH341-2D
BH341-2P




BH341-4A
BH341-4B FOR FOUR "AA" CELLS
BH341-4D
BH341-4P




BH341-6A
BH341-6B FOR FOUR "AA" CELLS
BH341-6D
BH341-6P




BH342-1A
BH342-1B FOR FOUR "AA" CELLS
BH342-1D




BH343-1A
BH343-1B FOR FOUR "AA" CELLS
BH343-1D




BH343-2A
BH343-2B FOR FOUR "AA" CELLS
BH343-2D




UM- 3 or 'AA' SIZE or EQUIV

BH343-3A
BH343-3B FOR FOUR "AA" CELLS
BH343-3D




BH344A
BH344B FOR FOUR "AA" CELLS
BH344D
BH344P




BH351A
BH351B FOR FIVE "AA" CELLS
BH351D




BH361A
BH361B FOR SIX "AA" CELLS
BH361D




BH362A
BH362B FOR SIX "AA" CELLS
BH362D
BH362P




BH363-1A
BH363-1B FOR SIX "AA" CELLS
BH363-1D




BH364A
BH364D FOR SIX "AA" CELLS



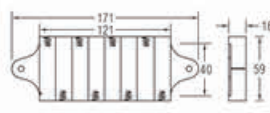

BH365A
BH365B FOR SIX "AA" CELLS
BH365D




BH381A
BH381B FOR EIGHT "AA" CELLS
BH381D




BH381-2A
BH381-2B FOR EIGHT "AA" CELLS
BH381-2D

BH381-3A
BH381-3B FOR EIGHT "AA" CELLS
BH381-3D




BH382A
BH382B FOR EIGHT "AA" CELLS
BH382D






UM- 4 or 'AAA' SIZE or EQUIV

BH411-2A
BH411-2D FOR ONE "AAA" CELL
BH411-2P

BH411-3A
BH411-3D FOR ONE "AAA" CELL
BH411-3P

BH411-4A
BH411-4D FOR ONE "AAA" CELL
BH411-4P

BH421A
BH421B FOR TWO "AAA" CELLS
BH421D
BH421P

BH421-1A
BH421-1B FOR TWO "AAA" CELLS
BH421-1D
BH421-1P

BH421-3A
BH421-3B FOR TWO "AAA" CELLS
BH421-3D
BH421-3P

BH421-4A
BH421-4B FOR TWO "AAA" CELLS
BH421-4D
BH421-4P

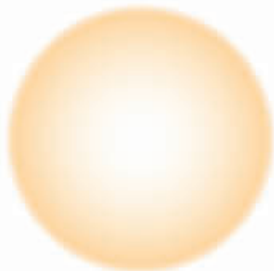
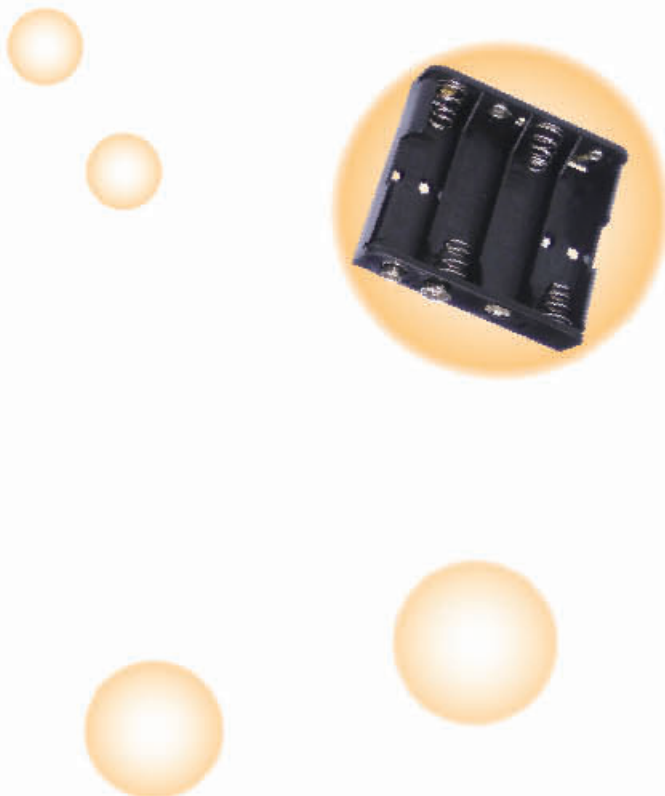
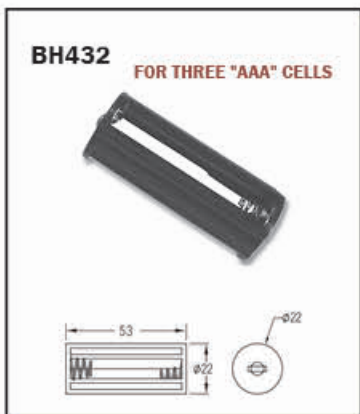
BH422A
BH422B FOR TWO "AAA" CELLS
BH422D

BH422-1A
BH422-1B FOR TWO "AAA" CELLS
BH422-1D

BH425A
BH425D FOR TWO "AAA" CELLS
BH425P

BH431-1A
BH431-1B FOR THREE "AAA" CELLS
BH431-1D
BH431-1P

BH431-2A
BH431-2B FOR THREE "AAA" CELLS
BH431-2D
BH431-2P



UM- 5 or 'N' SIZE or EQUIV

BH511-2A
BH511-2D
BH511-2P FOR ONE "N" CELL



BH511-3A
BH511-3D
BH511-3P FOR ONE "N" CELL



BH511-4A
BH511-4D
BH511-4P FOR ONE "N" CELL



BH521A
BH521D
BH521P FOR TWO "N" CELLS



BH522-3A
BH522-3D
BH522-3D FOR TWO "N" CELLS

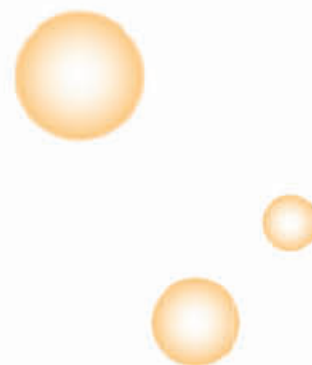
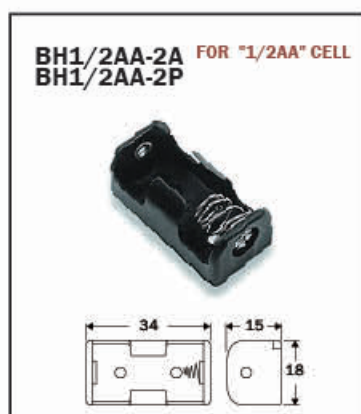
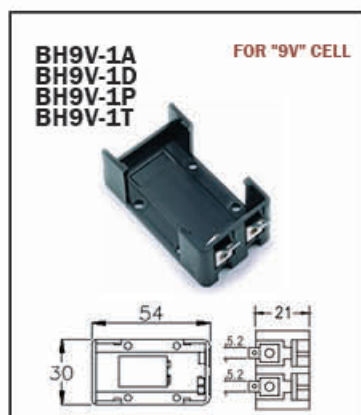
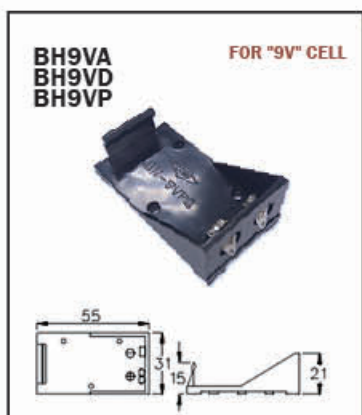


BH522-4A
BH522-4D
BH522-4D FOR TWO "N" CELLS



BH543A
BH543D FOR FOUR "N" CELLS





BATTERY HOLDER CONTACT

SAI ISO 9001
SAI ISO 14001



Patent of Battery Holder Contact:

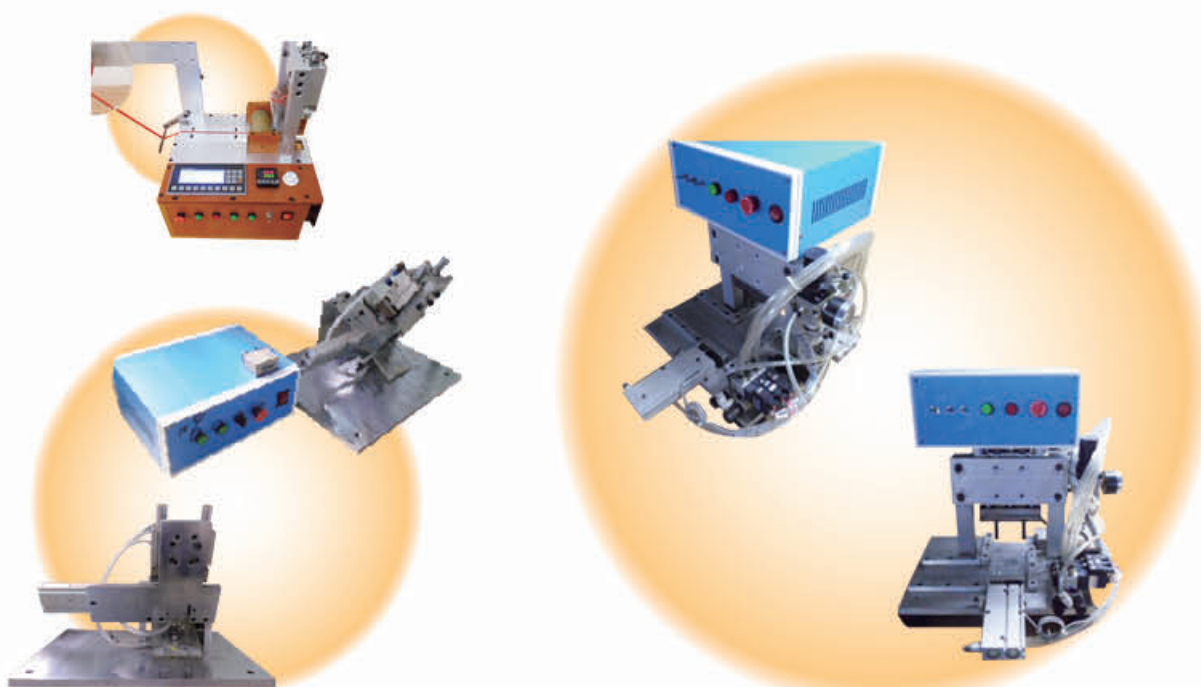
TW PAT NO. M 485568
CH PAT NO. ZL 201420309549.4
GE PAT NO. Nr. 202014007329.5
ID PAT NO. ID P000050964
SG PAT NO. 10201405520V

Patent Applications: US, UK,





Automatic Machines for Battery Holder Contact



**SBH-131A
SBH-131B
SBH-131D**

FOR THREE "D" CELLS

**SBH-141A
SBH-141B
SBH-141D**

FOR FOUR "D" CELLS

**SBH-221A
SBH-221AS**

FOR TWO "C" CELLS

**SBH-231A
SBH-231B
SBH-231D**

FOR THREE "C" CELLS

**SBH-321-1A
SBH-321-1AS**

FOR TWO "AA" CELLS

SBH-321-2A

FOR TWO "AA" CELLS



**SBH-341-3A
SBH-341-3AS
SBH-341-3S/USB**

FOR FOUR "AA" CELLS




Bottom

**SBH-341-4A
SBH-341-4AS**

FOR FOUR "AA" CELLS




Bottom

**SBH-361A
SBH-361D**

FOR SIX "AA" CELLS




Bottom

**SBH-381A
SBH-381AS**

FOR EIGHT "AA" CELLS




Bottom

SBH-3201S/MV

FOR TWENTY "AA" CELLS




Bottom

**SBH-421-1A
SBH-421-1AS**

FOR TWO "AAA" CELLS




Bottom



SAFETY BATTERY HOLDER

SAI ISO 9001
SAI ISO 14001



WATERPROOF BATTERY HOLDER

SAI ISO 9001
SAI ISO 14001

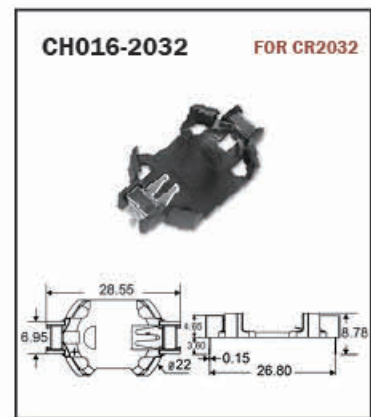


Patent of Waterproof Battery Holder:

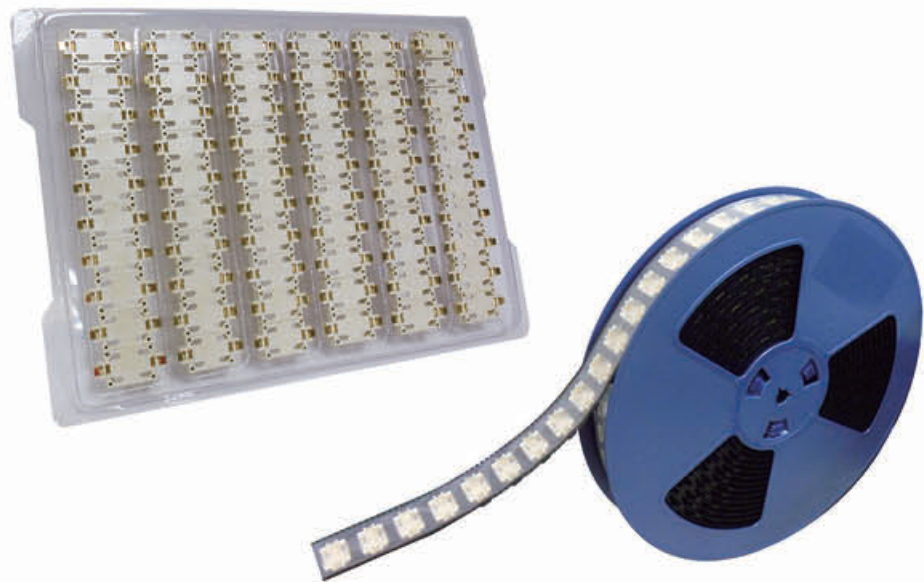
TW PAT NO. M 523262

CH PAT NO. ZL201620197220.2

US PAT NO. US 10,056,584 B2


















TYPE: I, E, T, P

PATENT OF BATTERY SNAP:

CRIMPING: CH	PAT NO. ZL 93 2 11734.1	CT-CRIMPING: CH	PAT NO. ZL 01 2 24559.3
TW	PAT NO. 88476	GE	PAT NO. Nr. 201 10 120.3
U.S.	PAT NO. 5.312.269	TW	PAT NO. 198102
UK	PAT NO. 2277838	U.S.	PAT NO. 6,478,633B1
VN	PAT NO. HI-0144		
ZA	PAT NO. 94/2542		

FOR 9V CELL

TYPE	CRIMPING			
	PVC. VINYL	RIGID		SAFETY
I	<p>BS-IC</p> 	<p>BS-IR</p> 	<p>BS-IR-1</p> 	<p>SBS-IR-1</p> 
E	<p>BS-EC</p> 	<p>BS-ER</p> 	<p>BS-ER-1</p> 	<p>SBS-ER</p> 
T	<p>BS-TC</p> 	<p>BS-TR</p> 	---	---
P	<p>BS-PC</p> 	---	---	---












CYLINDRICAL TERMINAL RIVET (CT-CRIMPING)

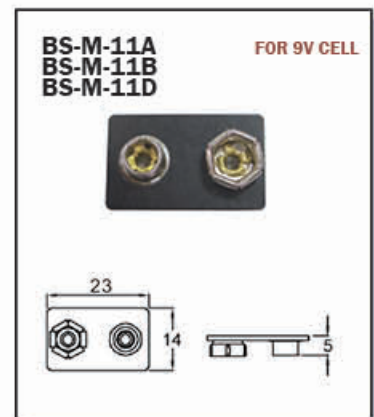
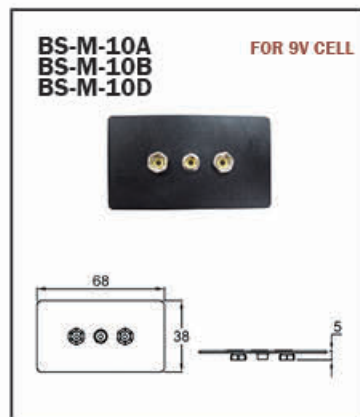
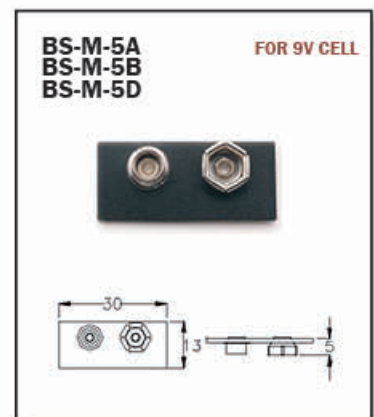
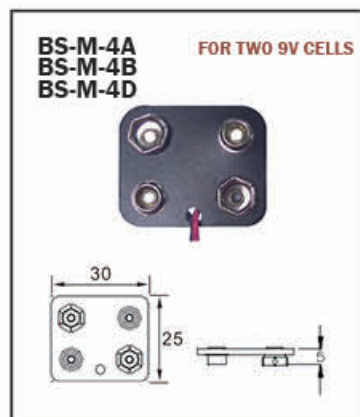
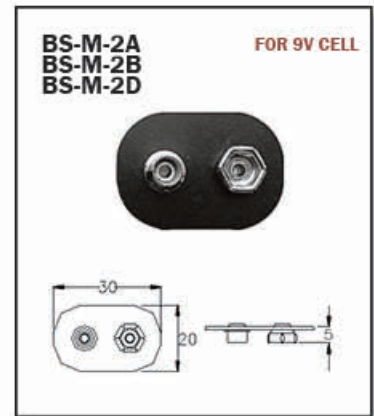


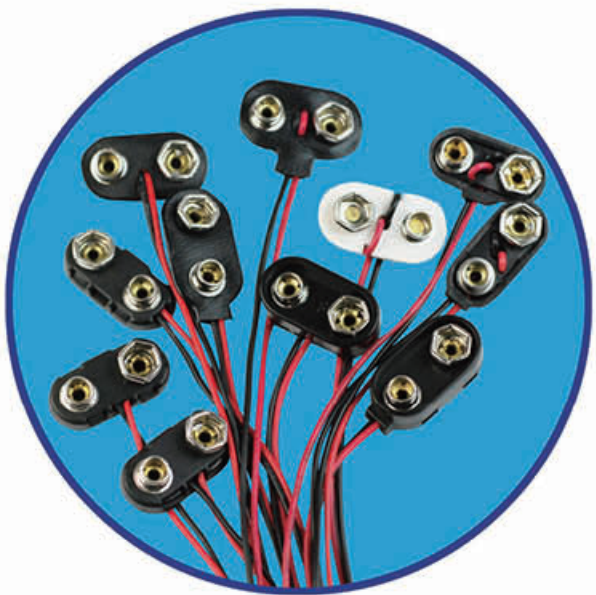
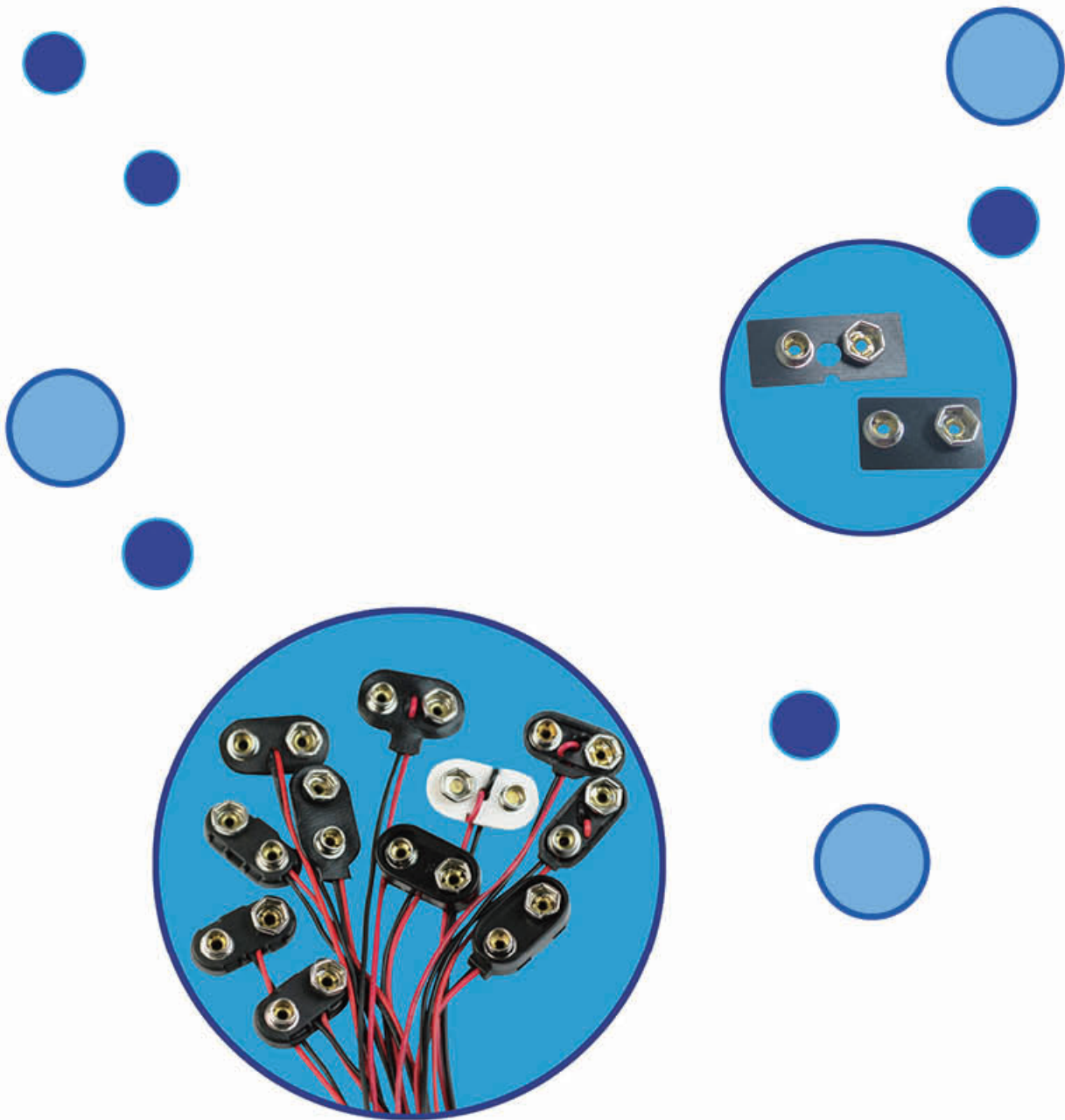
ADVANTAGES:

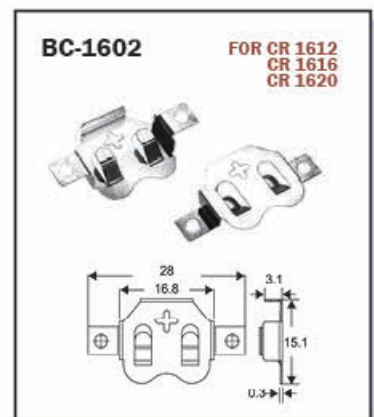
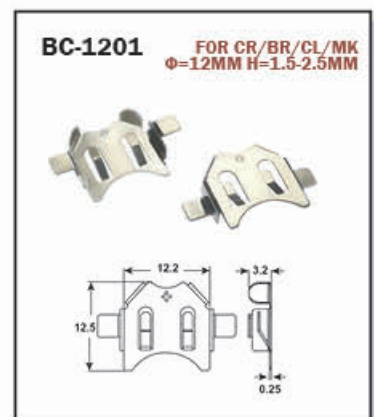
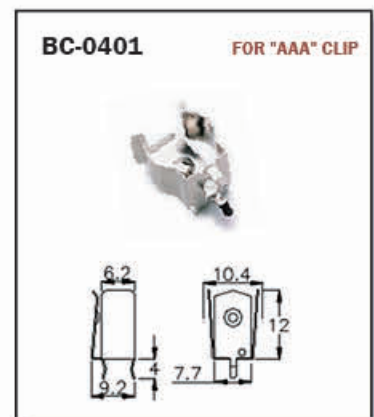
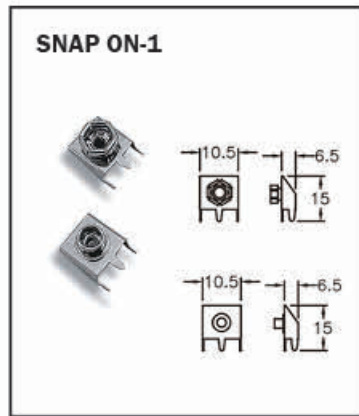
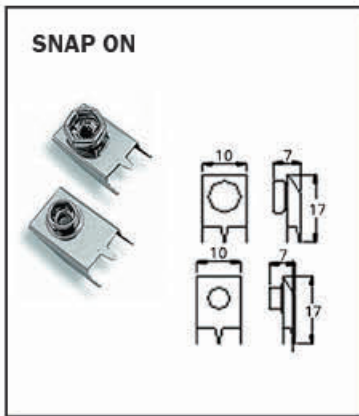
- LeadFree
- Prevent the foreign liquid spread into riveted spot.
- Increase the torque strength

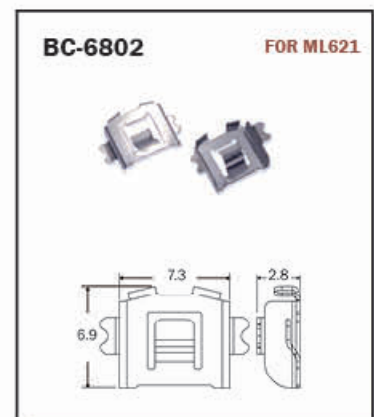
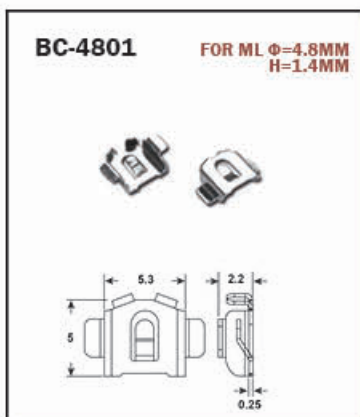
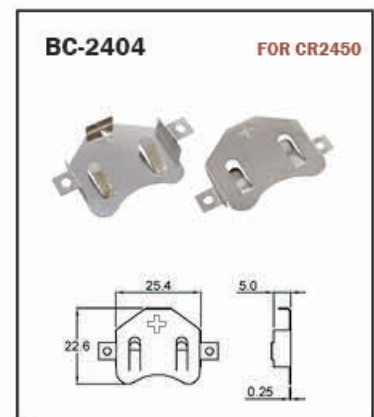
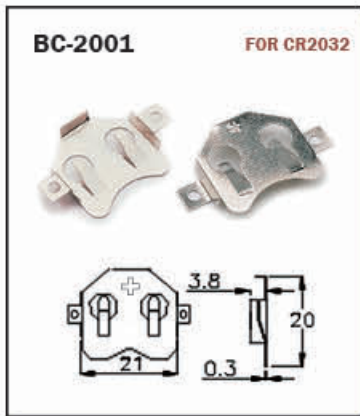
FOR 9V CELL

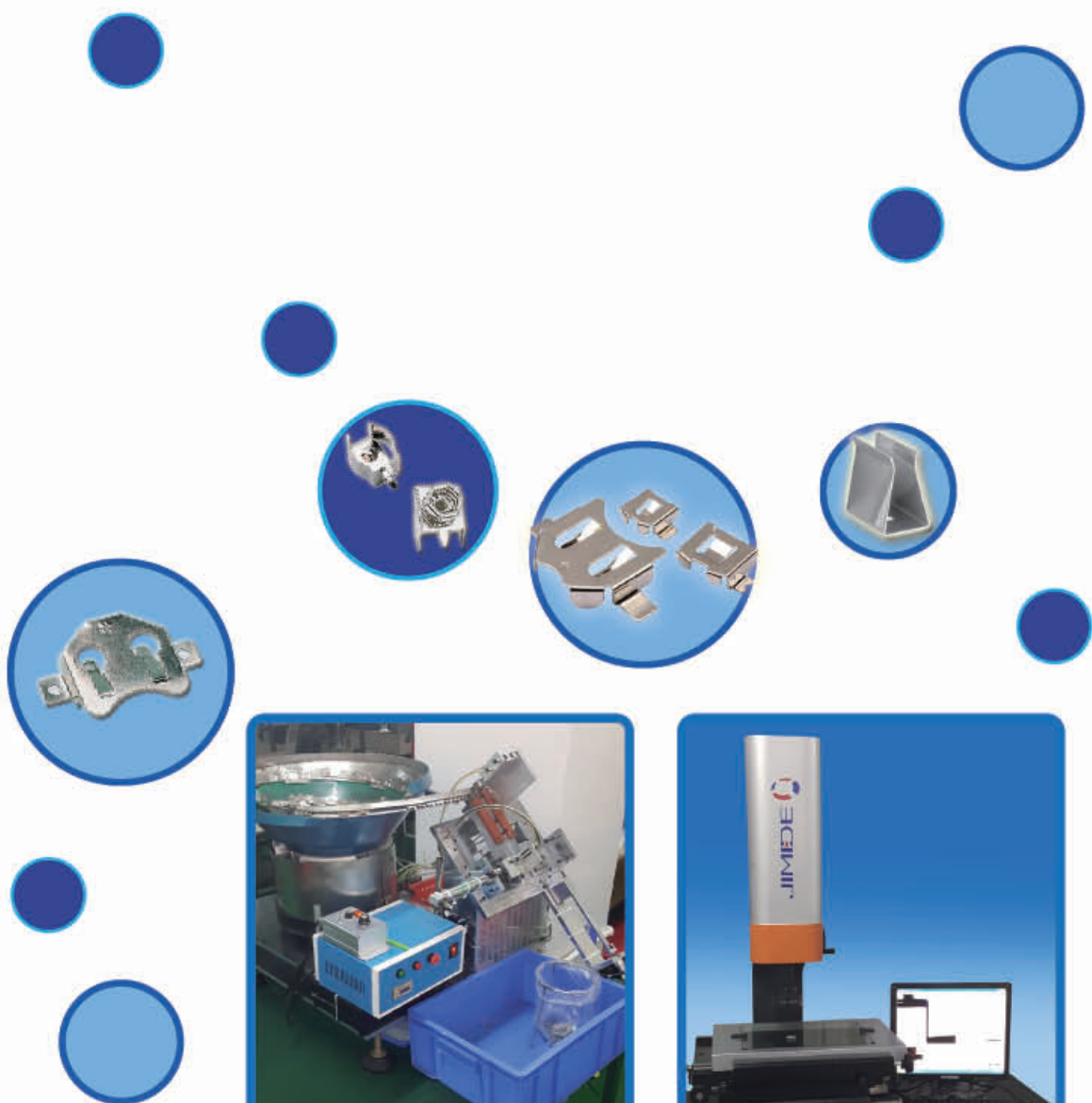
TYPE	CT-CRIMPING			
	PVC. VINYL	RIGID		SAFETY
I	BS-ICCT 	BS-IRCT 	BS-IRCT-1 	SBS-IRCT-1 
E	BS-ECCT 	BS-ERCT 	BS-ERCT-1 	SBS-ERCT 
T	BS-TCCT 	BS-TRCT 	-----	-----
P	BS-PCCT 	-----	-----	-----



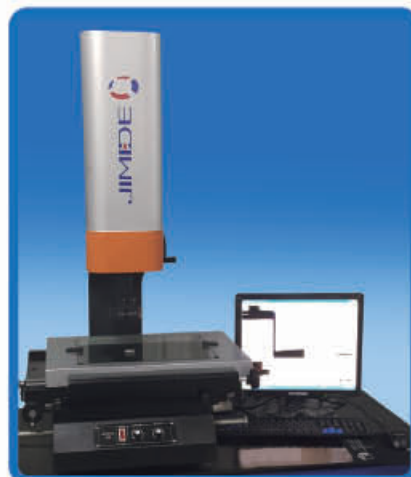




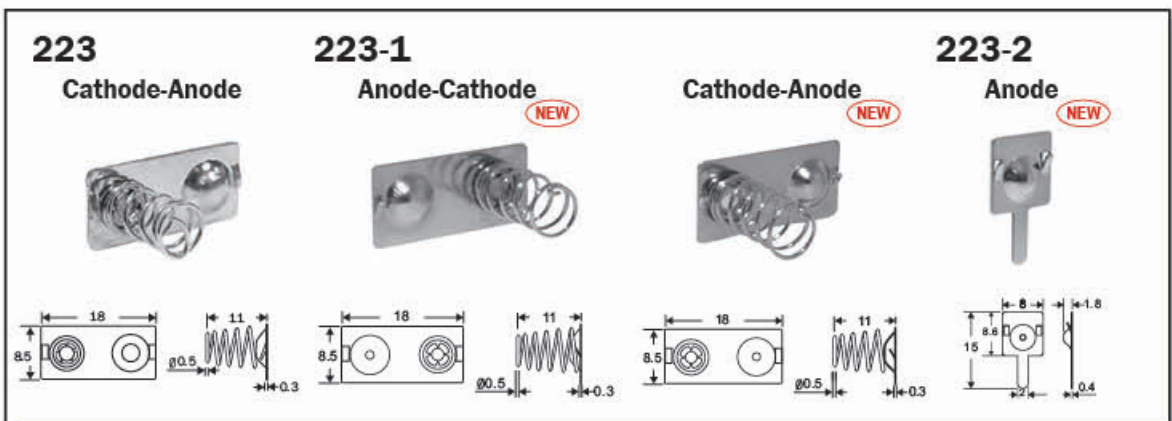
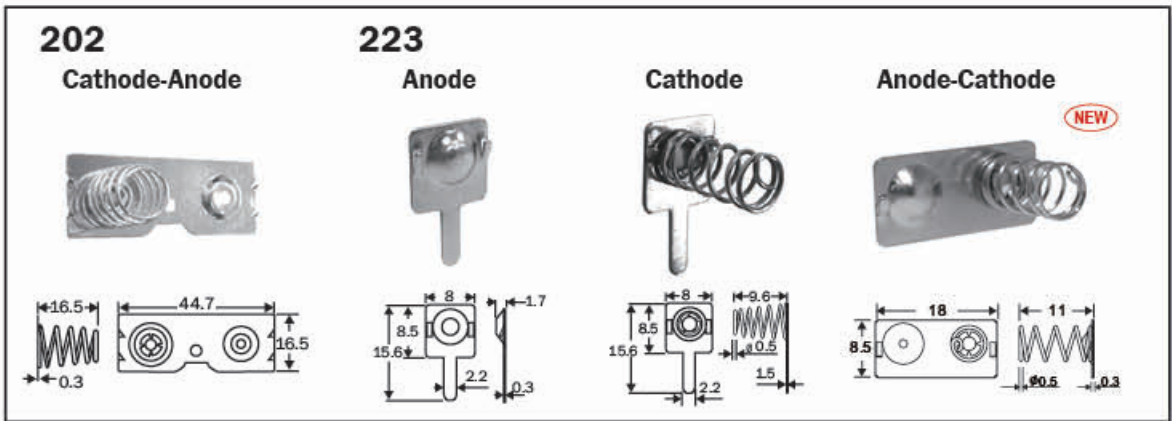
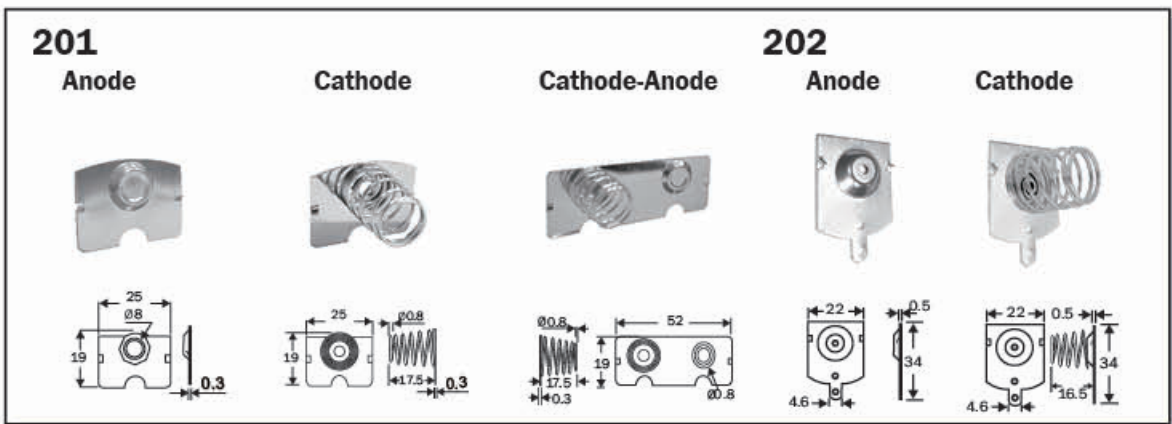
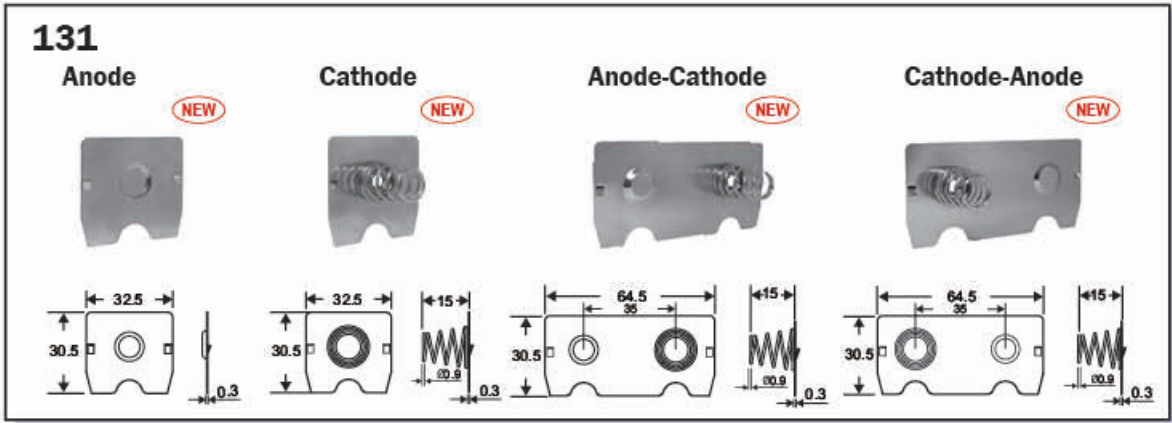




彈片平整度檢測 / 校正儀
Flatness analyzer for battery clips



2.5D 影像測量儀
2.5D Vision Measuring Machine



223-2 Cathode NEW	Anode-Cathode NEW	Cathode-Anode NEW	223-3 Anode-Cathode NEW

224 Anode	Cathode	Long-Cathode	Anode-Cathode	Cathode-Anode

224-1 Anode	Cathode	Anode-Cathode	224-2 Long-Cathode	Cathode-Anode





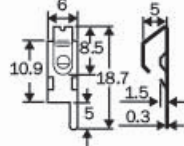
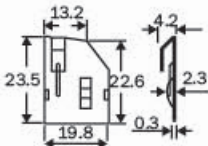
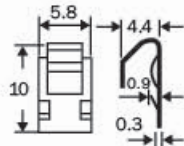
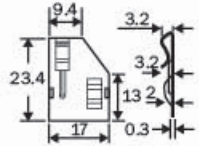
224-3 Cathode-Anode	224-4 Cathode-Anode-Left NEW	Cathode-Anode-Right NEW





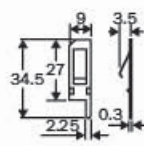
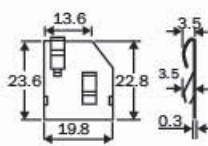
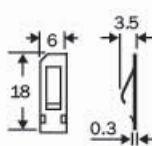
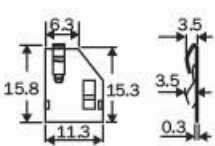
228	Anode	Cathode	Anode-Cathode	Cathode-Anode





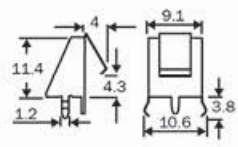
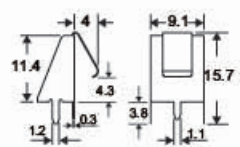
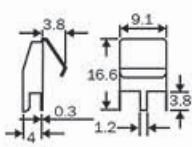
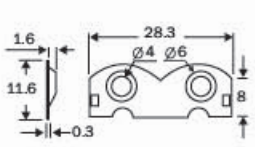
228-1	301	302
Anode	Anode	Anode-Cathode




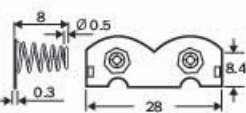
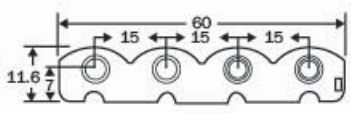
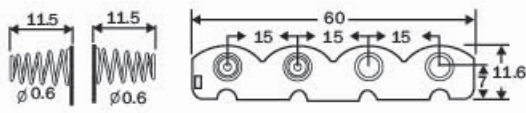
302	303	303	303
Cathode-Anode	Anode	Cathode	Anode-Cathode



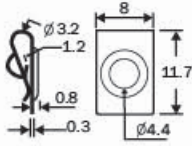
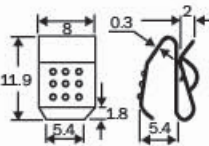


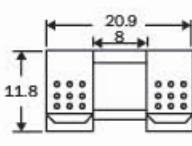
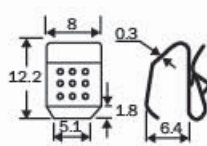
303	303-1
Cathode-Anode	Anode-Cathode




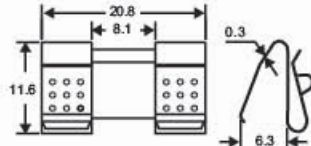
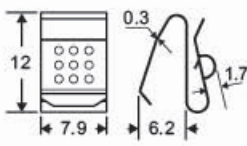
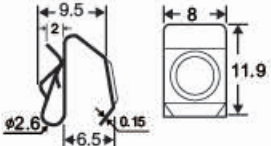
304 Anode	Anode-Cathode	304-1 Anode	Anode-Cathode
			
			



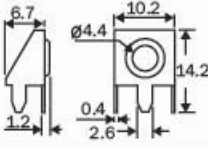
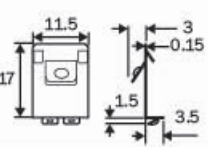


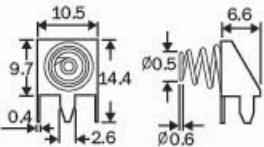
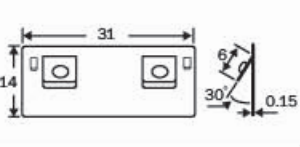
304-2 Anode	Anode-Cathode	304-3 Anode	Anode-Cathode
			
			




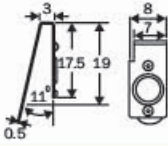
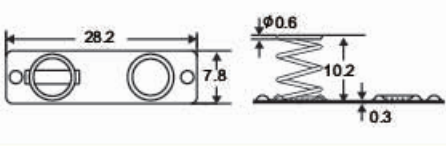
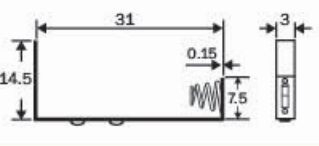
305 Anode	305-1 Anode NEW	306 Anode	307 Anode-Anode
			
			

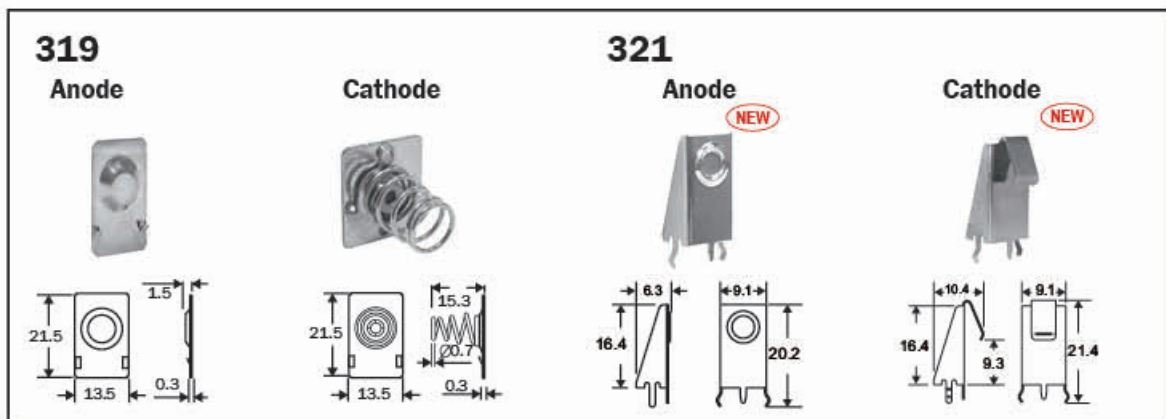
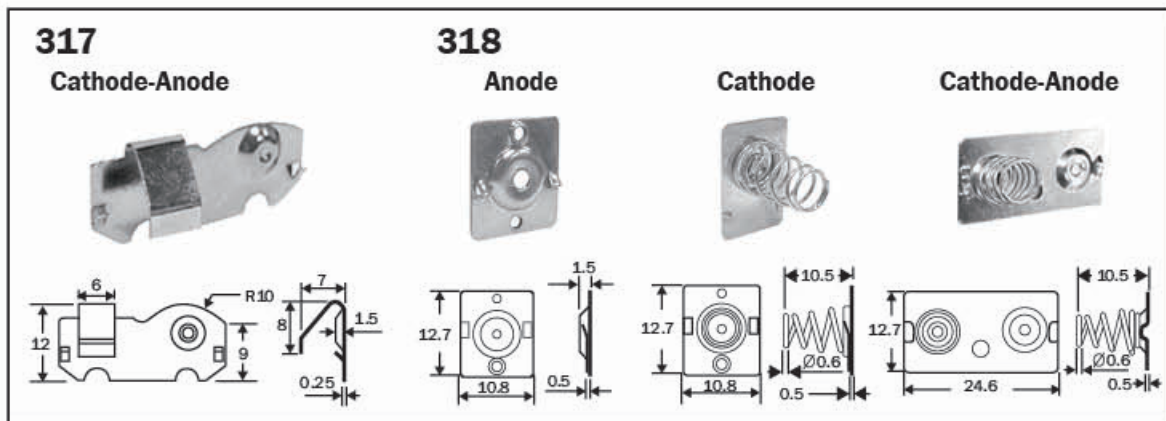
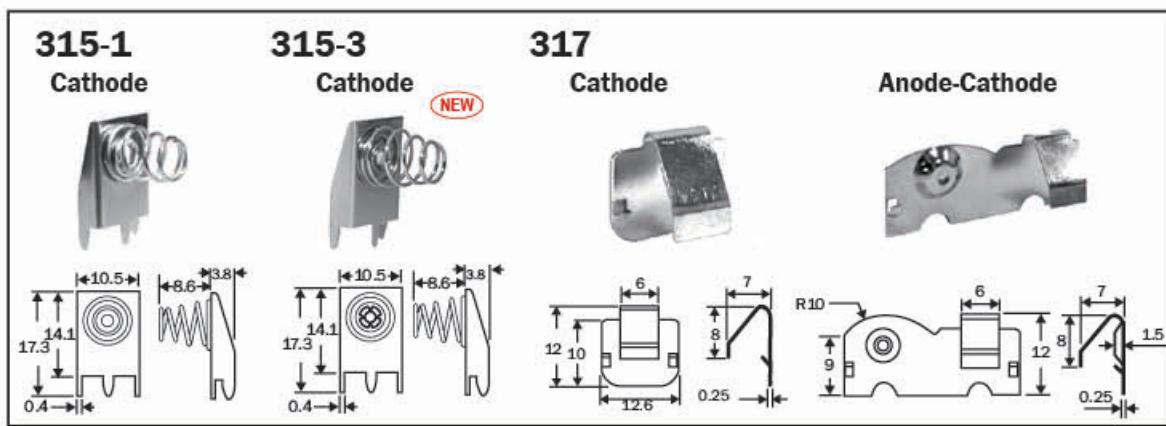
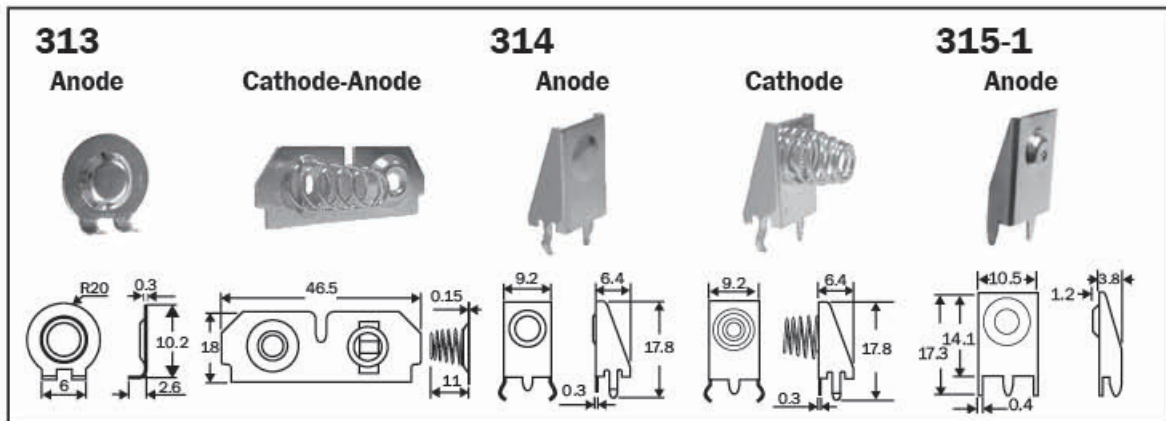
307 Cathode-Cathode	Double Anode-Cathode	Double Cathode-Anode
		
		

308	308-1
Anode	Cathode
	
	
308-1	308-1
Cathode-Cathode	Cathode
	
	

308-1	308-2	308-3
Cathode-Cathode NEW	Cathode NEW	Cathode NEW
		
		

309	310
Anode	Anode
	
	
309	310
Cathode	Anode-Cathode
	
	

311	311	311
Anode	Cathode-Anode NEW	Long-Cathode
		
		



401

Anode	Cathode	Long-Cathode	Anode-Cathode	Cathode-Anode

402

Anode	Anode-Cathode	402-1 Anode	402-1 Anode-Cathode

402-2

Anode	Anode-Cathode	402-3 Anode	402-3 Anode-Cathode NEW

403

Anode	Cathode	Anode-Cathode

404 Anode	Cathode	Cathode-Cathode	405 Anode

405 Cathode	406 Anode	Anode-Cathode	407 Cathode

407 Anode-Cathode	Cathode-Anode	Outside Anode	Outside Cathode

407-1 Anode NEW	407-2 Cathode NEW	Cathode-Long NEW

408		409		
Anode	Cathode	Anode	Cathode	Cathode-Anode

CR123A	BHC-2/3	9V
Anode/Cathode	Anode	Cathode

18650	18650-2
Anode/Cathode	Anode NEW
Pin Anode/Cathode	Pin Anode NEW

18650-2	18650-2	18650-2
Cathode NEW	Pin Cathode NEW	Anode-Cathode NEW

BH-3.6V

Anode/Cathode Pin2.5 Anode/Cathode **NEW** Pin5 Anode/Cathode

CR2032

Anode **NEW** Cathode **NEW** Anode-Cathode **NEW**

Big Contact Small Contact Long Contact P2 Contact Pin14 Contact Pin24 Contact

Female Contact (6 Prong) Male Contact Female Contact (4 Prong) Switch Metal Switch (big) Metal Switch (small)

Rivet

5x2.4x4 5x2.4x5 5x2.5x3.8 4x2.4x4 7x4x4.5 7x4x5 7x4x7 8x2.4x4

Contact Hook (0.8) Hook (0.8x40) Hook (0.8x19) Hook (0.8x17) Hook (0.8x33) Hook (0.8x31)

LEAD WIRE TERMINAL CONNECTOR



WIRE HARNESS

ASSEMBLY MANUFACTURING

With years of experience as a leading wire harness manufacturer, COMF owns and operates manufacturing facilities in China to manufacture our customer's products. We commit to understanding our customers' expectations, and meeting those expectations by performing the correct tasks, defect free, on time, every time.



Full Automatic Terminal Crimping machine



Full Automatic Terminal Crimping machine (Double Head)



Full Automatic Crimping Machine



Automatic Soldering Machine



Electric Test



Terminal Cross Section Analyzer



Comfortable Electronic Co., Ltd. (COMF) specializes in the production of Battery Holder, Battery Snaps and Plastic Injection Molding. Over the years, COMF has actively extended our product offering to include Coin Cell Holder, Battery Clips, Battery Contacts and Wire Assemblies. Always aiming to meet the client's need, COMF offers the best solution for design, development and production.



Patents:

- Enclosed Battery Holder
- Cylindrical Terminal Rivet and Battery Snap
- Charger with Replaceable Signal Line for a Car
- USB Power Pack and Charger
- Battery Case Having Retaining Function
- Waterproof Battery Case
- Battery Case and Electrode Plate Set for Use in the Same



Taiwan Office:

COMFORTABLE ELECTRONIC CO., LTD.
 3F No.142 Li-Teh Street,
 Chung Ho Dist., New Taipei City,
 23512, Taiwan.
常利興業股份有限公司
 23512新北市中和區
 立德街142號3樓
TEL: +886-2-3234-7735
FAX: +886-2-3234-7739
[http:// www.comf.com.tw](http://www.comf.com.tw)
E-mail:sales@comf.com.tw

Hong Kong Office:

COMF COMPANY
 11/15F, Metro Centre1,
 No.32 Lam Hing St.,
 Kowloon Bay, Hong Kong.
常利貿易(H.K)有限公司
 香港九龍灣臨興街32號
 美羅中心1期15樓11室
TEL: +852-2770-5181
FAX: +852-2798-8129
[http:// www.comf-hk.com](http://www.comf-hk.com)
E-mail:sales@comf-hk.com

China Factory:

DONG GUAN EAGLE ELECTRONIC CO.,LTD.
東莞市英利電子有限公司
 廣東省東莞市石排鎮塘尾工商業
 開發區大馬路5號
TEL: +86-769-8665-2535
FAX: +86-769-8665-3700



X-ON Electronics

Largest Supplier of Electrical and Electronic Components

Click to view similar products for [Coin Cell Battery Holders](#) category:

Click to view products by [Comf](#) manufacturer:

Other Similar products are found below :

[9-1066-GF](#) [PDSN-11-D](#) [799-2007](#) [BH44AAB](#) [BH48DL](#) [BH8000](#) [GT-CR1632-1Au](#) [3035](#) [103](#) [1063](#) [1065](#) [46400000](#) [BC-0403](#) [BH-121-1B](#)
[BH-1/2AA-2A](#) [BH-131A](#) [BH-3101A](#) [BH-3103B](#) [BH-311-1A](#) [BH-311-1D](#) [BH-321-1A](#) [BH-321-1B](#) [BH-321-1D](#) [BH-331-3D](#) [BH-331P](#) [BH-](#)
[333A](#) [BH-341-1P](#) [BH-342-1A](#) [BH-351A](#) [BH-362B](#) [BH-383A](#) [BH-421A](#) [BH-422A](#) [BH-425A](#) [BH-431-1B](#) [BH-463A](#) [BH-511A](#) [BHC-](#)
[18650-1P](#) [46300000](#) [46600000](#) [799-2001](#) [SBH-331A](#) [SBH-341-AS](#) [SBH-421-1A](#) [SBH-431-1AS](#) [SBH-441A](#) [SBH-9VA](#) [BH-121-1A](#) [BHC-](#)
[18650-1A](#) [SBH-421-1AS](#)