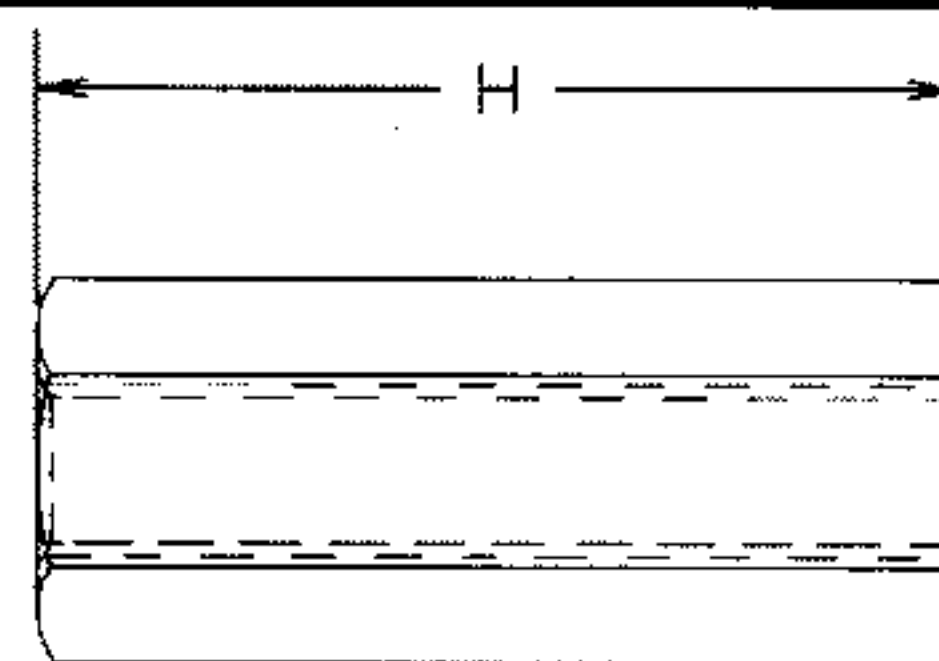
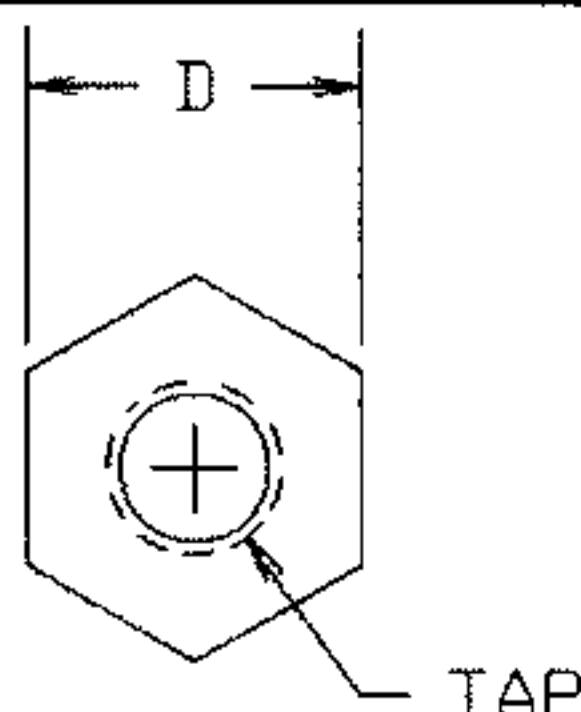


SPACERS

SPACER, THREADED, HEX 53X-9XXX-02 BRASS PER ASTM B16 63XA-9XXX-XX ALUMINUM PER ASTM B211

BASIC PART NO. FINISH



H	D	TAP	BRASS	ALUMINUM	H	D	TAP	BRASS	ALUMINUM
.188	.156	2-56	532-9203	632A-9203	.125	.250	6-32	535-9602	635A-9602
.250	.156	2-56	532-9204	632A-9204	.188	.250	6-32	535-9603	635A-9603
.312	.156	2-56	532-9205	632A-9205	.250	.250	6-32	535-9604	635A-9604
.375	.156	2-56	532-9206	632A-9206	.312	.250	6-32	535-9605	635A-9605
.437	.156	2-56	532-9207	632A-9207	.375	.250	6-32	535-9606	635A-9606
.500	.156	2-56	532-9208	632A-9208	.437	.250	6-32	535-9607	635A-9607
.125	.188	2-56	534-9202	634A-9202	.500	.250	6-32	535-9608	635A-9608
.188	.188	2-56	534-9203	634A-9203	.562	.250	6-32	535-9609	635A-9609
.250	.188	2-56	534-9204	634A-9204	.625	.250	6-32	535-9610	635A-9610
.312	.188	2-56	534-9205	634A-9205	.687	.250	6-32	535-9611	635A-9611
.375	.188	2-56	534-9206	634A-9206	.750	.250	6-32	535-9612	635A-9612
.437	.188	2-56	534-9207	634A-9207	.812	.250	6-32	535-9613	635A-9613
.500	.188	2-56	534-9208	634A-9208	.875	.250	6-32	535-9614	635A-9614
.562	.188	2-56	534-9209	634A-9209	.937	.250	6-32	535-9615	635A-9615
.625	.188	2-56	534-9210	634A-9210	1.000	.250	6-32	535-9616	635A-9616
.687	.188	2-56	534-9211	634A-9211	1.125	.250	6-32	535-9618	635A-9618
.750	.188	2-56	534-9212	634A-9212	1.250	.250	6-32	535-9620	635A-9620
.812	.188	2-56	534-9213	634A-9213	1.375	.250	6-32	535-9622	635A-9622
.875	.188	2-56	534-9214	634A-9214	1.500	.250	6-32	535-9624	635A-9624
.937	.188	2-56	534-9215	634A-9215	1.625	.250	6-32	535-9626	635A-9626
1.000	.188	2-56	534-9216	634A-9216	1.750	.250	6-32	535-9628	635A-9628
.125	.188	4-40	534-9402	634A-9402	1.875	.250	6-32	535-9630	635A-9630
.188	.188	4-40	534-9403	634A-9403	2.000	.250	6-32	535-9632	635A-9632
.250	.188	4-40	534-9404	634A-9404	2.250	.250	6-32	535-9636	635A-9636
.312	.188	4-40	534-9405	634A-9405	2.500	.250	6-32	535-9640	635A-9640
.375	.188	4-40	534-9406	634A-9406	.125	.250	8-32	535-9802	635A-9802
.437	.188	4-40	534-9407	634A-9407	.188	.250	8-32	535-9803	635A-9803
.500	.188	4-40	534-9408	634A-9408	.250	.250	8-32	535-9804	635A-9804
.562	.188	4-40	534-9409	634A-9409	.312	.250	8-32	535-9805	635A-9805
.625	.188	4-40	534-9410	634A-9410	.375	.250	8-32	535-9806	635A-9806
.687	.188	4-40	534-9411	634A-9411	.437	.250	8-32	535-9807	635A-9807
.750	.188	4-40	534-9412	634A-9412	.500	.250	8-32	535-9808	635A-9808
.812	.188	4-40	534-9413	634A-9413	.562	.250	8-32	535-9809	635A-9809
.875	.188	4-40	534-9414	634A-9414	.625	.250	8-32	535-9810	635A-9810
.937	.188	4-40	534-9415	634A-9415	.687	.250	8-32	535-9811	635A-9811
1.000	.188	4-40	534-9416	634A-9416	.750	.250	8-32	535-9812	635A-9812
.125	.250	4-40	535-9402	635A-9402	.812	.250	8-32	535-9813	635A-9813
.188	.250	4-40	535-9403	635A-9403	.875	.250	8-32	535-9814	635A-9814
.250	.250	4-40	535-9404	635A-9404	.937	.250	8-32	535-9815	635A-9815
.312	.250	4-40	535-9405	635A-9405	1.000	.250	8-32	535-9816	635A-9816
.375	.250	4-40	535-9406	635A-9406	1.125	.250	8-32	535-9818	635A-9818
.437	.250	4-40	535-9407	635A-9407	1.250	.250	8-32	535-9820	635A-9820
.500	.250	4-40	535-9408	635A-9408	1.375	.250	8-32	535-9822	635A-9822
.562	.250	4-40	535-9409	635A-9409	1.500	.250	8-32	535-9824	635A-9824
.625	.250	4-40	535-9410	635A-9410	1.625	.250	8-32	535-9826	635A-9826
.687	.250	4-40	535-9411	635A-9411	1.750	.250	8-32	535-9828	635A-9828
.750	.250	4-40	535-9412	635A-9412	1.875	.250	8-32	535-9830	635A-9830
.812	.250	4-40	535-9413	635A-9413	2.000	.250	8-32	535-9832	635A-9832
.875	.250	4-40	535-9414	635A-9414	.250	.312	8-32	536-9804	636A-9804
.937	.250	4-40	535-9415	635A-9415	.375	.312	8-32	536-9806	636A-9806
1.000	.250	4-40	535-9416	635A-9416	.437	.312	8-32	536-9807	636A-9807
1.125	.250	4-40	535-9418	635A-9418	.500	.312	8-32	536-9808	636A-9808
1.250	.250	4-40	535-9420	635A-9420	.625	.312	8-32	536-9810	636A-9810
1.375	.250	4-40	535-9422	635A-9422	.750	.312	8-32	536-9812	636A-9812
1.500	.250	4-40	535-9424	635A-9424	.375	.375	8-32	537-9806	637A-9806
1.625	.250	4-40	535-9426	635A-9426	.500	.375	8-32	537-9808	637A-9808
1.750	.250	4-40	535-9428	635A-9428	.625	.375	8-32	537-9810	637A-9810
1.875	.250	4-40	535-9430	635A-9430	.750	.375	8-32	537-9812	637A-9812
2.000	.250	4-40	535-9432	635A-9432	1.000	.375	8-32	537-9816	637A-9816

• FOR BRASS PARTS, ADD -02 SUFFIX TO PART NUMBER FOR STANDARD NICKEL FINISH
• SPACERS OVER 1.000" LONG ARE TAPPED AT EACH END.

• FOR ALUMINUM PARTS, ADD -17 SUFFIX TO PART NUMBER FOR STANDARD NON-CHROMATE CLEAR PROTECTIVE COATING OR -16 FOR YELLOW IRRIDITE FINISH.

FOR ADDITIONAL SIZES AND MATERIALS, CONTACT FACTORY



X-ON Electronics

Largest Supplier of Electrical and Electronic Components

Click to view similar products for [Standoffs & Spacers](#) category:

Click to view products by [Concord](#) manufacturer:

Other Similar products are found below :

[M0513-3-N](#) [M0516-3-N](#) [M0517-3-N](#) [M0518-3-N](#) [M0521-3-N](#) [M0524-3-N](#) [M0532-35-AL](#) [M0532-35-N](#) [M0543-4-AL](#) [M0544-35-N](#) [M0544-3-N](#) [M0545-3-AL](#) [M0553-3-N](#) [M0564-4-N](#) [M0608-5-SS](#) [M0609-5-SS](#) [M0610-35-AL](#) [M0613-3-N](#) [M0651-5-SS](#) [M0653-35-N](#) [M0654-4-SS](#) [M0655-5-AL](#) [M0655-5-N](#) [M0660-4-AL](#) [M0660-4-N](#) [M0670-35-N](#) [M0671-5-N](#) [M0671-5-SS](#) [M0722-5-N](#) [M0725-6-N](#) [M0731-4-N](#) [M0904-B-25-AL](#) [M1273-2545-AL](#) [M1273-3005-AL](#) [M1303-3506-AL](#) [M1307-3506-AL](#) [M1313-3005-N](#) [M1313-4007-AL](#) [M1314-3005-AL](#) [M1314-3005-SS](#) [M1315-3005-SS](#) [M1315-4007-N](#) [M1317-3506-AL](#) [M1317-4007-SS](#) [M1318-3005-SS](#) [M1320-3005-AL](#) [M1320-3005-N](#) [M1321-3005-SS](#) [M1321-4007-AL](#) [M1322-4007-N](#)