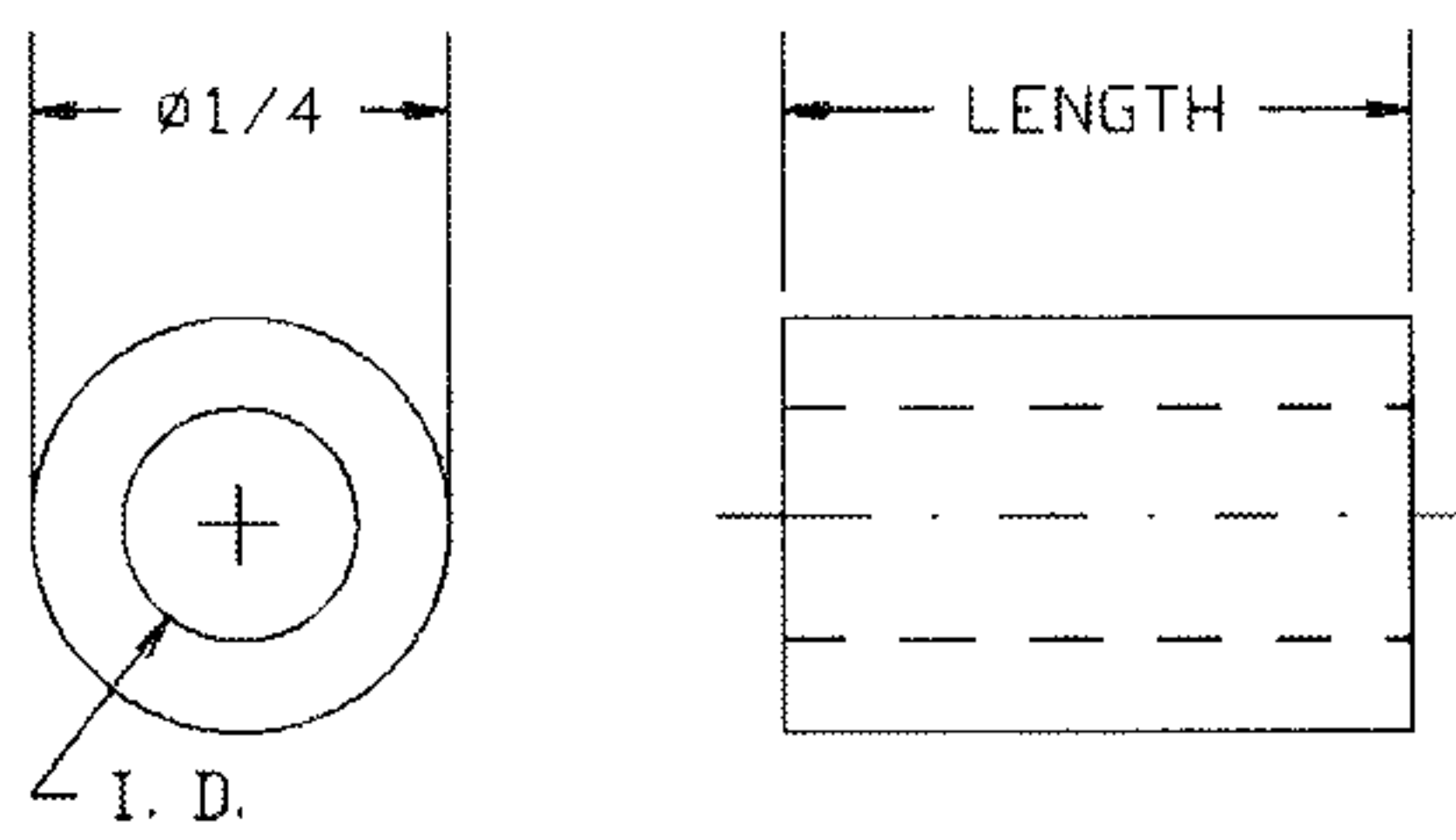


# HARDWARE

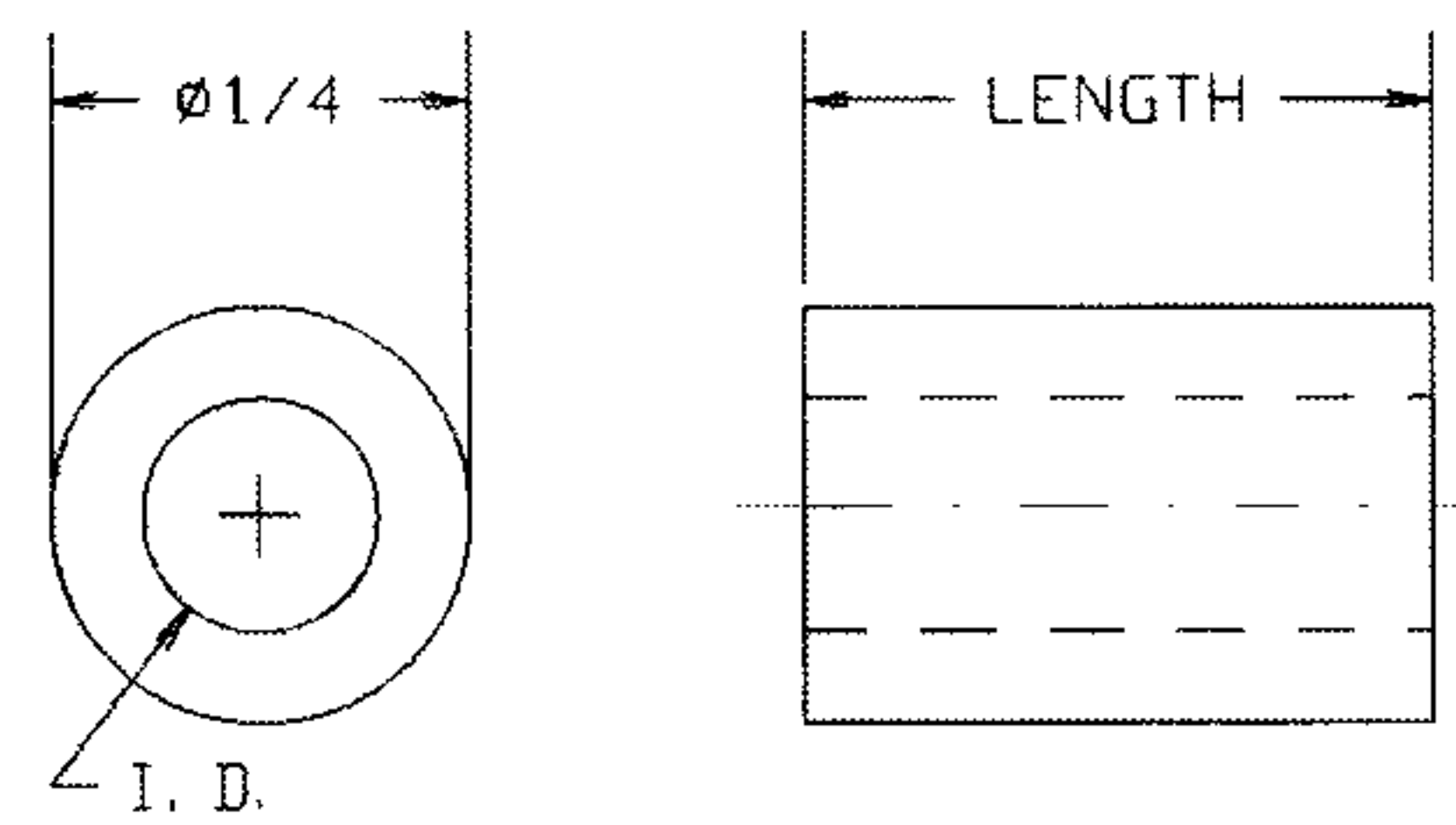
## CLEAR 1/4" ROUND FIBRE SPACERS

MATERIAL: Fibre per ASTM D710



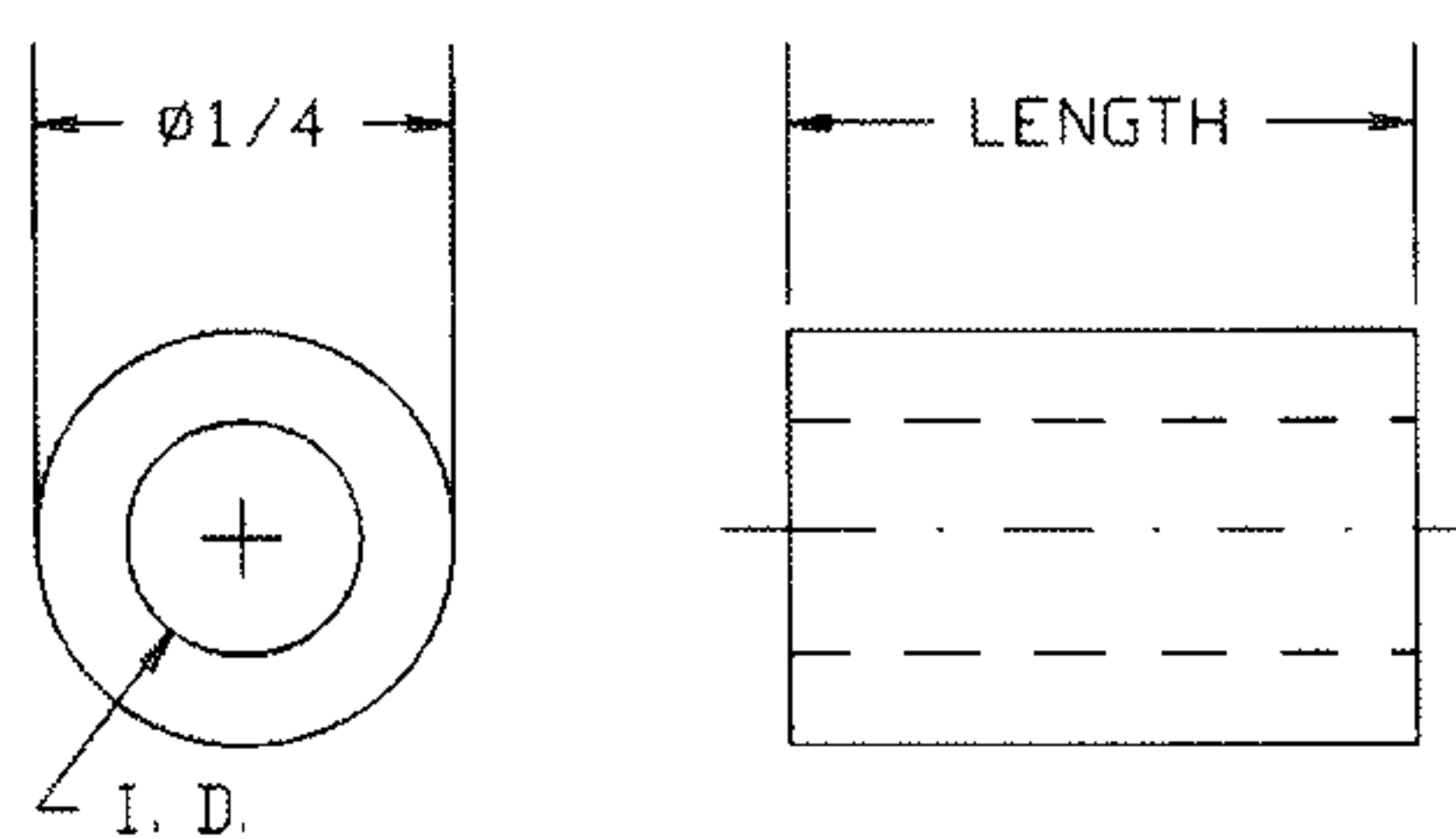
Clear Hole #4 (.115)	Clear Hole #6 (.140)	Clear Hole #8 (.171)	Length
750-1501	750-1502	750-1503	.125
750-1504	750-1505	750-1506	.187
750-1507	750-1508	750-1509	.250
750-1510	750-1511	750-1512	.312
750-1513	750-1514	750-1515	.375
750-1516	750-1517	750-1518	.437
750-1519	750-1520	750-1521	.500
750-1522	750-1523	750-1524	.562
750-1525	750-1526	750-1527	.625
750-1528	750-1529	750-1530	.687
750-1531	750-1532	750-1533	.750
750-1534	750-1535	750-1536	.812
750-1537	750-1538	750-1539	.875
750-1540	750-1541	750-1542	.937
750-1543	750-1544	750-1545	1.000

## CLEAR 1/4" ROUND PHENOLIC SPACERS



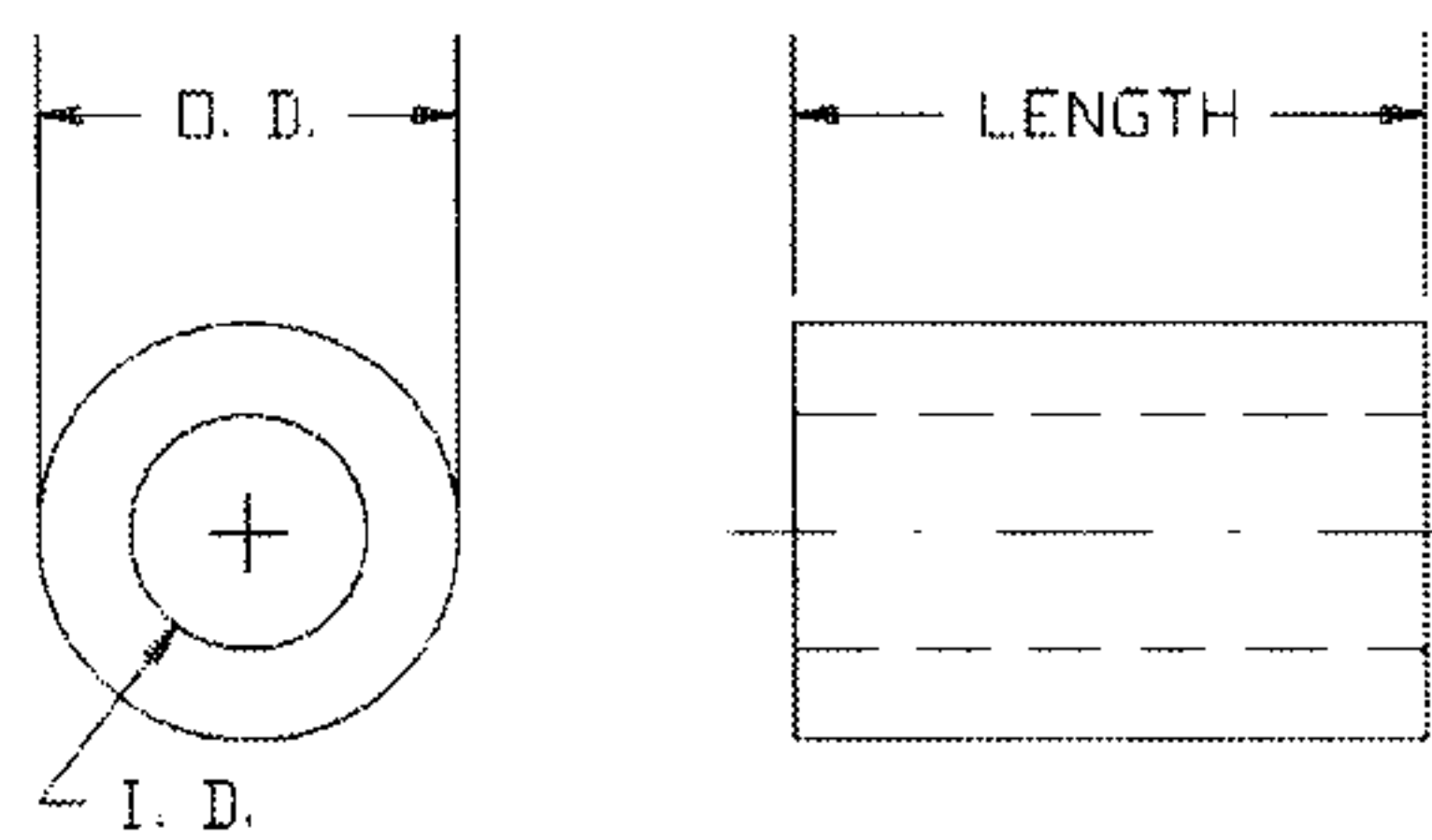
Clear Hole #4 (.115)	Clear Hole #6 (.140)	Clear Hole #8 (.171)	Length
750-1801	750-1802	750-1803	.125
750-1804	750-1805	750-1806	.187
750-1807	750-1808	750-1809	.250
750-1810	750-1811	750-1812	.312
750-1813	750-1814	750-1815	.375
750-1816	750-1817	750-1818	.437
750-1819	750-1820	750-1821	.500
750-1822	750-1823	750-1824	.562
750-1825	750-1826	750-1827	.625
750-1828	750-1829	750-1830	.687
750-1831	750-1832	750-1833	.750
750-1834	750-1835	750-1836	.812
750-1837	750-1838	750-1839	.875
750-1840	750-1841	750-1842	.937
750-1843	750-1844	750-1845	1.000

## CLEAR 1/4" ROUND PLASTIC SPACERS CPVC SELF EXTINGUISHING GRAY



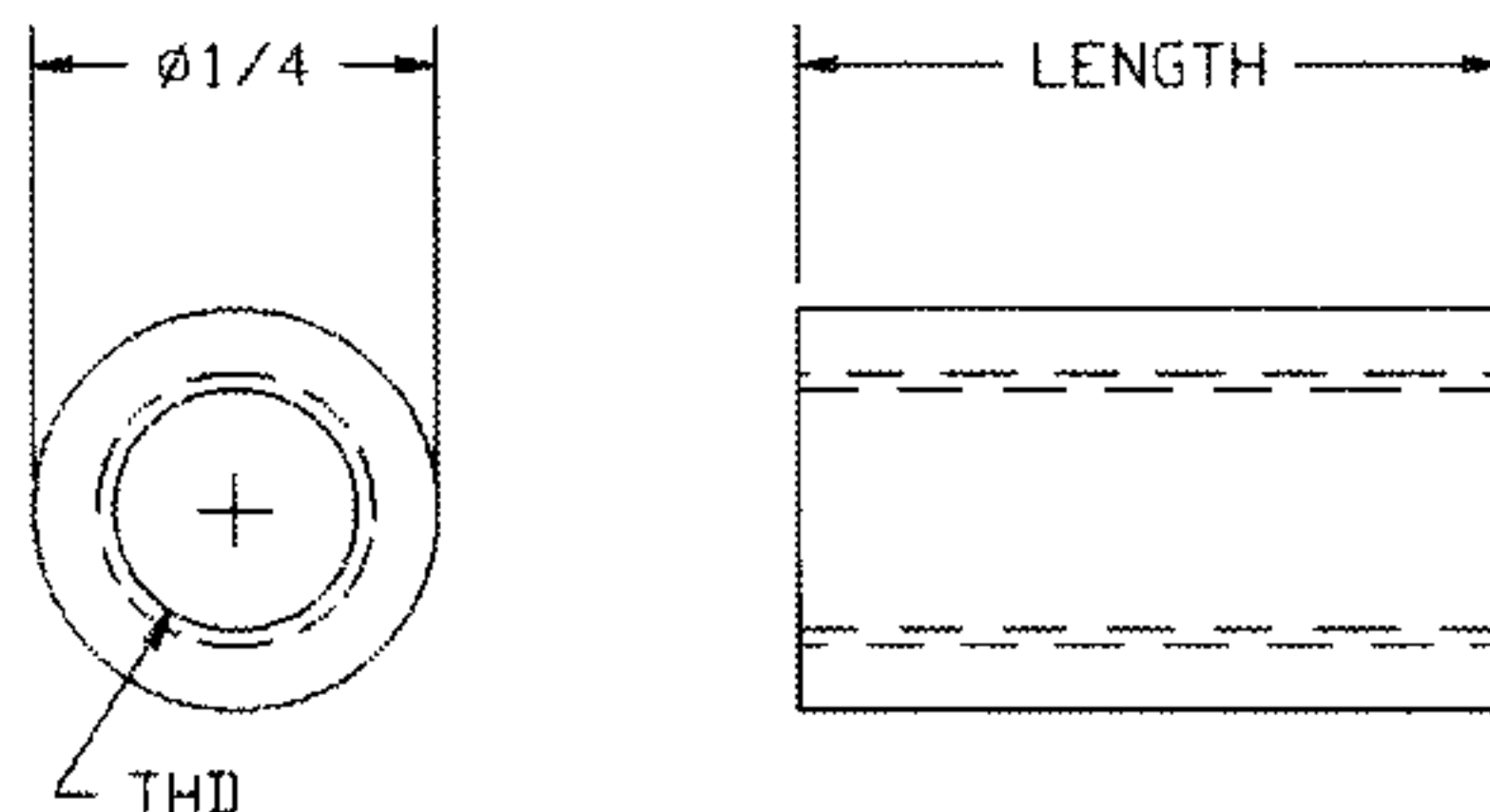
Clear Hole #4 (.115)	Clear Hole #6 (.140)	Clear Hole #8 (.170)	Length
750-1701	750-1702	750-1703	.250
750-1704	750-1705	750-1706	.375
750-1707	750-1708	750-1709	.500
750-1710	750-1711	750-1712	.625
750-1713	750-1714	750-1715	.750
750-1716	750-1717	750-1718	1.000

## NYLON SPACERS CLEAR



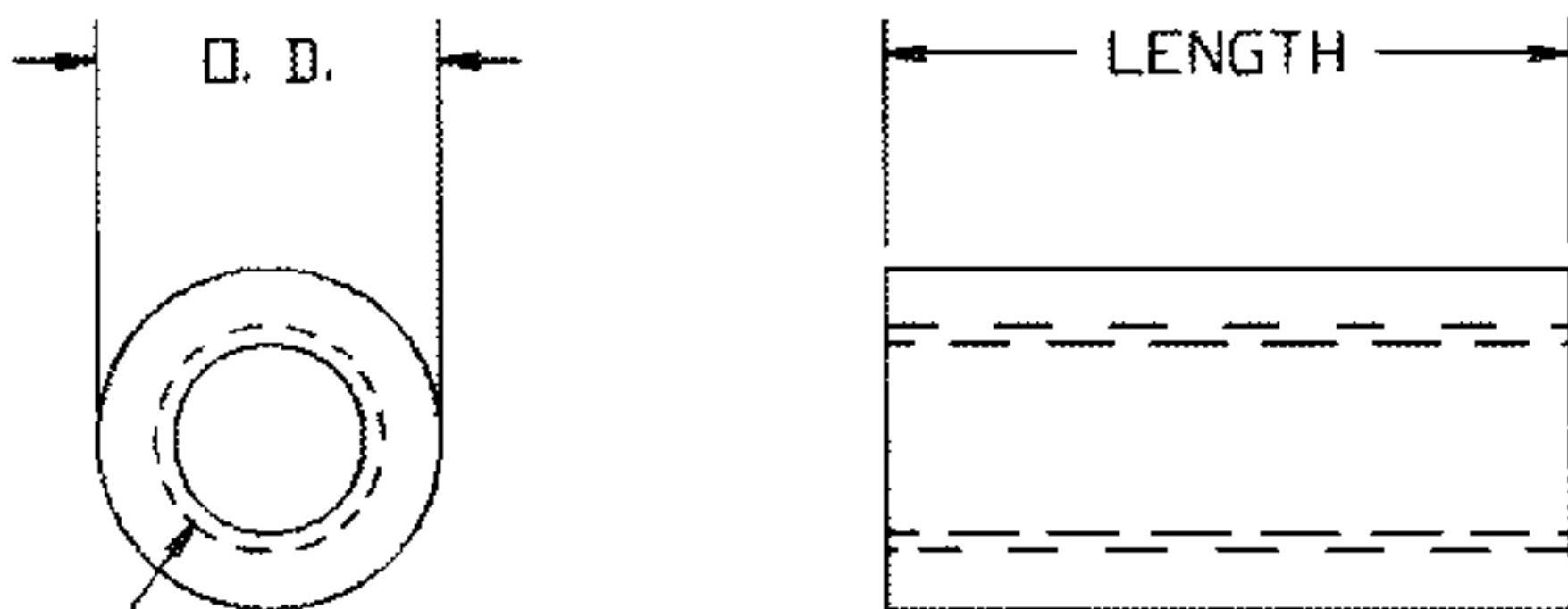
.091 I.D. #2 SCREW	.115 I.D. #4 SCREW	3/16 O.D. LENGTH	
750-1001	750-1016	.125	
750-1002	750-1017	.187	
750-1003	750-1018	.250	
750-1004	750-1019	.312	
750-1005	750-1020	.375	
750-1006	750-1021	.437	
750-1007	750-1022	.500	
750-1008	750-1023	.562	
750-1009	750-1024	.625	
750-1010	750-1025	.687	
750-1011	750-1026	.750	
750-1012	750-1027	.812	
750-1013	750-1028	.875	
750-1014	750-1029	.937	
750-1015	750-1030	1.000	
.115 I.D. #4 SCREW	.140 I.D. #6 SCREW	.171 I.D. #8 SCREW	1/4 O.D. LENGTH
750-1100	750-1101	750-1102	.125
750-1103	750-1104	750-1105	.187
750-1106	750-1107	750-1108	.250
750-1109	750-1110	750-1111	.312
750-1112	750-1113	750-1114	.375
750-1115	750-1116	750-1117	.437
750-1118	750-1119	750-1120	.500
750-1121	750-1122	750-1123	.562
750-1124	750-1125	750-1126	.625
750-1127	750-1128	750-1129	.687
750-1130	750-1131	750-1132	.750
750-1133	750-1134	750-1135	.812
750-1136	750-1137	750-1138	.875
750-1139	750-1140	750-1141	.937
750-1142	750-1143	750-1144	1.000

## THREADED 1/4" ROUND PHENOLIC SPACERS



4-40 THD	6-32 THD	8-32 THD	LENGTH
750-1601	750-1602	750-1603	.250
750-1604	750-1605	750-1606	.312
750-1607	750-1608	750-1609	.375
750-1610	750-1611	750-1612	.437
750-1613	750-1614	750-1615	.500
750-1616	750-1617	750-1618	.562
750-1619	750-1620	750-1621	.625
750-1622	750-1623	750-1624	.687
750-1625	750-1626	750-1627	.750
750-1628	750-1629	750-1630	.812
750-1631	750-1632	750-1633	.875
750-1634	750-1635	750-1636	.937
750-1637	750-1638	750-1639	1.000

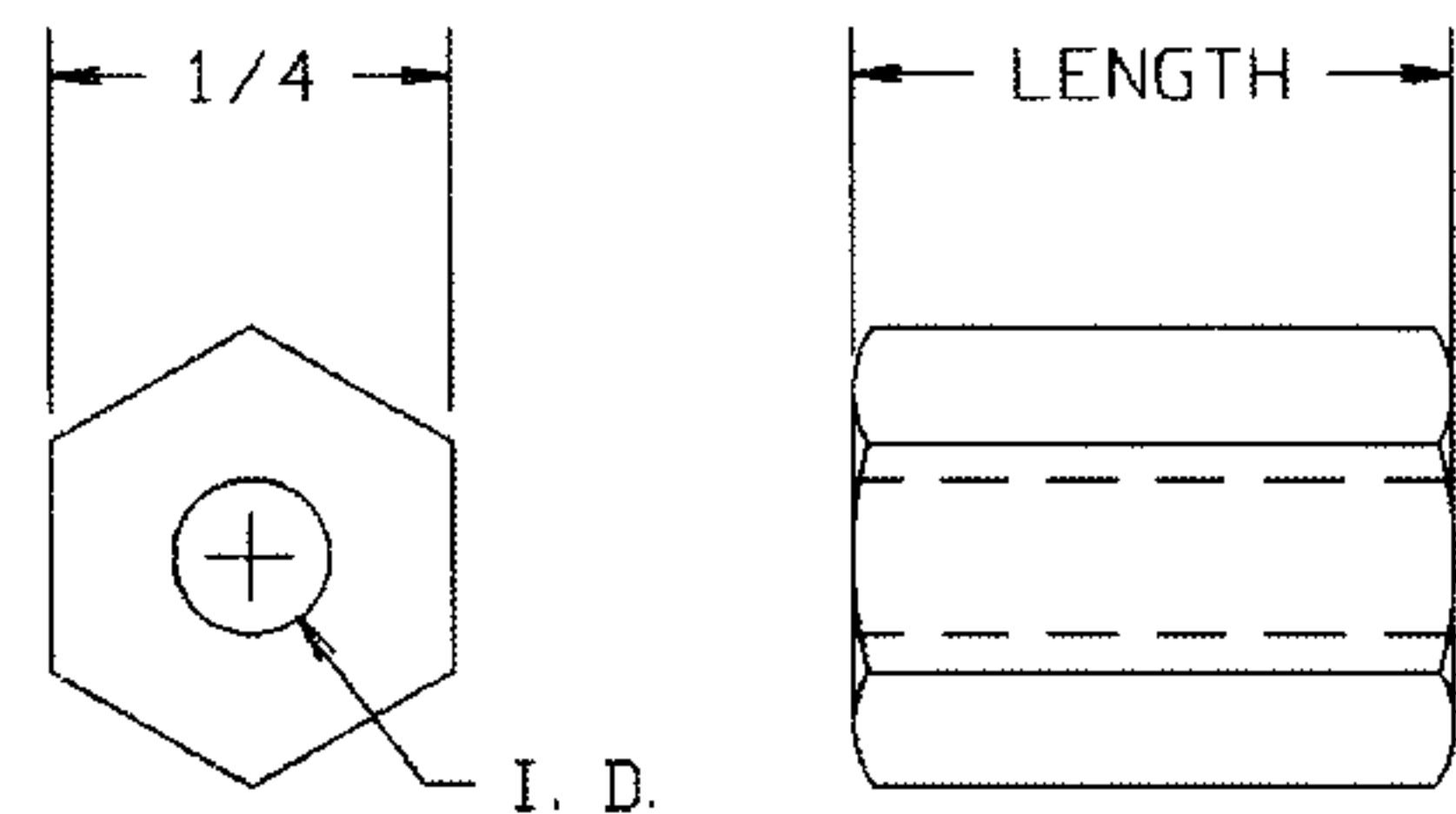
## 1/4" ROUND NYLON THREADED SPACERS



4-40 THD	6-32 THD	8-32 THD	LENGTH
750-1201	750-1202	750-1203	.250
750-1204	750-1205	750-1206	.375
750-1207	750-1208	750-1209	.500
750-1210	750-1211	750-1212	.750*
750-1213	750-1214	750-1215	1.000*

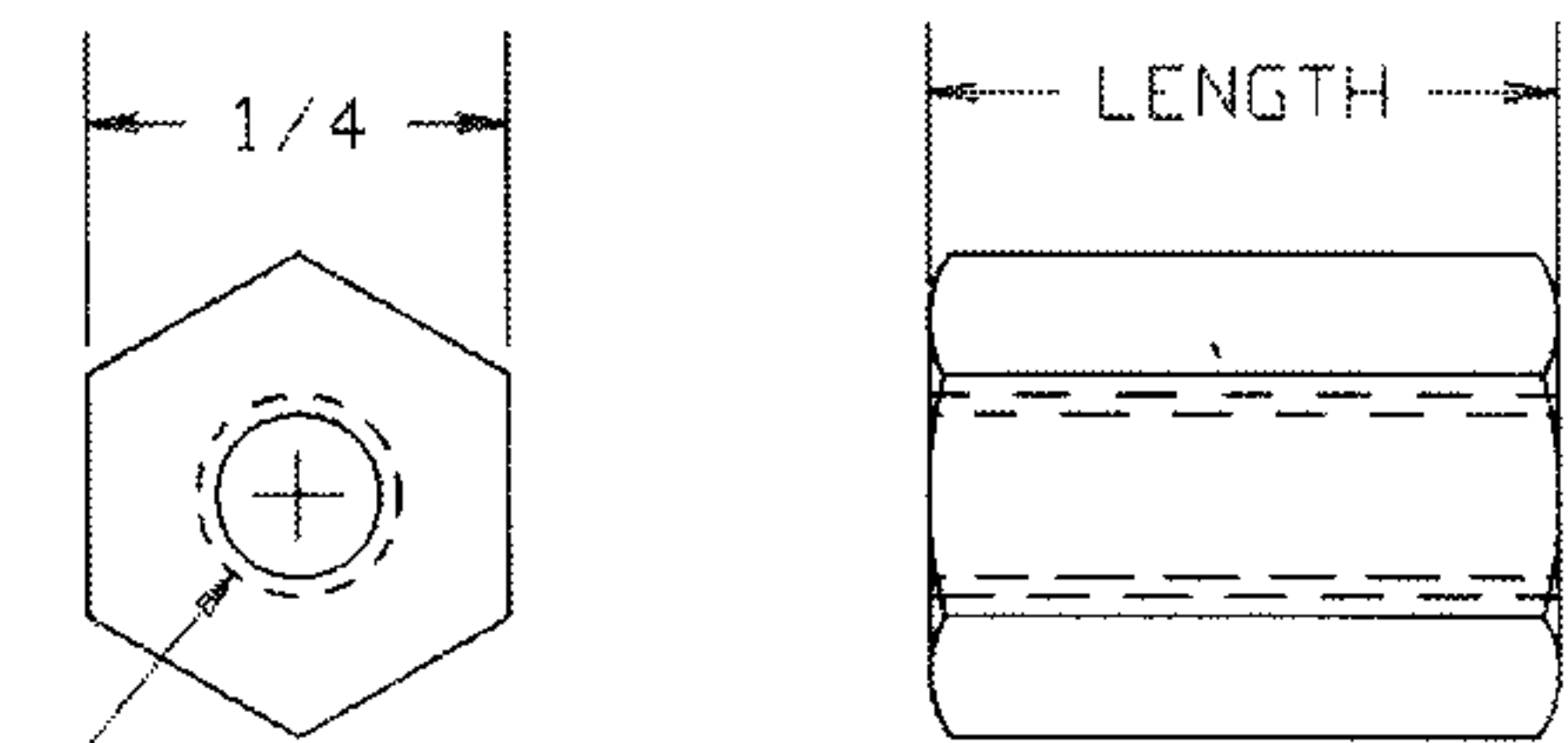
\*TAP IS 3/8" FROM EACH END AND NOT CONTINUOUS THROUGH

## 1/4" HEX NYLON SPACERS SELF TAPPING HOLE SIZE



#4 (.091)	#6 (.115)	#8 (.140)	Length
750-1301	750-1302	750-1303	.250
750-1304	750-1305	750-1306	.375
750-1307	750-1308	750-1309	.500
750-1310	750-1311	750-1312	.750
750-1313	750-1314	750-1315	.875
750-1316	750-1317	750-1318	1.000

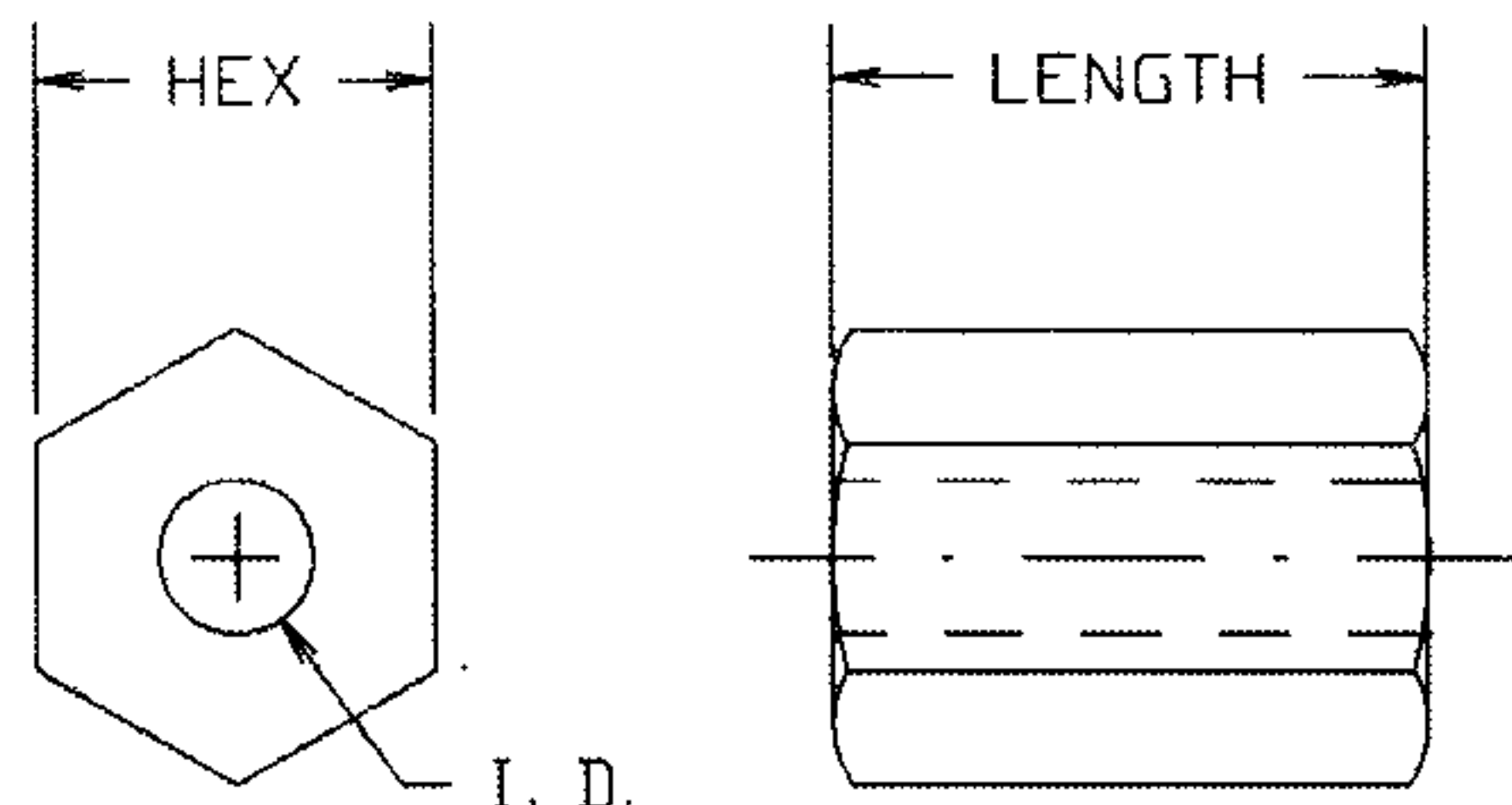
## THREADED HEX NYLON SPACERS



4-40 THD	6-32 THD	8-32 THD	Length
750-1401	750-1402	750-1403	.250
750-1404	750-1405	750-1406	.375
750-1407	750-1408	750-1409	.500
750-1419	750-1420	750-1422	.625
750-1410	750-1411	750-1412	.750*
750-1413	750-1414	750-1415	.875*
750-1416	750-1417	750-1418	1.000*

\*TAP IS 3/8" FROM EACH END AND NOT CONTINUOUS THROUGH

## HEX PLASTIC (SELF TAPPING)



CPVC GREY  
3/16 HEX X .092 I.D.  
(For #4 Self Tapping Screw)

PART NO.	LENGTH
750-1750	.375
750-1751	.500
750-1753	.625
750-1756	.750
750-1759	.875
750-1762	1.000

1/4 Hex x .110 I.D.  
(For #6 Self Tapping Screw)

PART NO.	LENGTH
750-1752	.500
750-1754	.625
750-1757	.750
750-1760	.875
750-1763	1.000

3/8 Hex x .141 I.D.  
(For #8 Self Tapping Screw)

PART NO.	LENGTH
750-1755	.625
750-1758	.750
750-1761	.875
750-1764	1.000

**MASTER CROSS REFERENCE  
OF OTHER MAJOR  
MANUFACTURERS  
AVAILABLE**

FOR ADDITIONAL SIZES AND MATERIAL, CONTACT FACTORY

800-847-4162 (Outside N.Y.S.)  
Ph: 212-777-6571 Fax: 212-991-0161  
sales@concord-electronics.com  
engineering@concord-electronics.com



## X-ON Electronics

Largest Supplier of Electrical and Electronic Components

*Click to view similar products for [Circular MIL Spec Connector](#) category:*

*Click to view products by [Concord](#) manufacturer:*

Other Similar products are found below :

[89075GULPR](#) [0025-262-542](#) [0025-264-3014](#) [58-570121-04S](#) [0134-213-1208](#) [0134-213-2209](#) [0025-258-000](#) [60-042022-07P](#) [60-042022-19P](#)  
[60-042022-23P](#) [60-042217-10P](#) [0114-201-1278](#) [012-0467-000](#) [602GB06EG24-61SN](#) [0134-201-1207](#) [0134-213-1006](#) [6104-207-2302](#) [6104-](#)  
[208-1902](#) [61-168211-04P](#) [61-168617-10P](#) [6131-202-19149P](#) [6131-204-21149P](#) [6131-208-13149P](#) [6131-209-17149P](#) [6131-210-11149P](#) [6131-](#)  
[211-19149P](#) [6131-216-19149P](#) [6131-259-21149P](#) [6131-259-23149P](#) [6131-265-17149P](#) [6131-265-19149P](#) [CS3100A18-1P-472](#) [CS3100A-36-](#)  
[77P](#) [CS3101A-16-55P](#) [CS3102A-10SL-55P](#) [CS3102A-14S-58P](#) [CS3102A-32-17P](#) [CS3102A32-25S](#) [CS3102C18-4P-472](#)  
[CS3106A10SL3S004](#) [CS3106A-18-73S](#) [CS3108A-14S-52S](#) [CS3108A-28-51S](#) [6162-233-1277](#) [6162-324-1231](#) [M243082296Z](#)  
[M2884010AC1S1](#) [CT0-24-10SC](#) [CT0M20-7PCAU](#) [M28840/17AC1G3](#)