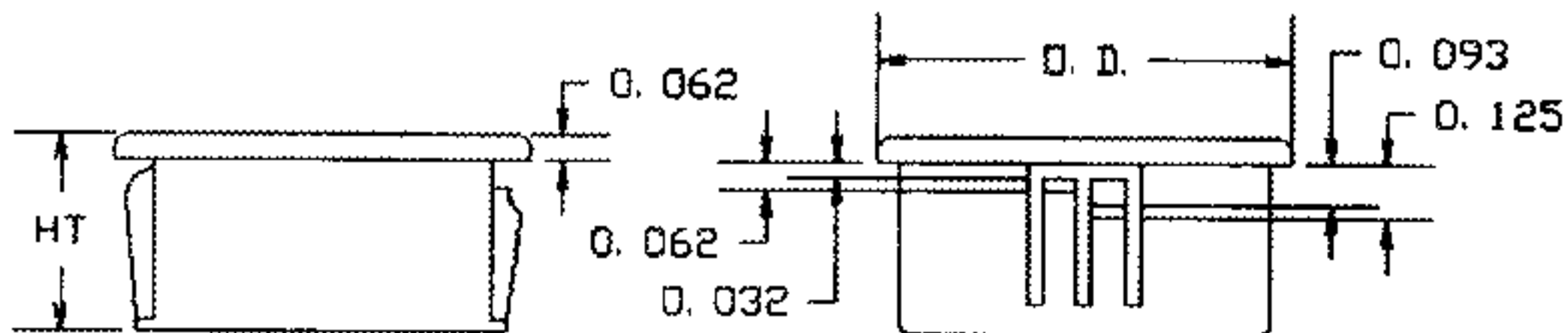
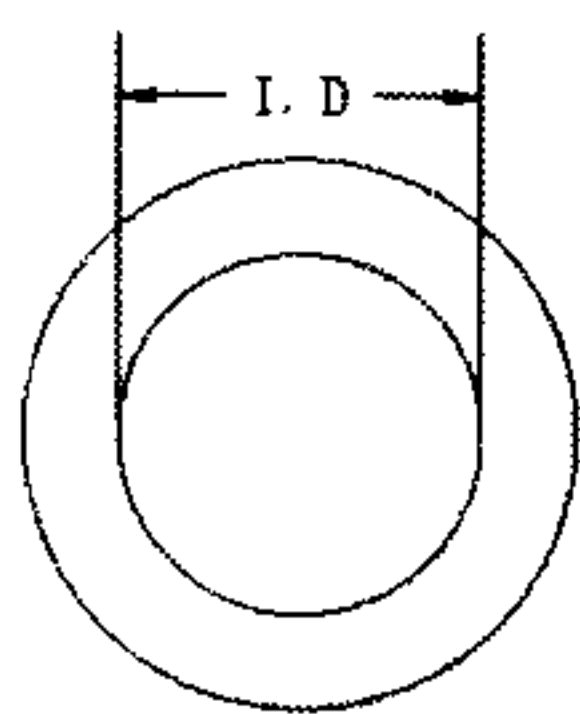
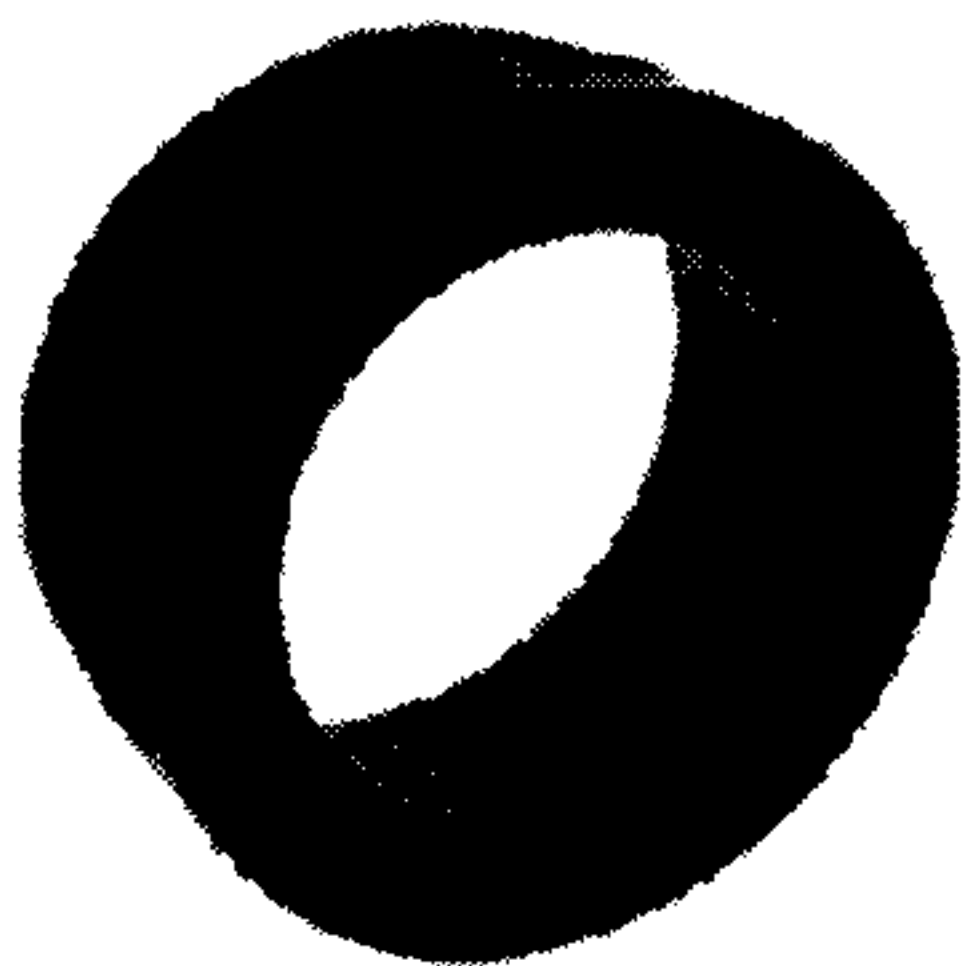


HARDWARE

NYLON PANEL BUSHINGS - SNAP MOUNT

This bushing provides protection to wire, cable and tubing against damage caused by the sharp edges of panel holes. The snap in design allows installation with finger tip pressure.

MATERIAL: Nylon 6/6
STANDARD COLOR: Black
CHASSIS THICKNESS: 1/32 Min.
1/8 Max.

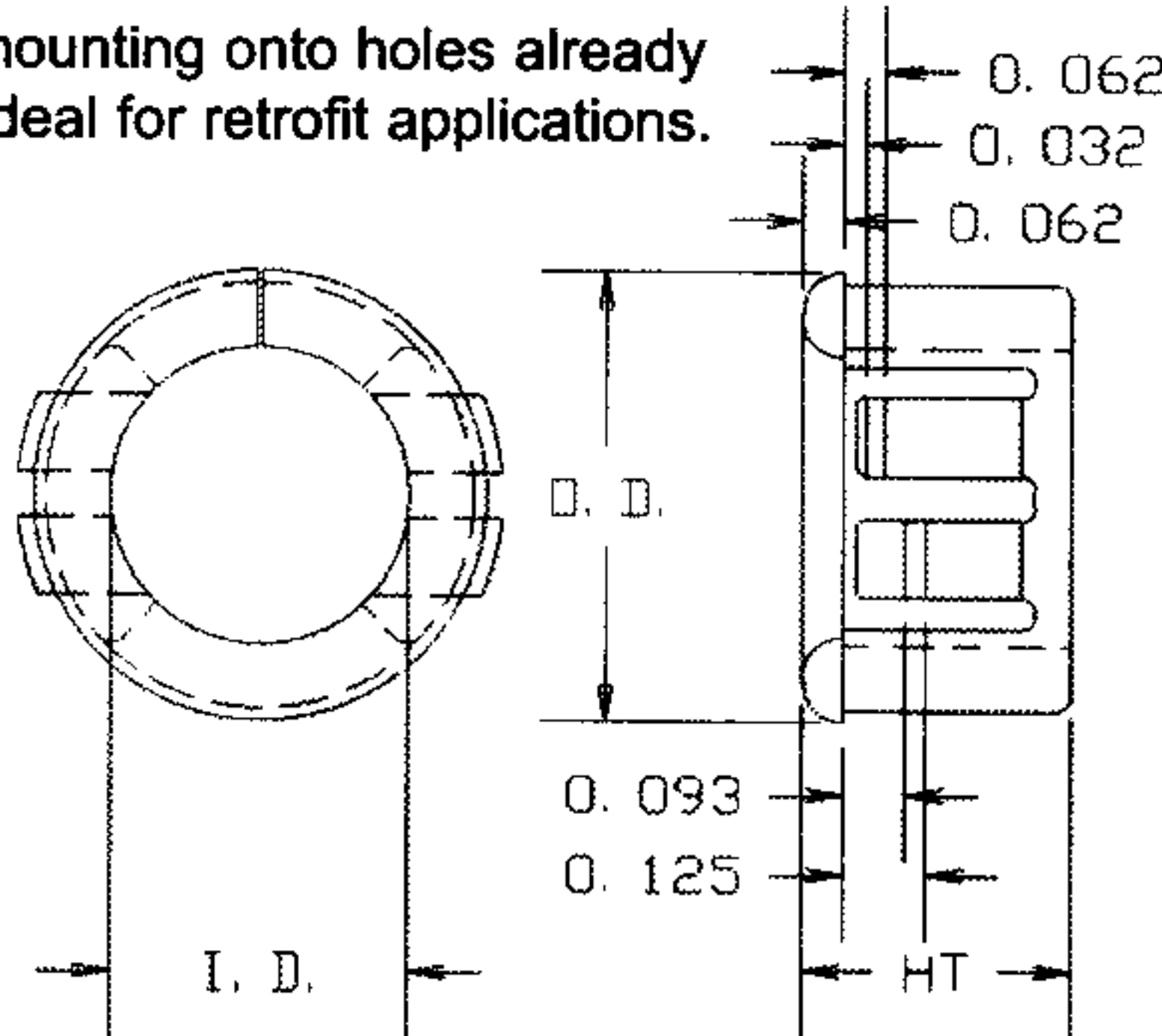
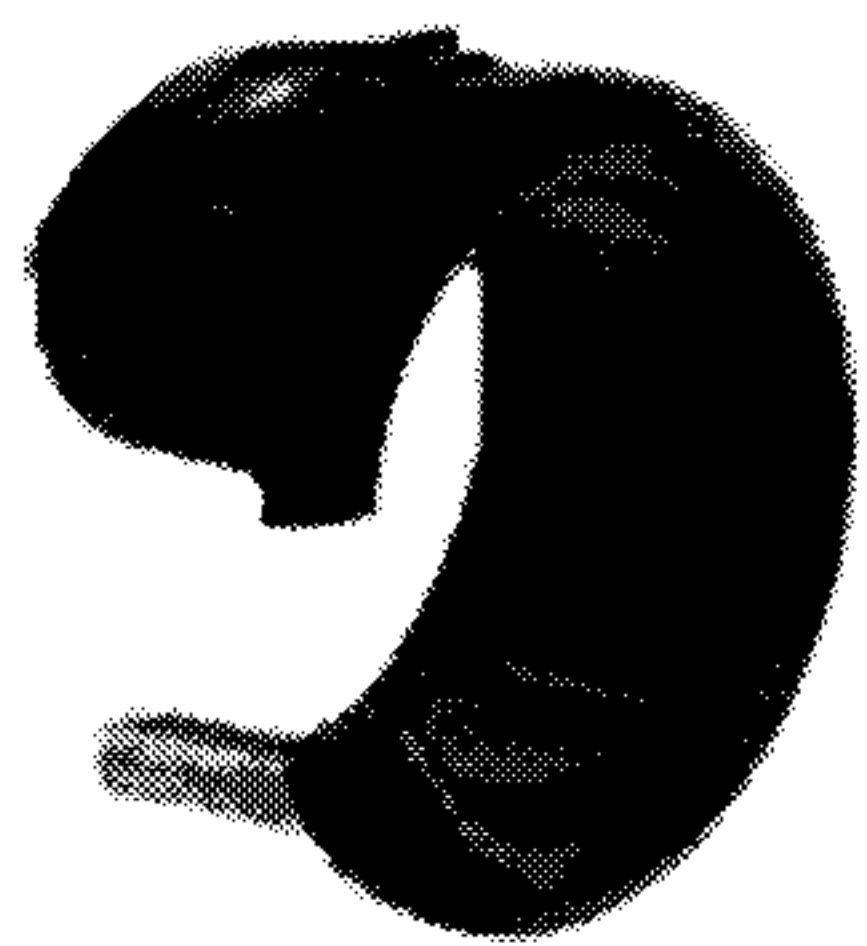


PART NO.	MOUNTING HOLE SIZE	MAXIMUM CHASSIS THICKNESS	I.D. INSIDE DIA.	O.D. HEAD DIA.	HT OVERALL HEIGHT
760-3401	.250	.062	.125	.312	.312
760-3402	.312	.062	.187	.375	.312
760-3403	.375	.125	.250	.468	.406
760-3404	.437	.125	.312	.531	.406
760-3405	.500	.125	.375	.578	.406
760-3406	.562	.125	.437	.656	.406
760-3407	.625	.125	.500	.718	.406
760-3408	.750	.125	.562	.843	.406
760-3409	.875	.125	.625	.953	.453
760-3410	1.000	.125	.750	1.125	.453
760-3411	1.187	.125	.937	1.312	.453
760-3412	1.250	.125	.937	1.359	.453
760-3413	1.375	.125	1.000	1.468	.453
760-3414	1.500	.125	1.062	1.609	.453
760-3415	1.750	.125	1.375	1.875	.453
760-3416	2.000	.125	1.625	2.125	.453
760-3417	2.500	.250	1.968	2.656	.718

NYLON SPLIT PANEL BUSHING - SNAP MOUNT

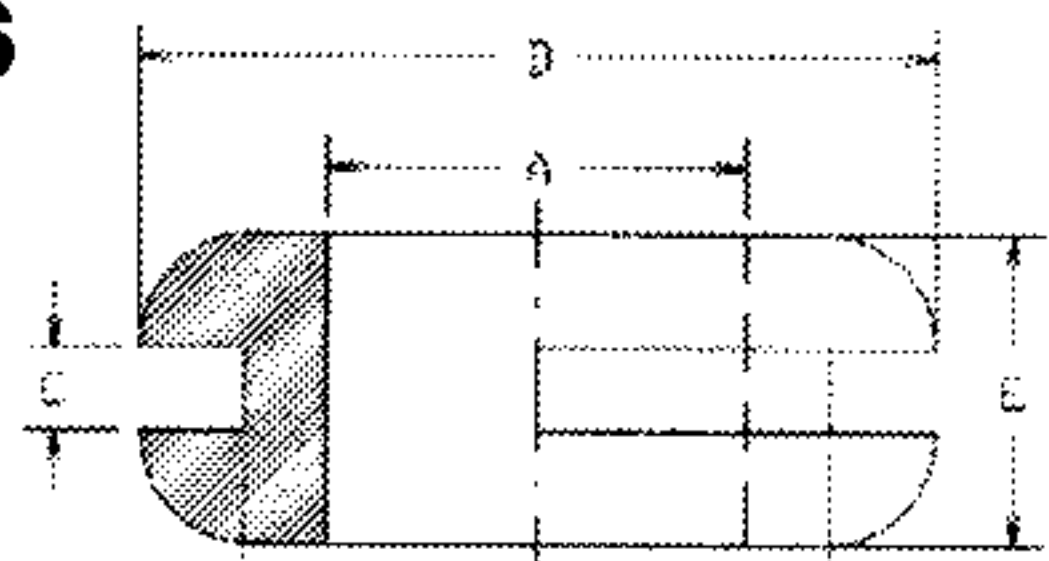
The split design permits mounting onto holes already containing wire or cable. Ideal for retrofit applications.

MATERIAL: Nylon 6/6
STANDARD COLOR: Black
CHASSIS THICKNESS: 1/32 Min.
1/8 Max.



PART NO.	MOUNTING HOLE SIZE	I.D. INSIDE DIA.	O.D. HEAD DIA.	HT OVERALL HEIGHT
760-3425	.375	.265	.421	.390
760-3426	.500	.312	.562	.406
760-3427	.562	.390	.640	.406
760-3428	.625	.453	.687	.406
760-3429	.750	.546	.796	.406
760-3430	.875	.671	.921	.406
760-3431	1.000	.796	1.062	.406

GROMMETS



RUBBER GROMMETS

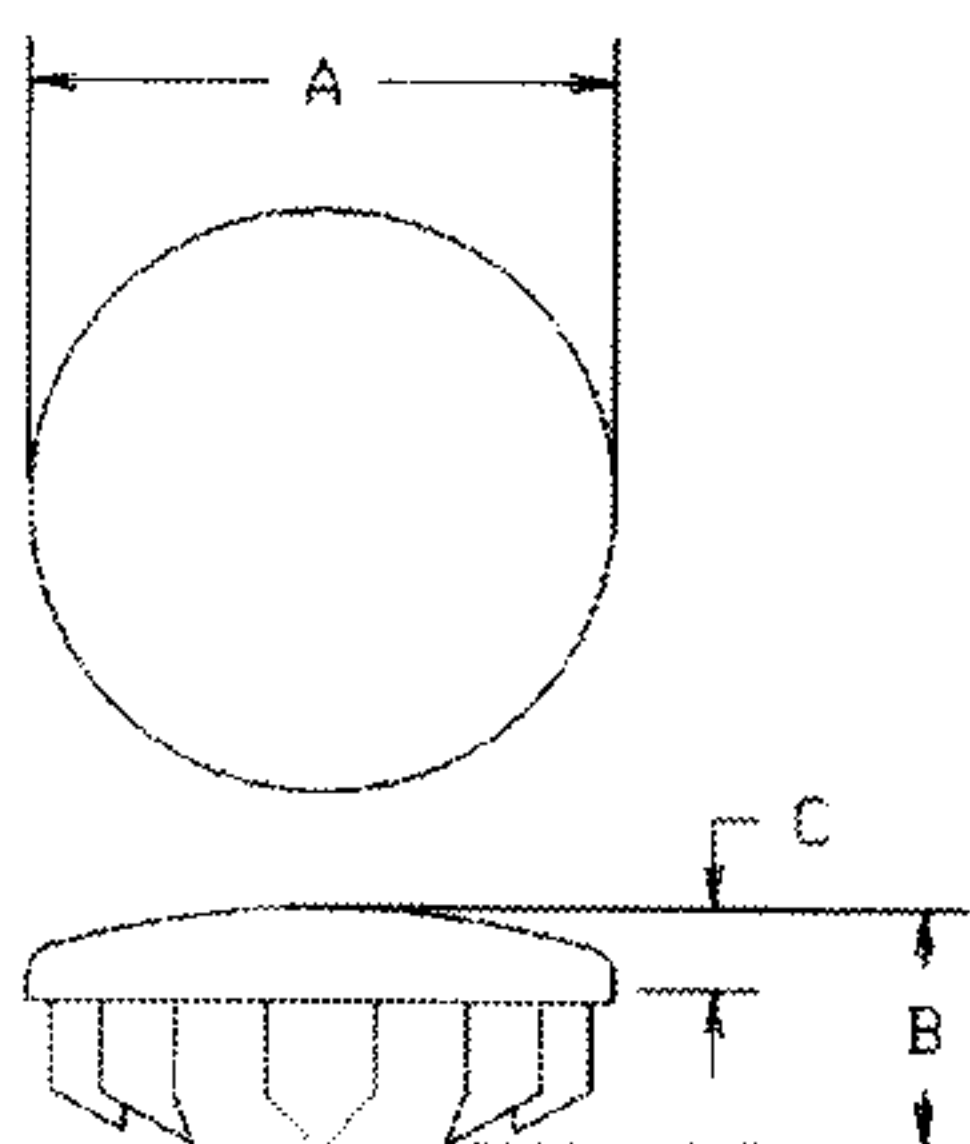
PART NO.	A	B	C	D	E
760-3001	1/8	3/16	1/16	5/16	3/16
760-3059	1/8	1/4	1/16	11/32	3/16
760-3011	1/8	7/16	1/16	5/8	3/16
760-3012	1/8	3/8	3/32	1/2	5/16
760-3002	3/16	5/16	1/16	7/16	3/16
760-3053	3/16	7/16	1/8	9/16	3/8
760-3013	3/16	9/32	3/32	7/16	7/32
760-3066	1/4	11/32	1/32	1/2	5/32
760-3014	1/4	7/16	1/16	5/8	3/16
760-3015	1/4	3/8	3/32	1/2	1/4
760-3052	9/32	11/32	5/32	5/8	5/16
760-3003	9/32	3/8	1/16	9/16	1/4
760-3004	5/16	7/16	1/16	19/32	15/64
760-3016	5/16	9/16	1/16	13/16	5/16
760-3017	5/16	7/16	3/32	5/8	5/16
760-3061	5/16	7/16	1/8	19/32	3/8
760-3060	5/16	1/2	1/8	3/4	3/8
760-3054	5/16	1/2	3/16	5/8	1/2
760-3055	3/8	7/16	3/32	5/8	9/32
760-3005	3/8	1/2	1/16	5/8	1/4
760-3018	3/8	5/8	1/16	7/8	5/16
760-3051	3/8	1/2	3/32	13/16	3/8
760-3057	3/8	11/16	9/64	7/8-1	13/32
760-3006	7/16	9/16	1/16	3/4	1/4
760-3019	7/16	11/16	1/16	15/16	5/16
760-3007	1/2	3/4	1/16	7/8	1/4
760-3020	1/2	13/16	1/16	1-1/16	5/16
760-3021	1/2	1-1/4	1/16	1-1/2	1/4
760-3022	1/2	3/4	3/32	7/8	11/32
760-3008	9/16	3/4	1/16	1	5/16
760-3009	5/8	7/8	1/16	1-1/8	5/16
760-3023	5/8	1-1/4	1/16	1-1/2	1/4
760-3010	3/4	7/8	1/16	1-1/8	5/16
760-3024	3/4	1-1/16	1/16	1-3/8	3/8
760-3025	3/4	1-7/16	1/16	1-13/16	3/8
760-3058	49/64	1-3/32	1/16	1-5/8	5/16
760-3026	7/8	1-1/4	1/16	1-5/8	7/16

VINYL GROMMETS

PART NO.	A	B	C	D	E
770-7185	1/8	.19	1/16	5/16	1/4
760-3101	1/8	1/4	1/16	11/32	3/16
770-7186	5/32	.25	1/16	3/8	1/4
770-7187	3/16	.31	1/32	7/16	3/16
760-3102	3/16	5/16	1/16	7/16	7/32
770-7188	7/32	.31	1/16	7/16	7/32
770-7190	5/16	.44	1/16	9/16	3/16
760-3103	1/4	3/8	1/16	9/16	1/4
770-7189	1/4	.37	3/32	9/16	9/32
760-3104	3/8	1/2	1/16	5/8	1/4
770-7191	3/8	.49	1/16	43/64	9/32
760-3105	1/2	5/8	1/16	13/16	9/32
770-7193	9/16	.69	1/16	55/64	3/16
770-7194	5/8	.75	1/16	55/64	7/32
770-7192	1/2	.69	1/16	55/64	1/4
770-7195	11/16	.75	1/16	15/16	3/16
770-7198	31/32	1.25	1/16	1-1/2	19/64
770-7196	47/64	.99	1/16	1-15/16	5/16
770-7197	55/64	1	1/16	1-3/16	5/16

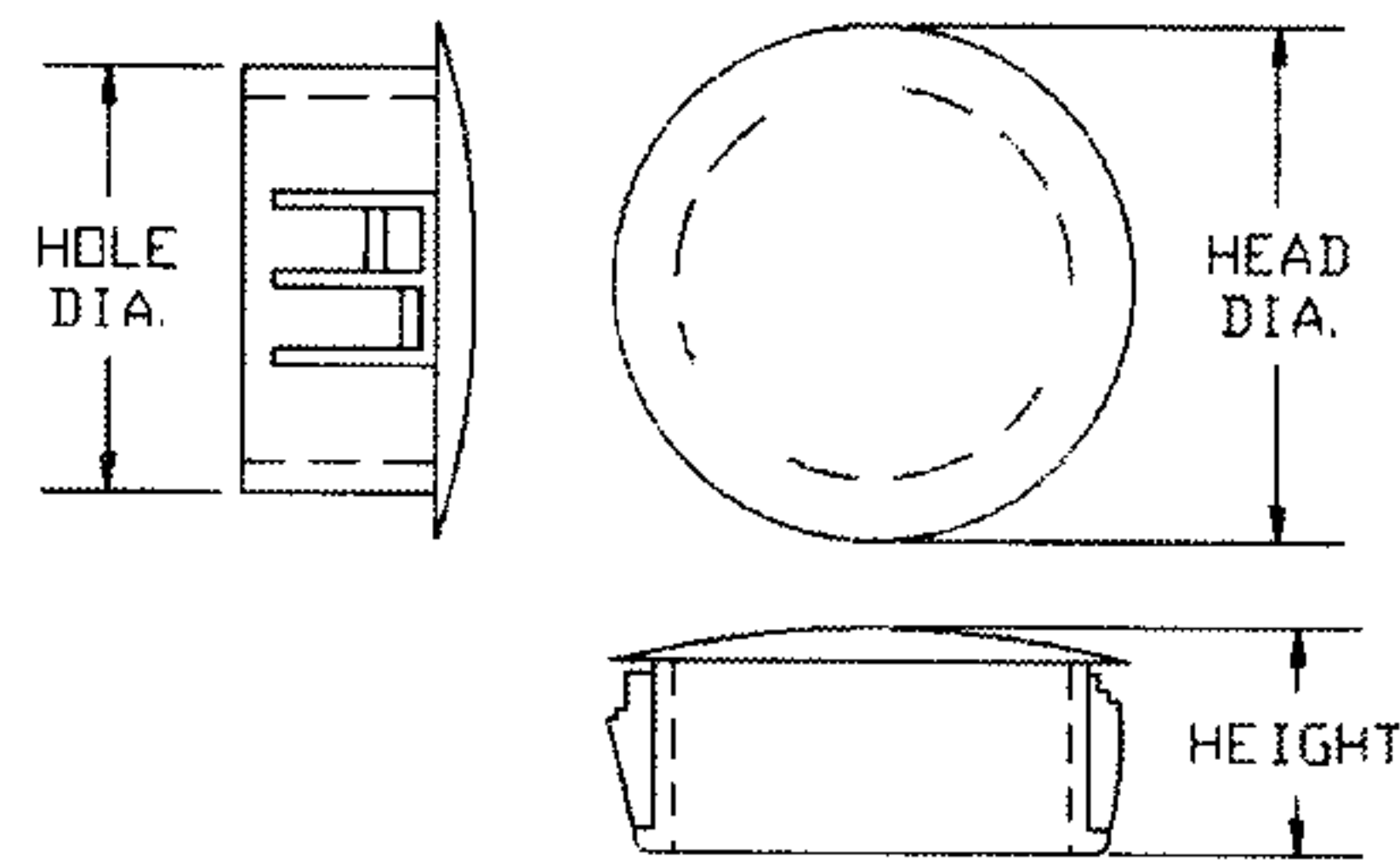
HOLE PLUGS

HOLE PLUG - PLATED STEEL



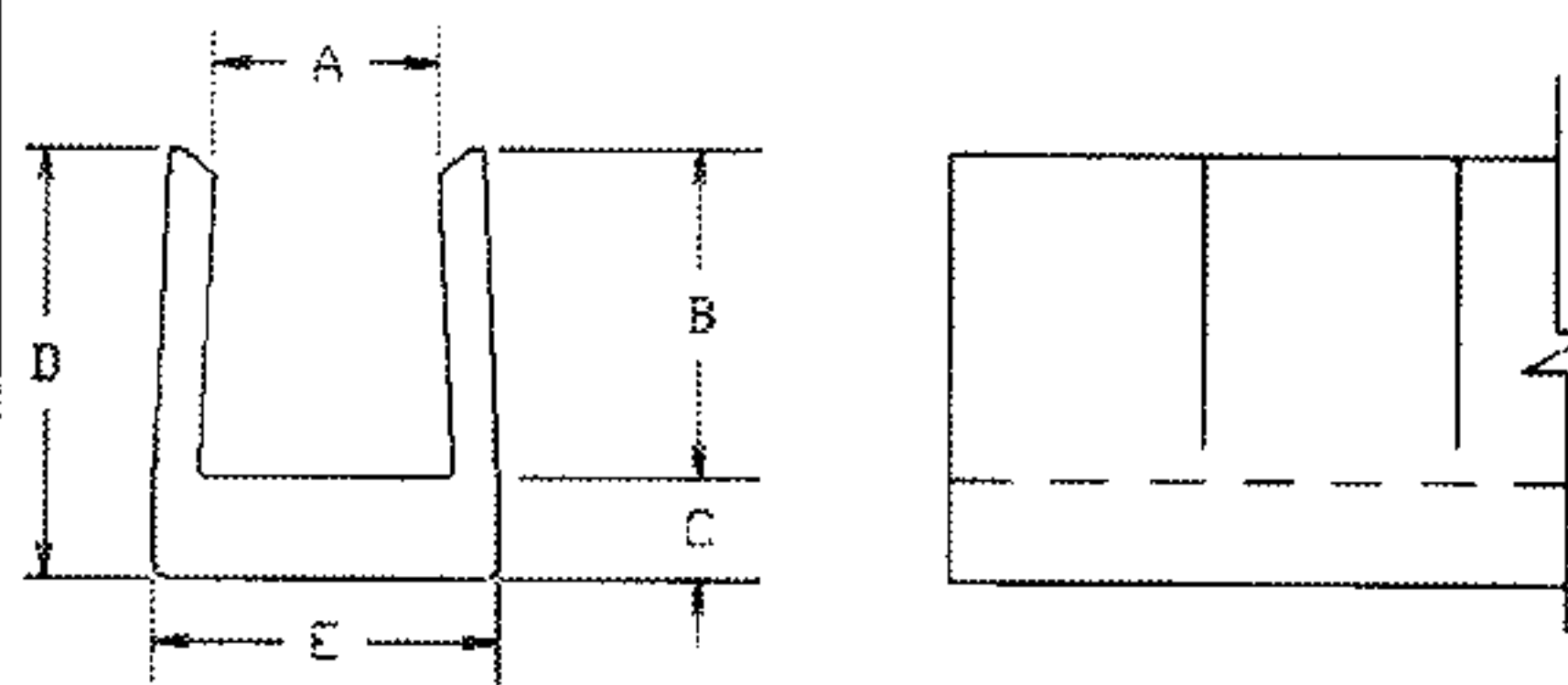
PART NO.	HOLE SIZE REF.	A	B	C	PRONGS
790-3002	1/4	13/32	15/64	1/16	6
790-3004	5/16	7/16	1/4	1/16	6
790-3006	3/8	1/2	15/64	1/16	6
790-3008	1/2	21/32	9/32	5/64	8
790-3010	5/8	13/16	9/32	5/64	8
790-3012	3/4	59/64	19/64	5/64	12
790-3014	7/8	1-1/16	19/64	1/16	12
790-3016	1	1-9/64	21/64	3/32	12
790-3018	1" Vent	1-3/16	7/16	5/64	6
790-3020	1-1/8	1-5/16	11/32	5/64	12
790-3022	1-1/4	1-7/16	11/32	3/32	12
790-3024	1-3/8	1-9/16	13/32	5/64	12
790-3026	1-1/2	1-41/64	13/32	3/32	12
PLASTIC					
790-3180	1/4	27/64		.040	4
790-3182	5/16	29/64		.050	4
790-3190	3/4	63/64		.062	6

HOLE PLUG - PLASTIC



PART NO.	HOLE DIA.	HEAD DIA.	HEIGHT	MAXIMUM PANEL THK.
790-3150	1/4	5/16	5/16	1/16
790-3152	5/16	3/8	5/16	1/16
790-3154	3/8	15/32	13/32	1/8
790-3156	1/2	37/64	13/32	1/8
790-3158	5/8	23/32	13/32	1/8
790-3160	3/4	59/64	13/32	1/8
790-3161	7/8	1-1/64	29/64	1/8
790-3162	1	1-13/64	29/64	1/8
790-3164	1" Vent	1-13/64	29/64	1/8
790-3166	1-7/64	1-7/32	29/64	1/8
790-3168	1-1/4	1-3/8	29/64	1/8
790-3170	1-3/8	1-1/2	29/64	1/8
790-3172	1-1/2	1-43/64	29/64	1/8

"CATERPILLAR" STRIP GROMMETING, EXTRUDED NYLON



Make your own grommets to fit any shape opening. Non-conductive Black Nylon, Type 6/6, fungus resistant to conform to MIL M20693 A, Type 1, 25 Ft. rolls for panel thickness .052 to .125

PART NO.	A	B	C	D	E
760-3181	.052	.150	.040	.190	.125
760-3182	.085	.155	.045	.200	.162
760-3183	.125	.175	.050	.220	.206
760-3184	.250	.230	.050	.280	.370



X-ON Electronics

Largest Supplier of Electrical and Electronic Components

Click to view similar products for [Circular MIL Spec Connector](#) category:

Click to view products by [Concord](#) manufacturer:

Other Similar products are found below :

[89075GULPR](#) [0025-262-542](#) [0025-264-3014](#) [58-570121-04S](#) [0134-213-1208](#) [0134-213-2209](#) [0025-258-000](#) [60-042022-07P](#) [60-042022-19P](#)
[60-042022-23P](#) [60-042217-10P](#) [0114-201-1278](#) [012-0467-000](#) [602GB06EG24-61SN](#) [0134-201-1207](#) [0134-213-1006](#) [6104-207-2302](#) [6104-](#)
[208-1902](#) [61-168211-04P](#) [61-168617-10P](#) [6131-202-19149P](#) [6131-204-21149P](#) [6131-208-13149P](#) [6131-209-17149P](#) [6131-210-11149P](#) [6131-](#)
[211-19149P](#) [6131-216-19149P](#) [6131-259-21149P](#) [6131-259-23149P](#) [6131-265-17149P](#) [6131-265-19149P](#) [CS3100A18-1P-472](#) [CS3100A-36-](#)
[77P](#) [CS3101A-16-55P](#) [CS3102A-10SL-55P](#) [CS3102A-14S-58P](#) [CS3102A-32-17P](#) [CS3102A32-25S](#) [CS3102C18-4P-472](#)
[CS3106A10SL3S004](#) [CS3106A-18-73S](#) [CS3108A-14S-52S](#) [CS3108A-28-51S](#) [6162-233-1277](#) [6162-324-1231](#) [M243082296Z](#)
[M2884010AC1S1](#) [CT0-24-10SC](#) [CT0M20-7PCAU](#) [M28840/17AC1G3](#)