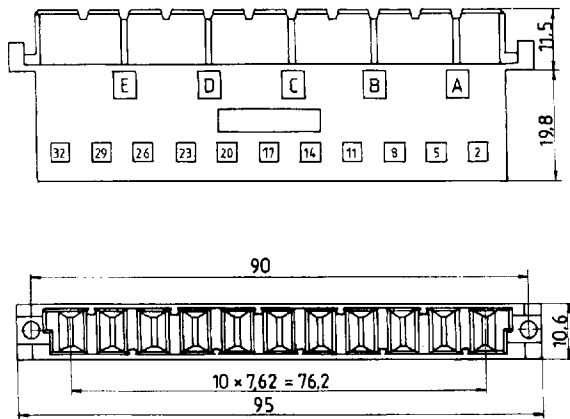
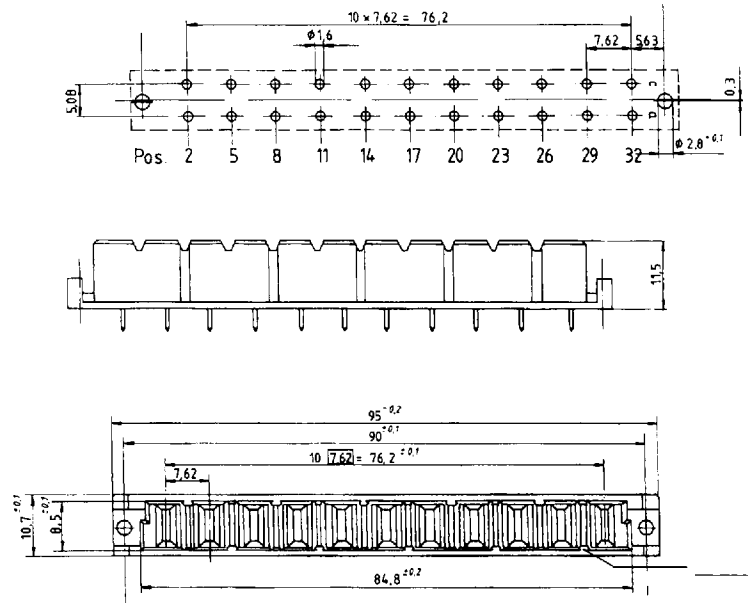


Female connector

Drawing

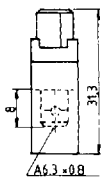


Board drillings

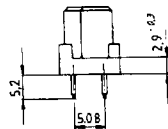


Type of termination

Faston



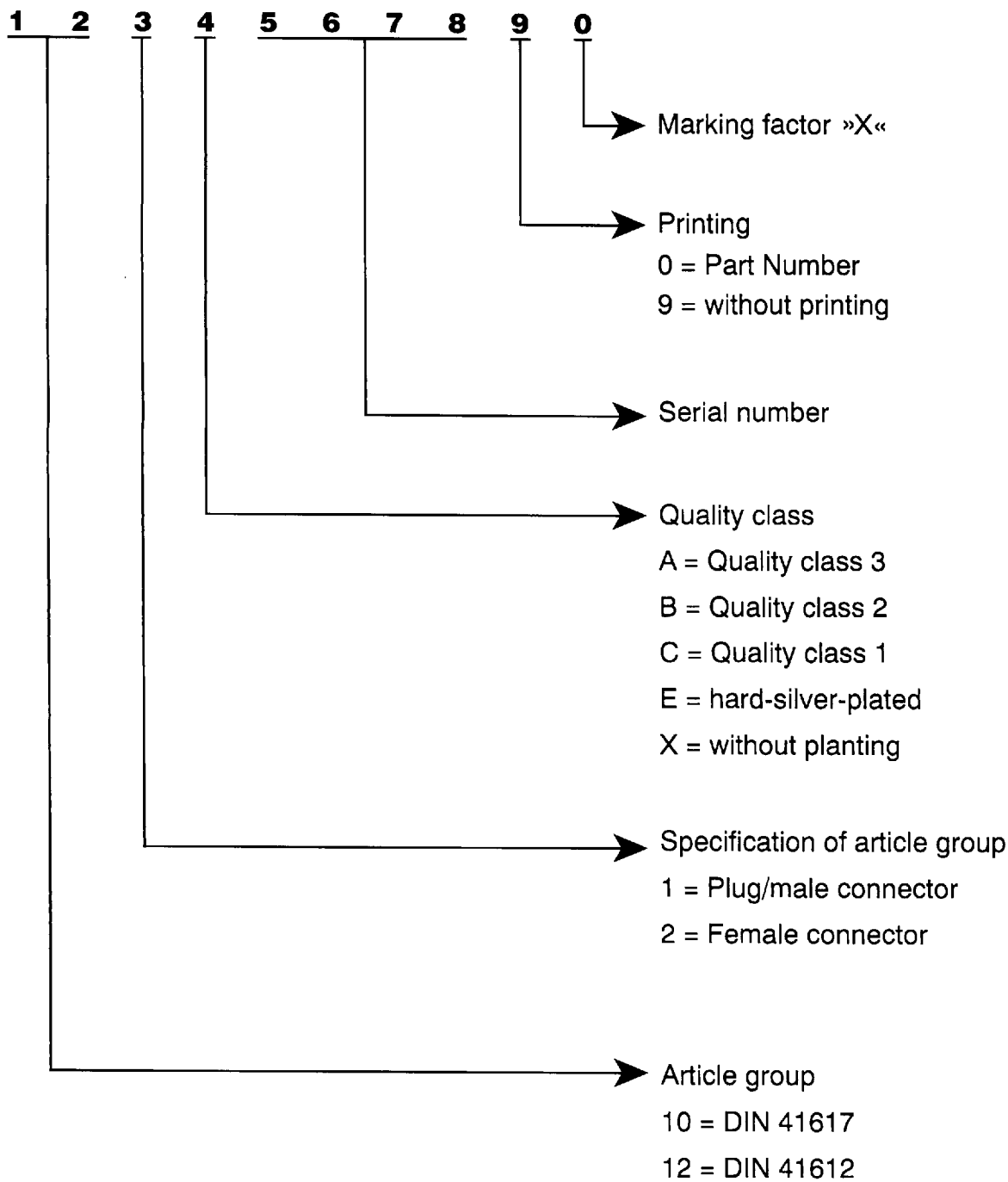
Solder pin



## Part numbers

| No. of Pos. | Female connector          |                            |                      |
|-------------|---------------------------|----------------------------|----------------------|
|             | Faston                    | Solder pin                 | Coding pice          |
| 11          | H 11 FFA<br>122 E 11709 X | H 11 FP 5<br>122 E 11719 X | HKK<br>120 X 10019 X |

### Part Number



### Order example

| Male connector type C 64 pos. angled solder pin without printing |                                       |
|--|---------------------------------------|
| Quality class  | Part Number                           |
| 3  | C 64 M 3 A a + c <b>121 A 10139 X</b> |
| 2  | C 64 M 2 A a + c <b>121 B 10139 X</b> |
| 1  | C 64 M 1 A a + c <b>121 C 10139 X</b> |

■ 9017935 0000163 041 ■

| Type M/2  | Type R                   | Type R/2                 | Type D                   | Type E                   | Type F                   | Type F Ex-i              | Type G                    | Type H                   | Mixed connectors         |                          |                          |
|---|--------------------------|--------------------------|--------------------------|--------------------------|--------------------------|--------------------------|---------------------------|--------------------------|--------------------------|--------------------------|--------------------------|
|   |                          |                          |                          |                          |                          |                          |                           |                          | F                        | H                        |                          |
| ≤ 20 mΩ   | ≤ 20 mΩ                  | ≤ 20 mΩ                  | ≤ 15 mΩ                  | ≤ 15 mΩ                  | ≤ 15 mΩ                  | ≤ 15 mΩ                  | ≤ 15 mΩ                   | ≤ 15 mΩ                  | ≤ 15 mΩ                  | ≤ 8 mΩ                   |                          |
| ≥ 10 <sup>12</sup> Ω  | ≥ 10 <sup>12</sup> Ω     | ≥ 10 <sup>12</sup> Ω     | ≥ 10 <sup>12</sup> Ω     | ≥ 10 <sup>12</sup> Ω     | ≥ 10 <sup>12</sup> Ω     | ≥ 10 <sup>12</sup> Ω     | ≥ 10 <sup>12</sup> Ω      | ≥ 10 <sup>12</sup> Ω     | ≥ 10 <sup>12</sup> Ω     |                          |                          |
| ≥ 10 <sup>12</sup> Ω  | ≥ 10 <sup>12</sup> Ω     | ≥ 10 <sup>12</sup> Ω     | ≥ 10 <sup>12</sup> Ω     | ≥ 10 <sup>12</sup> Ω     | ≥ 10 <sup>12</sup> Ω     | ≥ 10 <sup>12</sup> Ω     | ≥ 10 <sup>12</sup> Ω      | ≥ 10 <sup>12</sup> Ω     | ≥ 10 <sup>12</sup> Ω     |                          |                          |
| ≥ 10 <sup>11</sup> Ω  | ≥ 10 <sup>11</sup> Ω     | ≥ 10 <sup>11</sup> Ω     | ≥ 10 <sup>11</sup> Ω     | ≥ 10 <sup>11</sup> Ω     | ≥ 10 <sup>11</sup> Ω     | ≥ 10 <sup>11</sup> Ω     | ≥ 10 <sup>11</sup> Ω      | ≥ 10 <sup>11</sup> Ω     | ≥ 10 <sup>11</sup> Ω     |                          |                          |
| ≥ 1,2 mm  | ≥ 1,2 mm                 | ≥ 1,2 mm                 | ≥ 3 mm                   | ≥ 3 mm                   | ≥ 1,6 mm                 | ≥ 1,6 mm                 | ≥ 1,6 mm<br>f+z           | ≥ 4,5 mm                 | ≥ 1,6 mm                 | ≥ 4,5 mm                 |                          |
| ≥ 1,2 mm  | ≥ 1,2 mm                 | ≥ 1,2 mm                 | ≥ 3 mm                   | ≥ 3 mm                   | ≥ 3 mm                   | ≥ 3 mm                   | ≥ 3 mm<br>≥ 1,9 mm<br>f+z | ≥ 8 mm                   | ≥ 3 mm                   | ≥ 8 mm                   |                          |
| 1000 V  | 1000 V                   | 1000 V                   | 1000 V                   | 1000 V                   | 1550 V                   | 1550 V                   | 1550 V                    | 3100 V                   | 1550 V                   | 3100 V                   |                          |
| 1550 V  | 1550 V                   | 1550 V                   | 1550 V                   | 1550 V                   | 2550 V                   | 2550 V                   | 2550 V                    | 3100 V                   | 1550 V                   | 3100 V                   |                          |
| 250 V   | 250 V                    | 250 V                    | 125 V                    | 125 V                    | 125 V                    | 125 V                    | 125 V                     | 500 V                    | 125 V                    | 500 V                    |                          |
| A   | A                        | A                        | C                        | C                        | C                        | C                        | C                         | C                        | C                        | C                        |                          |
| 2 A<br>1 A<br>0,5 A   | 2 A<br>1 A<br>0,5 A      | 2 A<br>1 A<br>0,5 A      | 5,5 A<br>4 A<br>2,5 A    | 5,5 A<br>4 A<br>2,5 A    | 5,5 A<br>4 A<br>2,5 A    | 5,5 A<br>4 A<br>2,5 A    | 5,5 A<br>4 A<br>2,5 A     | 5,5 A<br>4 A<br>2,5 A    | 15 A<br>12 A<br>8 A      | 5,5 A<br>4 A<br>2,5 A    | 15 A<br>12 A<br>8 A      |
| -55° C<br>...<br>+125° C  | -55° C<br>...<br>+125° C | -55° C<br>...<br>+125° C | -55° C<br>...<br>+125° C | -55° C<br>...<br>+125° C | -55° C<br>...<br>+125° C | -55° C<br>...<br>+125° C | -55° C<br>...<br>+125° C  | -55° C<br>...<br>+125° C | -55° C<br>...<br>+125° C | -55° C<br>...<br>+125° C | -55° C<br>...<br>+125° C |
| X   | X                        | X                        | X                        | X                        | X                        | X                        | X                         | X                        | X                        | X                        |                          |
| Copper alloy  |                          |                          |                          |                          |                          |                          |                           |                          |                          |                          |                          |
| X   | X                        | X                        | X                        | X                        | X                        | X                        | X                         | X                        | X                        | X                        |                          |
| UL 94 V-1   |                          |                          |                          |                          |                          |                          |                           |                          |                          |                          |                          |
| UL 94 V-0   |                          |                          |                          |                          |                          |                          |                           |                          |                          |                          |                          |
| UL 94 H-B   |                          |                          |                          |                          |                          |                          |                           |                          |                          |                          |                          |
| 16+8p 75 N<br>30+2p 45 N<br>20+2p 35 N<br>12+4p 40 N<br>8+4p 38 N<br>87+1p 90 N<br>58+1p 85 N | 32p 30N                  | 16p 15N                  | 16p 20N                  | 16p 20N                  | 32p 50N                  | 32p 50N                  | 64p 100N                  | 11p 80N                  | 16p + 7p 67 N            |                          |                          |
|   | 64p 60N                  | 32p 30N                  | 32p 40N                  | 32p 40N                  | 48p 75N                  | 48p 75N                  |                           | 15p 90N                  | 24p + 7p 79 N            |                          |                          |
|   | 96p 90N                  | 48p 45N                  |                          | 48p 60N                  |                          |                          |                           |                          | 36p + 7p 96 N            |                          |                          |
| X   | X                        | X                        | X                        | X                        | X                        | X                        | X                         | X                        | X                        | X                        |                          |
| X   | X                        | X                        | X                        | X                        | X                        | X                        | X                         | X                        | X                        | X                        |                          |
| X   | X                        | X                        | X                        | X                        | X                        | X                        | X                         | X                        | X                        | X                        |                          |
| 9017935 0000217 042   |                          |                          |                          |                          |                          |                          |                           |                          |                          |                          |                          |

## X-ON Electronics

Largest Supplier of Electrical and Electronic Components

*Click to view similar products for [DIN 41612 Connectors](#) category:*

*Click to view products by [CONEC](#) manufacturer:*

Other Similar products are found below :

[004.767](#) [608489050008049](#) [691327-1](#) [74670-0732](#) [74680-0340](#) [75880-0015](#) [76453-0014](#) [86093159ALF](#) [9732967801](#) [QLC260R](#)  
[120X10019X](#) [120X10089X](#) [122A10249X](#) [122A11089X](#) [122A13089X](#) [122A10089X](#) [122A10129X](#) [122A10349X](#) [122A13359X](#) [1377391-4](#)  
[DIN-048CPC-SR1-MH](#) [1393583-2](#) [1393726-7](#) [140X10129X](#) [143-1913-000](#) [143-1908-000](#) [1484472-1](#) [2110070-1](#) [2110070-2](#) [CBC20T00-](#)  
[008FDS5-0-1-002VR](#) [172699-5036](#) [2-1393557-4](#) [2-1437084-2](#) [394506](#) [419-2080-402](#) [419-2085-302](#) [V42254B2202C968](#) [419-2086-201](#) [419-](#)  
[2087-002](#) [448657-1](#) [448847-3](#) [5-1393755-9](#) [02990000004](#) [033020](#) [043619](#) [054302](#) [043556](#) [0760557108](#) [09062483201750](#) [0850033067](#)