

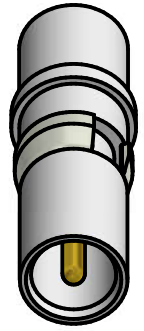
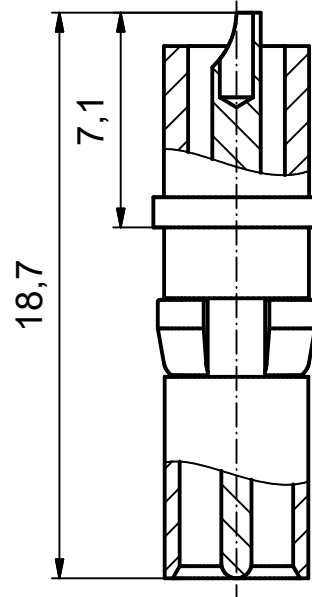
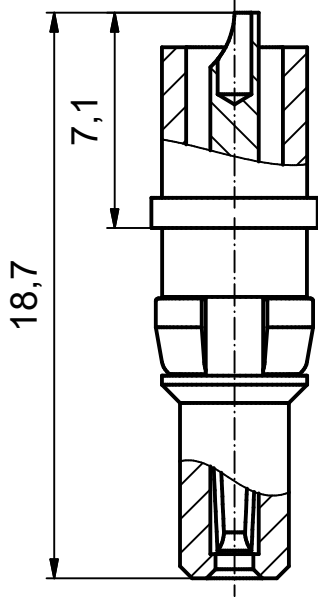


PLUG CONTACT: 131□14019X

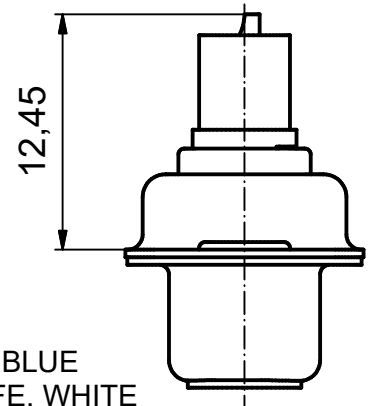
SOCKET CONTACT: 132□14019X

Ⓒ SHOULD BE USED FOR D-SUB COMBINATION MALE CONNECTORS

Ⓒ SHOULD BE USED FOR D-SUB COMBINATION FEMALE CONNECTORS

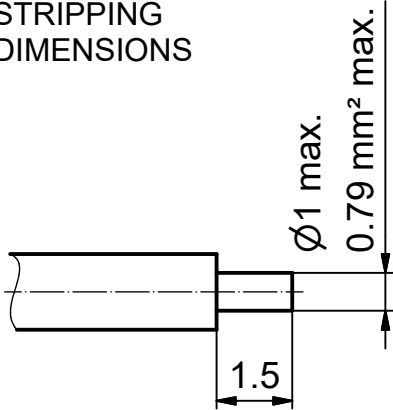


INSTALLATION DIMENSION



RoHS compliant

STRIPPING DIMENSIONS



Ⓒ Ⓑ NOTES:

- INSULATOR:
PLUG CONTACT: PTFE, BLUE
SOCKET CONTACT: PTFE, WHITE
- CONTACT: COPPER ALLOY,
PLATING CONTACT AREA:
□ = A: GOLD FLASH OVER NICKEL
□ = J: 50 µin HARD GOLD OVER NICKEL
- SOLDER CUP ACCEPTS CABLE AWG 20
- RETAINING RING: COPPER ALLOY, NICKEL PLATED
- PLUG CONTACT MAY ONLY BE MOUNTED IN D-SUB COMBINATION MALE CONNECTORS, SOCKET CONTACT MAY ONLY BE MOUNTED IN D-SUB COMBINATION FEMALE CONNECTORS

THIS DRAWING MAY NOT BE COPIED OR REPRODUCED IN ANY WAY, AND MAY NOT BE PASSED ON TO A THIRD PARTY WITHOUT WRITTEN PERMISSION. OWNERSHIP AND COPYRIGHT OF CONEC GmbH

DO NOT ALTER CAD DRAWING BY HAND

| | | | | | | |
|-------|-------------|------------|---------|------------------|-----------------|------------|
| | | | | tolerance | | dim. in mm |
| | | | | date | name | |
| | | | | drawn 07.05.2002 | Parei | |
| | | | | appd. 07.05.2002 | E. Mickenbecker | |
| | | | | norm | | |
| 3 x c | Ä21-007 | 21.01.2021 | JLE | d-old | | |
| 1 x b | Ä3527 | 14.12.2009 | Henneb. | | | |
| a | Original | | | | | |
| rev. | description | date | name | | | |

| | | |
|-----------|---|--------|
| scale: | 4:1 | |
| material: | SEE NOTES | |
| title: | HIGH VOLTAGE PLUG + SOCKET CONTACT solder termination straight for D-SUB COMBINATION CONNECTORS | |
| dwg no: | 13K1A568 | DIN-A4 |
| part no: | SEE DRAWING | sh: 1 |



X-ON Electronics

Largest Supplier of Electrical and Electronic Components

Click to view similar products for [D-Sub Contacts](#) category:

Click to view products by [CONEC](#) manufacturer:

Other Similar products are found below :

[D02-22-26S-10000](#) [8656352067LF](#) [131A15029X](#) [132A11019X](#) [132J22039X](#) [132A11029X](#) [132A11049X](#) [1757912-1](#) [188582-000](#)
[162A11889X](#) [1757913-1](#) [212558-1](#) [030-1955-000](#) [053744-0098](#) [053744-0099](#) [053745-0105](#) [053745-0111](#) [601098N003](#) [86303057NLF](#)
[131A11019X](#) [162A11819X](#) [40-9854MP](#) [1-208778-5](#) [FC120N2](#) [MC7526D/AA](#) [MC8122D/AA](#) [FC4010D-15](#) [FC4006D](#) [121A05329A](#)
[164C16669X](#) [86566620064LF](#) [C330-8997-101H](#) [131A13019X](#) [DLS3XS5AK40X](#) [09692825723](#) [030-1954-000](#) [L17DM53744207](#)
[L17RRD1M11400](#) [030-1952-000](#) [1655496](#) [030-1953-000](#) [030-1953-030](#) [132C11039X](#) [132J15019X](#) [132C15019X](#) [131A10029X](#)
[8638PSC2006LF](#) [8656453067LF](#) [86566520064LF](#) [L17DM537441](#)