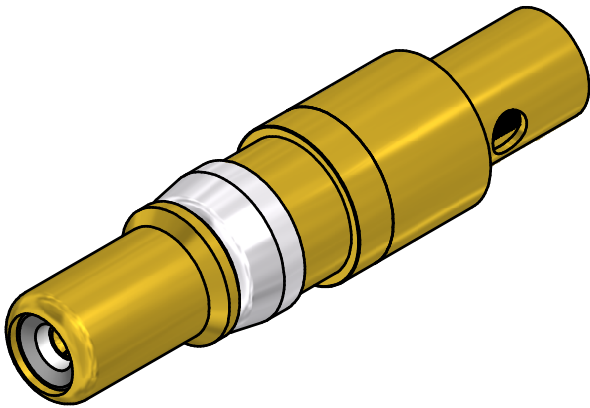
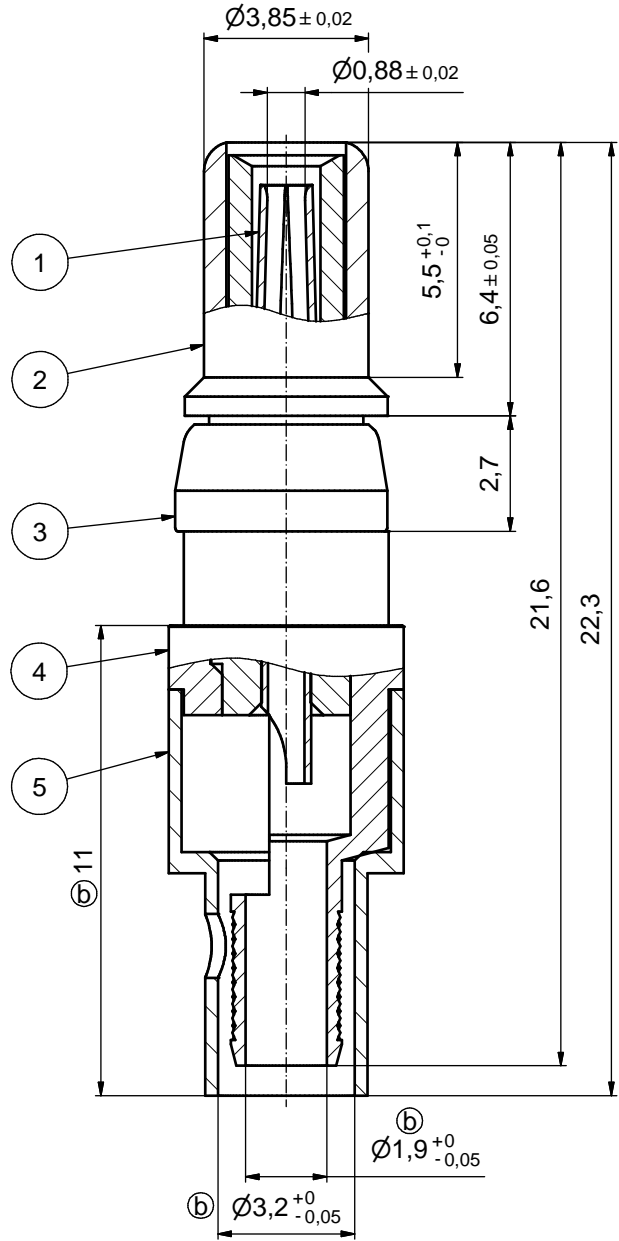
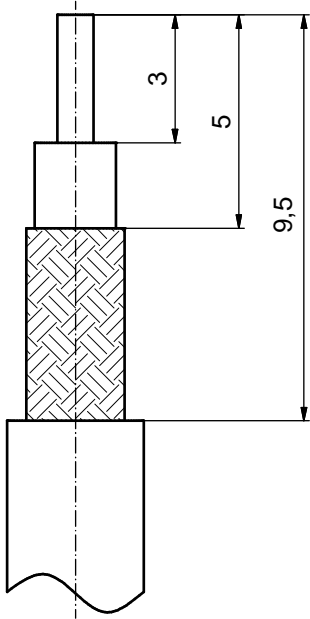


⑥ STRIPPING DIMENSIONS



⑥ **ASSEMBLY TOOLING:**

1. CENTER CONTACT:  
SOLDERED
2. OUTER CONDUCTOR:  
SOLDERED OR CRIMPED  
USE CRIMP TOOL: 360X10519X  
WITH TOOL INSERT: 360X11019X  
INSERT CAVITY B: HEX 3.25 / .128"

⑥

Part no.	Finish Pos.1	Finish Pos.2	Finish Pos.3	Finish Pos. 4/5
131J20029X	50µin HARD GOLD over min. 50µin NICKEL	30µin HARD GOLD over min. 50µin NICKEL	NICKEL PLATED	GOLD FLASH over NICKEL
131A20029X	GOLD FLASH over NICKEL	GOLD FLASH over NICKEL	NICKEL PLATED	GOLD FLASH over NICKEL

THIS DRAWING MAY NOT BE COPIED OR REPRODUCED IN ANY WAY, AND MAY NOT BE PASSED ON TO A THIRD PARTY WITHOUT WRITTEN PERMISSION. OWNERSHIP AND COPYRIGHT OF CONEC GmbH DO NOT ALTER CAD DRAWING BY HAND	tolerance		dim. in mm		scale: 8:1
					material: COPPER ALLOY (Pos. 1-5)
	drawn	29.08.05	Lehmenkühler		title: COAXIAL CONTACT PLUG 50 OHM inner conductor for solder termination outer conductor for solder or crimp termination
	appd.	30.08.05	Mickenbecker		
	norm				
d-old				dwg no:	
6 x b	Ä4538	16.11.12	Lehmen	13K2IAPA	
a	Original				
rev.	description	date	name	part no: see table	
<b>CONEC</b>				DIN-A3 sh: 1	

Directive 2002/95/EC RoHS compliant

## X-ON Electronics

Largest Supplier of Electrical and Electronic Components

*Click to view similar products for [D-Sub Contacts](#) category:*

*Click to view products by [CONEC](#) manufacturer:*

Other Similar products are found below :

[D02-22-26S-10000](#) [8656352067LF](#) [131A15029X](#) [132A11019X](#) [132J22039X](#) [132A11029X](#) [132A11049X](#) [1757912-1](#) [188582-000](#)  
[162A11889X](#) [1757913-1](#) [212558-1](#) [030-1955-000](#) [053744-0098](#) [053744-0099](#) [053745-0105](#) [053745-0111](#) [601098N003](#) [86303057NLF](#)  
[131A11019X](#) [162A11819X](#) [40-9854MP](#) [1-208778-5](#) [FC120N2](#) [MC7526D/AA](#) [MC8122D/AA](#) [FC4010D-15](#) [FC4006D](#) [121A05329A](#)  
[164C16669X](#) [86566620064LF](#) [C330-8997-101H](#) [131A13019X](#) [DLS3XS5AK40X](#) [09692825723](#) [030-1954-000](#) [L17DM53744207](#)  
[L17RRD1M11400](#) [030-1952-000](#) [1655496](#) [030-1953-000](#) [030-1953-030](#) [132C11039X](#) [132J15019X](#) [132C15019X](#) [132C11019X](#)  
[131A10029X](#) [8638PSC2006LF](#) [8656453067LF](#) [86566520064LF](#)