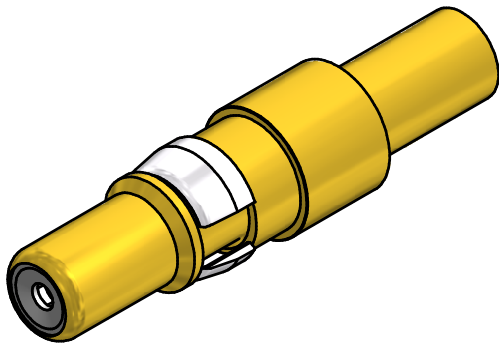
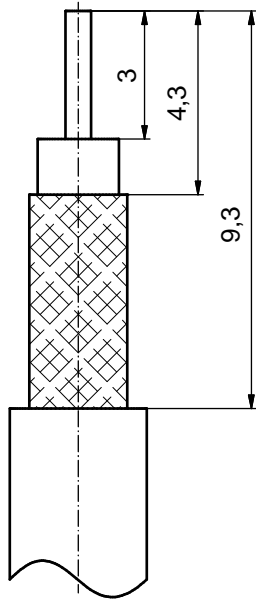


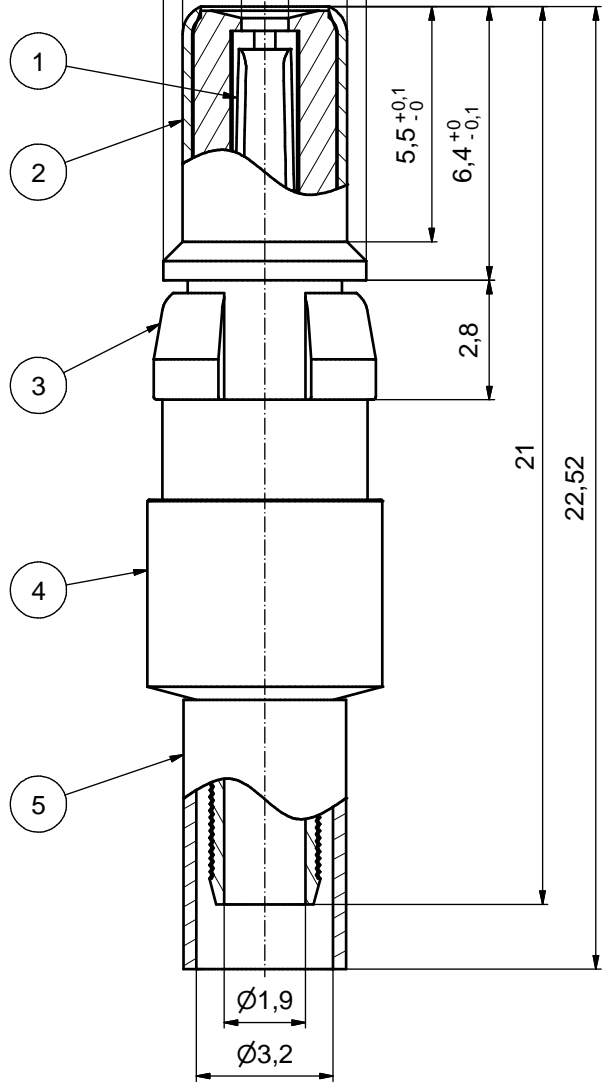
**(b) STRIPPING DIMENSIONS**



**(c)  $\varnothing 4,75^{+0}_{-0,03}$**

**(c)  $\varnothing 1,1^{+0}_{-0,1}$**

$\varnothing 3,85 \pm 0,02$



**(c) ASSEMBLY TOOLING:**

1. CENTER CONTACT:  
USE CRIMP TOOL: 360X10329X  
WITH TOOL INSERT: 360X11049X  
SELECTOR SETTING: 3 (FOR AWG 30 CENTER CONDUCTOR OF CABLE)
2. CRIMP FERRULE:  
USE CRIMP TOOL: 360X10519X  
WITH TOOL INSERT: 360X11019X  
INSERT CAVITY B: HEX 3.25/128

Part no.	Finish Pos.1	Finish Pos.2	Finish Pos.3	Finish Pos. 4/5
131J31019X	min. 50µin HARD GOLD over min. 50µin NICKEL	min. 30µin HARD GOLD over min. 50µin NICKEL	NICKEL PLATED	GOLD FLASH over NICKEL
131A31019X	GOLD FLASH over NICKEL	GOLD FLASH over NICKEL	NICKEL PLATED	GOLD FLASH over NICKEL

Directive 2002/95/EC RoHS compliant

THIS DRAWING MAY NOT BE COPIED OR REPRODUCED IN ANY WAY, AND MAY NOT BE PASSED ON TO A THIRD PARTY WITHOUT WRITTEN PERMISSION. OWNERSHIP AND COPYRIGHT OF CONEC GmbH  DO NOT ALTER CAD DRAWING BY HAND	tolerance		dim. in mm		scale: 8:1	
	date		name		material: COPPER ALLOY (Pos.1 - 5) (c)	
	drawn	01.10.01	Parei		title: COAXIAL CONTACT PLUG 75 OHM	
	appd.	01.10.01	Mickenbecker		inner + outer conductor for crimp termination	
	norm				for cable RG 179BU 187AU	
5 x c	Ä3774	07.01.11	HS	d-old	dwg no: Inventor 10	DIN-A3
1 x b	Ä2215	26.04.05	HS		13K2A039	sh: 1
a	Origin					
rev.	description	date	name			part no: see table

## X-ON Electronics

Largest Supplier of Electrical and Electronic Components

*Click to view similar products for [D-Sub Contacts](#) category:*

*Click to view products by [CONEC](#) manufacturer:*

Other Similar products are found below :

[D02-22-26S-10000](#) [8656352067LF](#) [131A15029X](#) [132A11019X](#) [132J22039X](#) [132A11029X](#) [132A11049X](#) [1757912-1](#) [188582-000](#)  
[162A11889X](#) [1757913-1](#) [212558-1](#) [030-1955-000](#) [053744-0098](#) [053744-0099](#) [053745-0105](#) [053745-0111](#) [601098N003](#) [86303057NLF](#)  
[131A11019X](#) [162A11819X](#) [40-9854MP](#) [1-208778-5](#) [FC120N2](#) [MC7526D/AA](#) [MC8122D/AA](#) [FC4010D-15](#) [FC4006D](#) [121A05329A](#)  
[164C16669X](#) [86566620064LF](#) [C330-8997-101H](#) [131A13019X](#) [DLS3XS5AK40X](#) [09692825723](#) [030-1954-000](#) [L17DM53744207](#)  
[L17RRD1M11400](#) [030-1952-000](#) [1655496](#) [030-1953-000](#) [030-1953-030](#) [132C11039X](#) [132J15019X](#) [132C15019X](#) [131A10029X](#)  
[8638PSC2006LF](#) [8656453067LF](#) [86566520064LF](#) [L17DM537441](#)