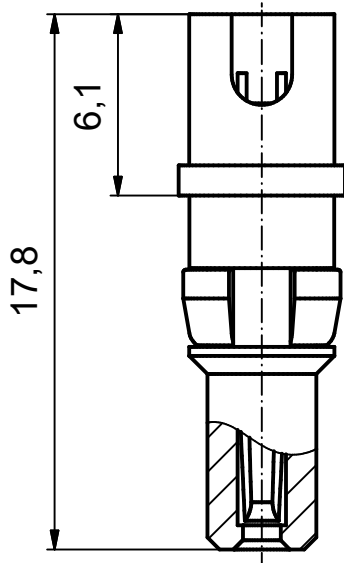


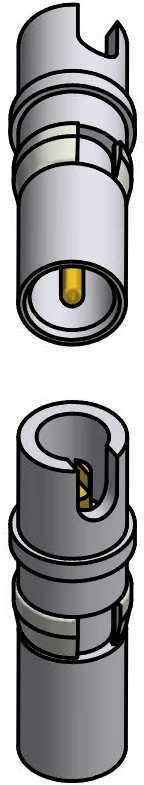
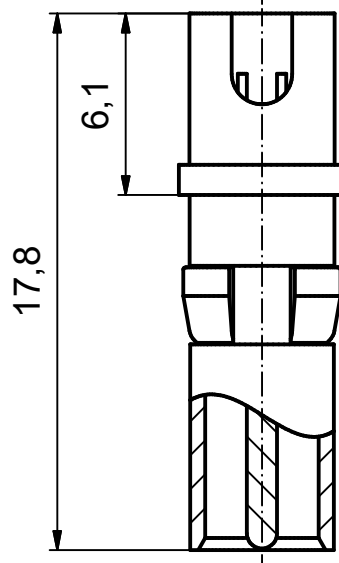
PLUG CONTACT: 131J14519X

(d) SHOULD BE USED FOR D-SUB COMBINATION MALE CONNECTORS

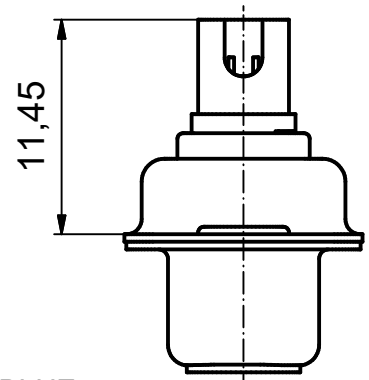


SOCKET CONTACT: 132J14519X

(d) SHOULD BE USED FOR D-SUB COMBINATION FEMALE CONNECTORS

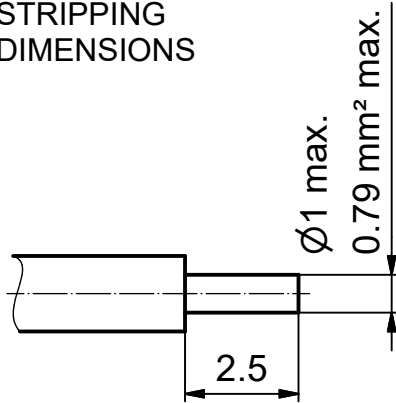


INSTALLATION DIMENSION



RoHS compliant

STRIPPING DIMENSIONS



(d) (b) (c) NOTES:

1. INSULATOR:
PLUG CONTACT: PTFE, BLUE
SOCKET CONTACT: PTFE, WHITE
2. CONTACT: COPPER ALLOY,
PLATING CONTACT AREA:
50 µin HARD GOLD OVER NICKEL
3. SOLDER CUP ACCEPTS CABLE AWG 20
4. RETAINING RING: COPPER ALLOY, NICKEL PLATED
5. PLUG CONTACT MAY ONLY BE MOUNTED IN D-SUB COMBINATION MALE CONNECTORS, SOCKET CONTACT MAY ONLY BE MOUNTED IN D-SUB COMBINATION FEMALE CONNECTORS

THIS DRAWING MAY NOT BE COPIED OR REPRODUCED IN ANY WAY, AND MAY NOT BE PASSED ON TO A THIRD PARTY WITHOUT WRITTEN PERMISSION. OWNERSHIP AND COPYRIGHT OF CONEC GmbH

DO NOT ALTER CAD DRAWING BY HAND

				tolerance		scale: 4:1
				dim. in mm		material: SEE NOTES
				date	name	title: HIGH VOLTAGE PLUG + SOCKET CONTACT solder termination angled for D-SUB COMBINATION CONNECTORS
				drawn 07.05.2002	Parei	
				appd. 07.05.2002	E. Mickenbecker	
3 x d	Ä21-007	21.01.2021	JLE	norm		dwg no: 13K1A569
1 x c	Ä3527	14.12.2009	Henneb.	d-old		
1 x b	Ä2434	01.02.2006	Lehmen.			DIN-A4
a	Original					sh: 1
rev.	description	date	name			part no: SEE DRAWING



X-ON Electronics

Largest Supplier of Electrical and Electronic Components

Click to view similar products for [D-Sub Contacts](#) category:

Click to view products by [CONEC](#) manufacturer:

Other Similar products are found below :

[D02-22-26S-10000](#) [8656352067LF](#) [131A15029X](#) [132A11019X](#) [132J22039X](#) [132A11029X](#) [132A11049X](#) [1757912-1](#) [188582-000](#)
[162A11889X](#) [1757913-1](#) [212558-1](#) [030-1955-000](#) [053744-0098](#) [053744-0099](#) [053745-0105](#) [053745-0111](#) [601098N003](#) [86303057NLF](#)
[131A11019X](#) [162A11819X](#) [40-9854MP](#) [1-208778-5](#) [FC120N2](#) [MC7526D/AA](#) [MC8122D/AA](#) [FC4010D-15](#) [FC4006D](#) [121A05329A](#)
[164C16669X](#) [86566620064LF](#) [C330-8997-101H](#) [131A13019X](#) [DLS3XS5AK40X](#) [09692825723](#) [030-1954-000](#) [L17DM53744207](#)
[L17RRD1M11400](#) [030-1952-000](#) [1655496](#) [030-1953-000](#) [030-1953-030](#) [132C11039X](#) [132J15019X](#) [132C15019X](#) [131A10029X](#)
[8638PSC2006LF](#) [8656453067LF](#) [86566520064LF](#) [L17DM537441](#)