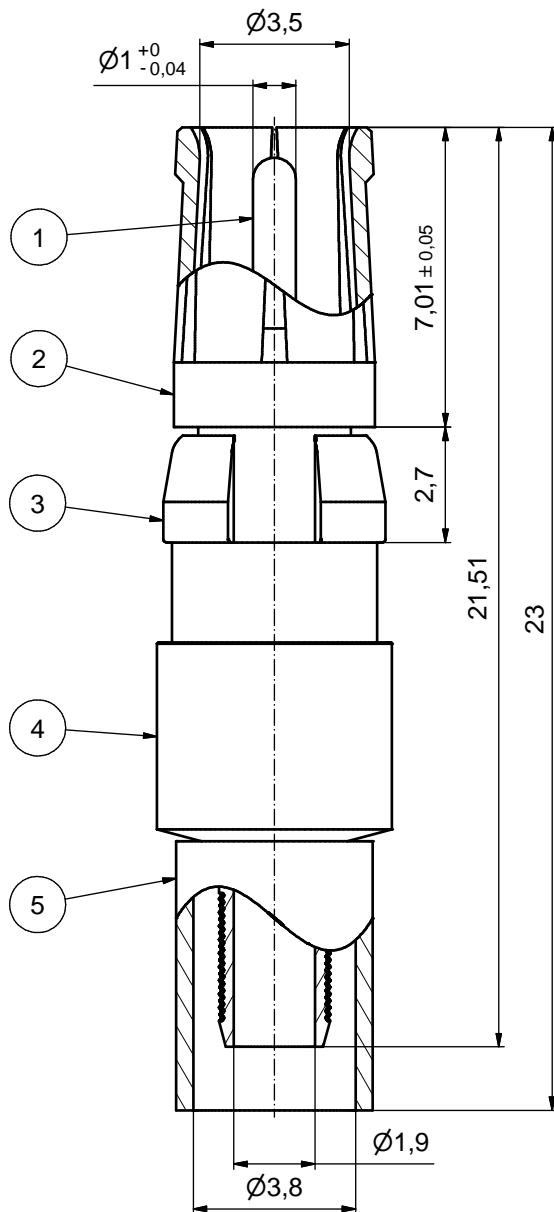
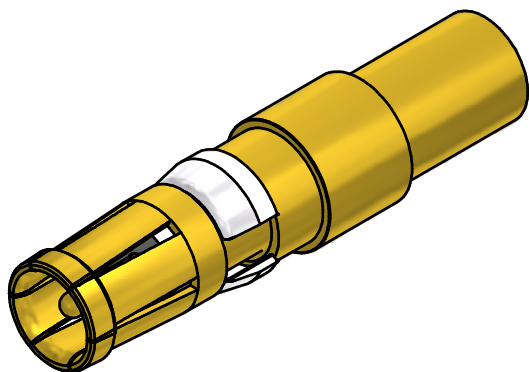
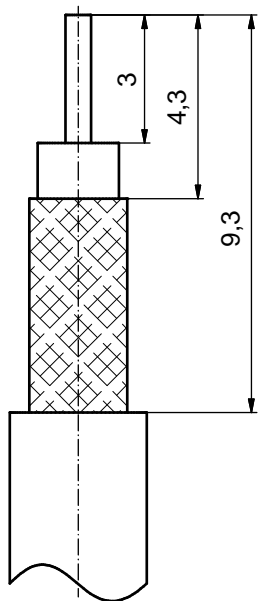


STRIPPING DIMENSIONS



ASSEMBLY TOOLING:

1. CENTER CONTACT:
 USE CRIMP TOOL: 360X10329X
 WITH TOOL INSERT: 360X11049X
 SELECTOR SETTING: 5 (FOR AWG26 CENTER CONDUCTOR OF CABLE)
2. CRIMP FERRULE:
 USE CRIMP TOOL: 360X10519X
 WITH TOOL INSERT: 360X11039X
 INSERT CAVITY B: HEX 3.83/151

Part no.	Finish Pos.1	Finish Pos.2	Finish Pos.3	Finish Pos. 4/5
132J21029X	min. 50µin HARD GOLD over min. 50µin NICKEL	min. 30µin HARD GOLD over min. 50µin NICKEL	NICKEL PLATED	GOLD FLASH over NICKEL
132A21029X	GOLD FLASH over NICKEL	GOLD FLASH over NICKEL	NICKEL PLATED	GOLD FLASH over NICKEL

Directive 2002/95/EC RoHS compliant

THIS DRAWING MAY NOT BE COPIED OR REPRODUCED IN ANY WAY, AND MAY NOT BE PASSED ON TO A THIRD PARTY WITHOUT WRITTEN PERMISSION. OWNERSHIP AND COPYRIGHT OF CONEC GmbH DO NOT ALTER CAD DRAWING BY HAND	tolerance		dim. in mm	scale: 8:1		
				material: COPPER ALLOY (Pos. 1 - 5)		
	drawn	12.10.10	Schmidt	title: COAXIAL CONTACT SOCKET 50 OHM inner + outer conductor for crimp termination for cable 316U double braided		
	appd.	12.10.10	Koch			
	norm					
	d-old					
a	Origin			dwg no: Inventor 10	DIN-A3	
rev.	description			date	name	13K2A035A
				part no:	see table	

X-ON Electronics

Largest Supplier of Electrical and Electronic Components

Click to view similar products for [D-Sub Contacts](#) category:

Click to view products by [CONEC](#) manufacturer:

Other Similar products are found below :

[D02-22-26S-10000](#) [8656352067LF](#) [131A15029X](#) [132A11019X](#) [132J22039X](#) [132A11029X](#) [132A11049X](#) [1757912-1](#) [188582-000](#)
[162A11889X](#) [1757913-1](#) [212558-1](#) [030-1955-000](#) [053744-0098](#) [053744-0099](#) [053745-0105](#) [053745-0111](#) [601098N003](#) [86303057NLF](#)
[131A11019X](#) [162A11819X](#) [40-9854MP](#) [1-208778-5](#) [FC120N2](#) [MC7526D/AA](#) [MC8122D/AA](#) [FC4010D-15](#) [FC4006D](#) [121A05329A](#)
[164C16669X](#) [86566620064LF](#) [C330-8997-101H](#) [131A13019X](#) [DLS3XS5AK40X](#) [09692825723](#) [030-1954-000](#) [L17DM53744207](#)
[L17RRD1M11400](#) [030-1952-000](#) [1655496](#) [030-1953-000](#) [030-1953-030](#) [132C11039X](#) [132J15019X](#) [132C15019X](#) [131A10029X](#)
[8638PSC2006LF](#) [8656453067LF](#) [86566520064LF](#) [L17DM537441](#)