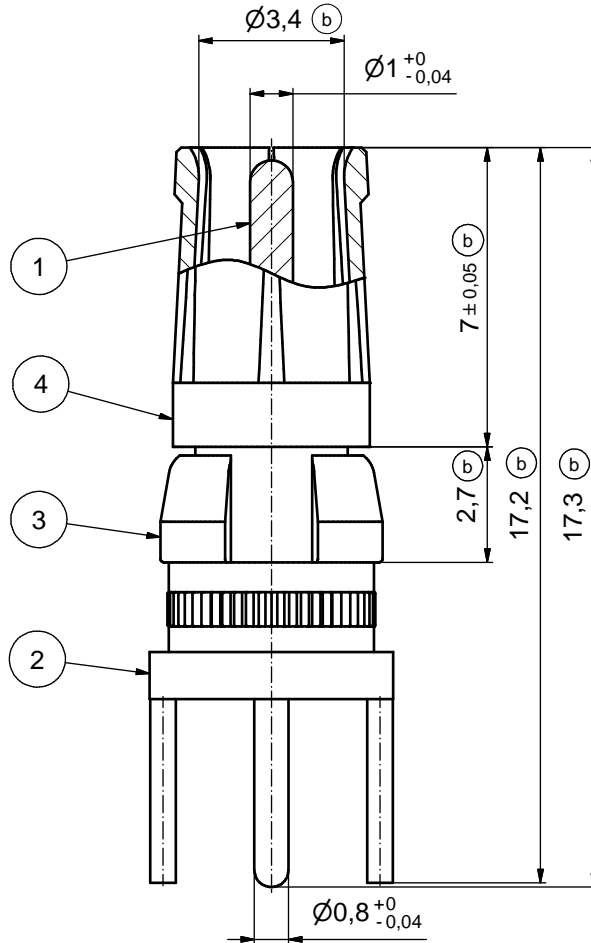
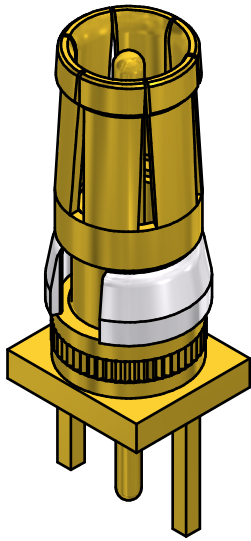
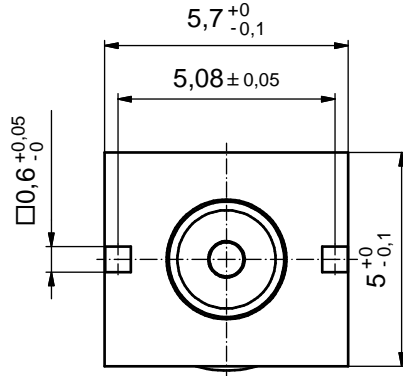
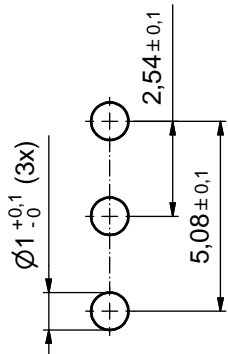


Part no.	Finish Pos.1	Finish Pos.2	Finish Pos.3	Finish Pos.4
132A24019X	GOLD FLASH over NICKEL	GOLD FLASH over NICKEL	NICKEL PLATED	GOLD FLASH over NICKEL
132J24019X	min. 50µin HARD GOLD over min. 50µin NICKEL	GOLD FLASH over NICKEL	NICKEL PLATED	min. 30µin HARD GOLD over min. 50µin NICKEL



(b) MOUNTING HOLES



Directive 2002/95/EC RoHS compliant

THIS DRAWING MAY NOT BE COPIED OR REPRODUCED IN ANY WAY, AND MAY NOT BE PASSED ON TO A THIRD PARTY WITHOUT WRITTEN PERMISSION. OWNERSHIP AND COPYRIGHT OF CONEC GmbH DO NOT ALTER CAD DRAWING BY HAND				tolerance		scale: 8:1	
				dim. in mm		material: COPPER ALLOY (Pos. 1 - 4) (b)	
				drawn	08.12.06	title: COAXIAL CONTACT SOCKET 50 OHM	
				appd.	08.12.06	Straight PCB termination, (76) with 3 Pins	
				norm		for D-SUB COMBINATION	
				d-old		dwg no:	
7 x b	Ä5188	30.04.14	HS	CONEC		13K2IARA	
a	Original					DIN-A3	
rev.	description	date	name	part no: see table (b)		sh: 1	

X-ON Electronics

Largest Supplier of Electrical and Electronic Components

Click to view similar products for [D-Sub Contacts](#) category:

Click to view products by [CONEC](#) manufacturer:

Other Similar products are found below :

[D02-22-26S-10000](#) [8656352067LF](#) [131A15029X](#) [132A11019X](#) [132J22039X](#) [132A11029X](#) [132A11049X](#) [1757912-1](#) [188582-000](#)
[162A11889X](#) [1757913-1](#) [212558-1](#) [030-1955-000](#) [053744-0098](#) [053744-0099](#) [053745-0105](#) [053745-0111](#) [601098N003](#) [86303057NLF](#)
[131A11019X](#) [162A11819X](#) [40-9854MP](#) [1-208778-5](#) [FC120N2](#) [MC7526D/AA](#) [MC8122D/AA](#) [FC4010D-15](#) [FC4006D](#) [121A05329A](#)
[164C16669X](#) [86566620064LF](#) [C330-8997-101H](#) [131A13019X](#) [DLS3XS5AK40X](#) [09692825723](#) [030-1954-000](#) [L17DM53744207](#)
[L17RRD1M11400](#) [030-1952-000](#) [1655496](#) [030-1953-000](#) [030-1953-030](#) [132C11039X](#) [132J15019X](#) [132C15019X](#) [132C11019X](#)
[131A10029X](#) [8638PSC2006LF](#) [8656453067LF](#) [86566520064LF](#)