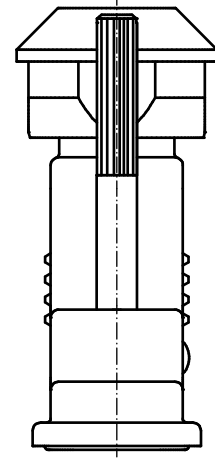
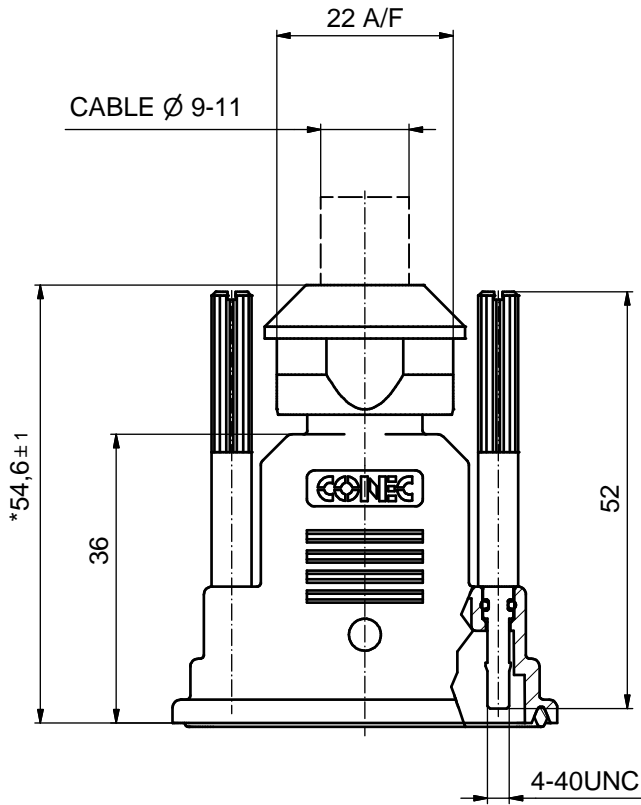


6 5 4 3 2 1

D

D

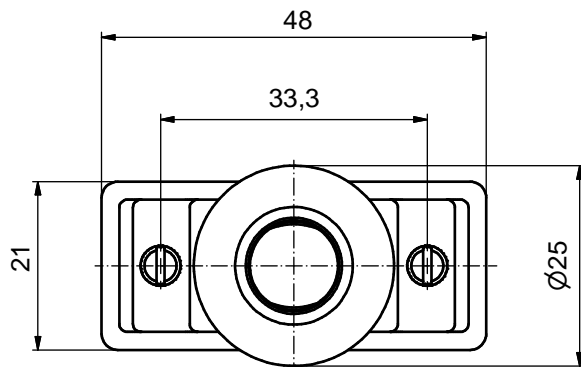


C

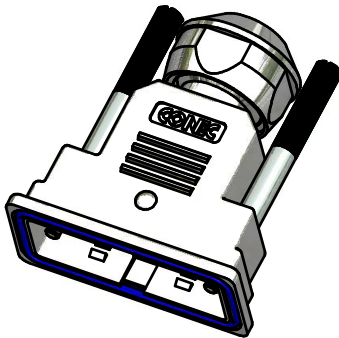
C

B

B



(1:1)



* COMPLETELY TIGHTENED

NOTES:

1. MATERIALS:
 HOOD, GLAND, COMPR.-RING: ABS UL94 V-0 METALLIZED
 FRONTSEALING: SILICONE VMQ BLUE
 CABLE SEALING: NBR BLACK
 JACK-SCREW: STAINLESS STEEL
 O-RING: NBR BLACK
 CABLE STRAIN RELIEF: STEEL, NI-PLATED
 SCREWS: STEEL, NI-PLATED
 SHIELDING BRACKET: CU-ALLOY, NI-PLATED
- (b) 2. TEMPERATURE RANGE: -30°C TO +80°C
3. RECOMMENDED TORQUE FOR SCREW:
 35Ncm (3.1 in.LB)
 MAX. TORQUE: 68Ncm (6 in.LB)
4. SINGLE PACKED

A

A

Directive 2002/95/EC RoHS compliant

THIS DRAWING MAY NOT BE COPIED OR REPRODUCED IN ANY WAY, AND MAY NOT BE PASSED ON TO A THIRD PARTY WITHOUT WRITTEN PERMISSION. OWNERSHIP AND COPYRIGHT OF CONEC GmbH

DO NOT ALTER CAD DRAWING BY HAND

				tolerance ± 0,3 unless otherw. specified		scale: 1,5:1 (1:1)
				date	name	material: SEE NOTES
				drawn 06.02.2014	Heinrich	title:
				appd. 06.02.2014	Huether	WATER RESISTANT D-SUB HOOD
				norm		(b) SHIELDED 15 pos.
				d-old		JACKSCREW 4-40UNC STAINLESS STEEL
3 x b	Ä5092	07.02.2014	Heinrich			dwg no:
a	Origin					15K1A1154
rev.	description	date	name			DIN-A3
						sh: 1
						part no: (b) 15-004770



6 5 4 3 2 1

X-ON Electronics

Largest Supplier of Electrical and Electronic Components

Click to view similar products for [D-Sub Tools & Hardware](#) category:

Click to view products by [CONEC](#) manufacturer:

Other Similar products are found below :

[000-01-09-132](#) [000-01-21-132](#) [000-01-31-162](#) [572019-00105-70](#) [000-01-37-162](#) [621-250-113-115](#) [D110550-2](#) [D20418-137](#) [780-518-50SG6-WS](#) [86552009](#) [86553115TLF](#) [86553117TLF](#) [1230032-1](#) [1-5021101-2](#) [1589283-4](#) [160-000-005R031](#) [16-000230](#) [160-025-004R031](#) [160-000-137R000](#) [160-020-209R000](#) [164C03939A](#) [177-505-A-2-2](#) [1-966830-8](#) [21018-6](#) [21028-2](#) [2-1393560-9](#) [JS-1000](#) [L17D204182M3E](#) [L17D53018](#) [300X10779X](#) [160X10189X](#) [160X10419X](#) [160X10959X](#) [162-000-050R000](#) [21018-5](#) [212561-3](#) [248C21550X](#) [CF15P](#) [QLOCKPOST-2](#) [D110277](#) [500-008NF1K-01](#) [500-008NF3R3KS-01](#) [500-017M09FN](#) [500-017M15MHN](#) [500-024M1](#) [500-068M3](#) [5-1393561-5](#) [C115373-0001](#) [C115373-0002](#) [3342-4-KIT](#)