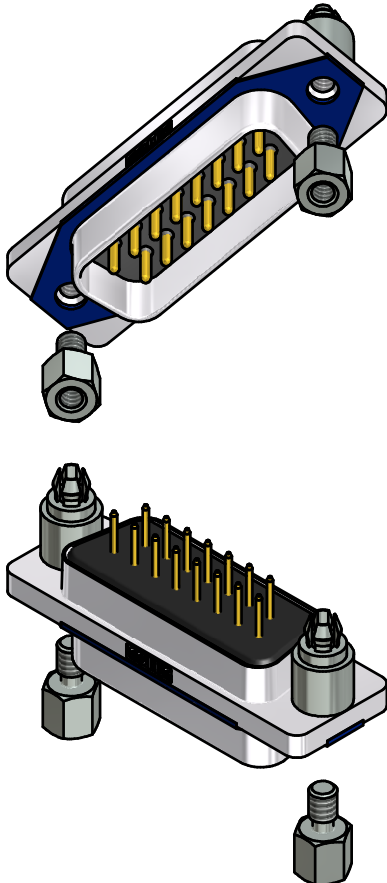
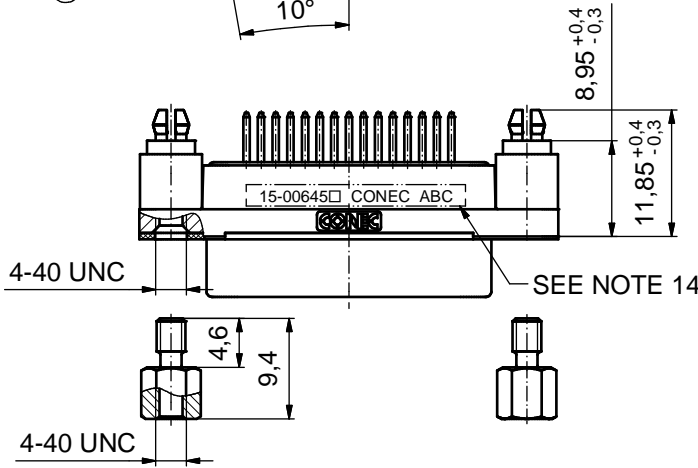
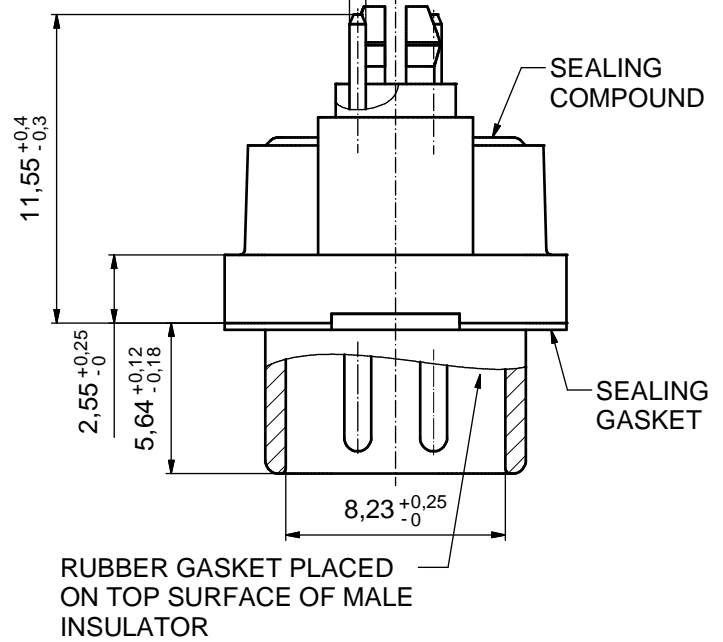
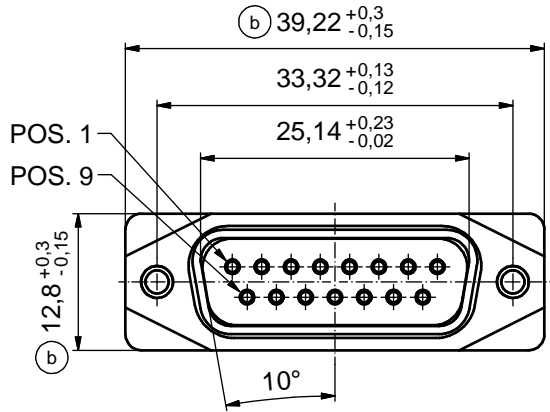


AT ALL TIMES WATER RESISTANT CONNECTORS NOT IN USE SHOULD BE COVERED WITH A CONEC WATER RESISTANT CAP OR WATER TIGHT HOOD.

$\varnothing 0,6 \pm 0,05$  (15x) (5 : 1)



RoHS compliant

**NOTES:**

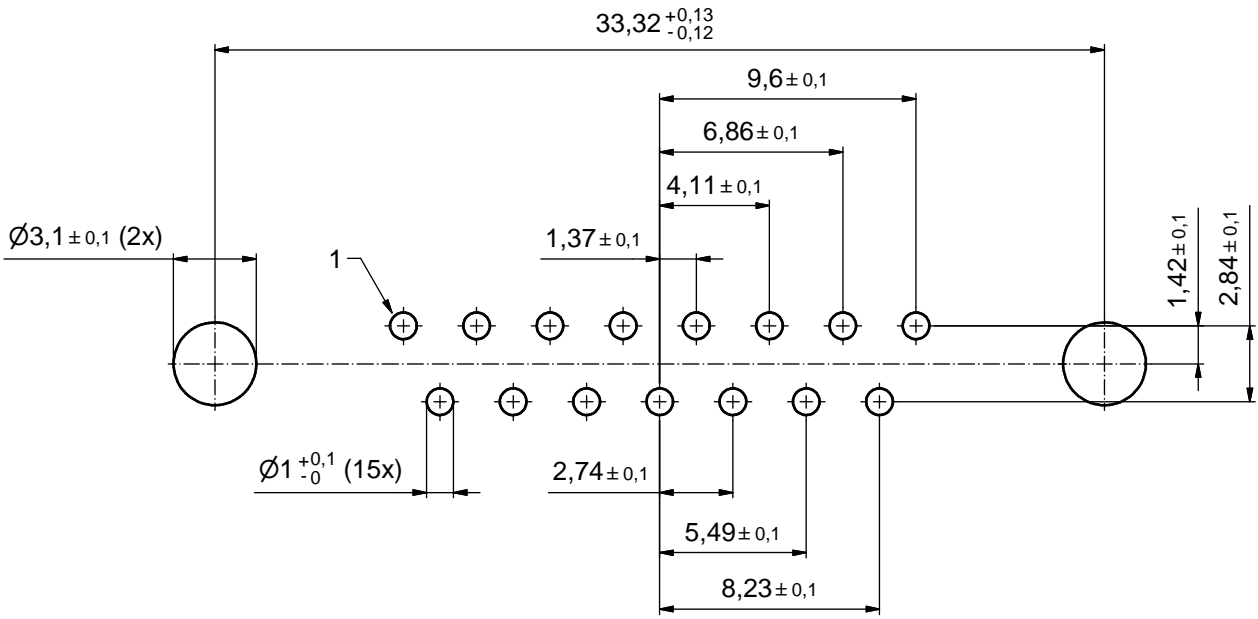
1. FOR WAVESOLDERING (SOLDER BATH TEMPERATURE 265°C FOR 8 SEC. AND SOLDER PREHEAT 150°C FOR 180 SEC.)
2. IP RATING: IP 67
3. SEALED TO WITHSTAND PRESSURE UP TO 1,45 PSI FOR 30 MINUTES AFTER SOLDERING
4. METAL SHELL: ZINC DIE CAST; min. 50µin NICKEL PLATING over COPPER
5. INSULATORS: PBT GF UL 94 V-0; BLACK
6. SEALING GASKET: SILICONE; BLUE
7. RUBBER GASKET: TPE; BLACK
8. SEALING COMPOUND: EPOXY RESIN UL 94 V-0; BLACK
9. CONTACTS: COPPER ALLOY; PLATING (SEE PART-NO.):  
 PLEASE ADD 1 for 30µin HARD GOLD over min. 50µin NICKEL  
 PLEASE ADD 3 for GOLD FLASH over NICKEL
10. REAR SPACER CLIPS: COPPER ALLOY; min. 200µin TIN over 80µin NICKEL  
 PCB-HOLE:  $\varnothing 3,1 \pm 0,1$ mm; PCB THICKNESS 1,6mm
11. HEXLOCKING SCREWS: STAINLESS STEEL
12. P.C.B. HOLE DRILLINGS and RECOMMENDED PANEL CUT-OUT ON SHEET 2
13. RECOMMENDED TORQUE FOR MOUNTING SCREW  
 35Ncm (3.1 in.LB) / max. 67Ncm (6 in.LB)
14. CONNECTOR IS PART MARKED: **15-00645 CONEC ABC** (see note 9)

THIS DRAWING MAY NOT BE COPIED OR REPRODUCED IN ANY WAY, AND MAY NOT BE PASSED ON TO A THIRD PARTY WITHOUT WRITTEN PERMISSION. OWNERSHIP AND COPYRIGHT OF CONEC GmbH DO NOT ALTER CAD DRAWING BY HAND				tolerance			scale: 2:1 (5:1)	
				date			material: SEE NOTES	
		name		drawn 11.09.14 Lehmenkühler		title: <b>D-SUB MALE</b> 15pos. SOLDER PIN STRAIGHT with closed 4-40 UNC thread and rear spacer clip		
		appd. 26.01.15 Fischer		norm				
1 x c		Ä5827 25.09.15 Unkrüer		d-old		dwg no:		
2 x b		Ä5800 04.09.15 M.H.				DIN-A3		
a		Original				sh: 1		
rev. description		date		name		part no: 15K1A1546 (see note 9)		

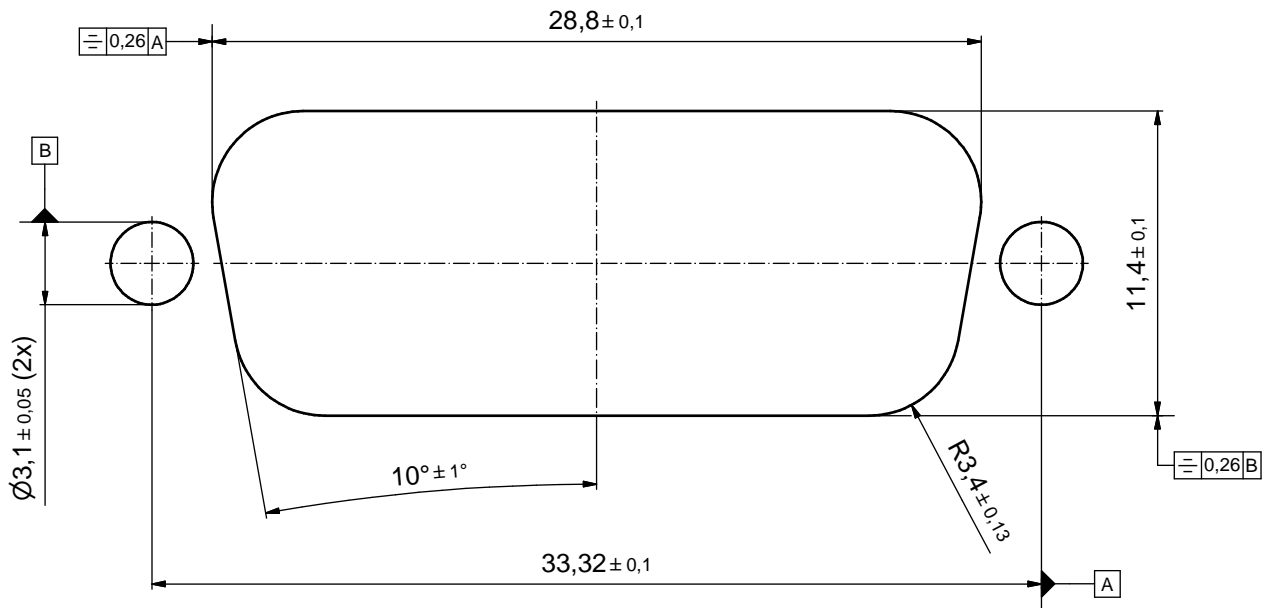


# P.C.B. HOLE DRILLINGS

( P.C.B. TOP SIDE )



## RECOMMENDED PANEL CUT-OUT



THIS DRAWING MAY NOT BE COPIED OR REPRODUCED IN ANY WAY, AND MAY NOT BE PASSED ON TO A THIRD PARTY WITHOUT WRITTEN PERMISSION. OWNERSHIP AND COPYRIGHT OF CONEC GmbH DO NOT ALTER CAD DRAWING BY HAND			tolerance		 dim. in mm	scale: 5:1	
						material: SEE SHEET 1	
			date	name	title:		<b>P.C.B. HOLE DRILLINGS</b> RECOMMENDED PANEL CUT-OUT D-SUB MALE 15pos. SOLDER PIN STRAIGHT
			drawn 11.09.14	Lehmenkühler	dwg no:		
			appd. 26.01.15	Fischer	15K1A1546		
		norm		part no: SEE SHEET 1		DIN-A3	
		d-old				sh: 2	
	a	Original					
rev.	description	date	name				

## X-ON Electronics

Largest Supplier of Electrical and Electronic Components

*Click to view similar products for [D-Sub Standard Connectors](#) category:*

*Click to view products by [CONEC](#) manufacturer:*

Other Similar products are found below :

[56F711-015](#) [012-9507-004](#) [LV242999-142T12](#) [015-0341-000](#) [015-0349-000](#) [015-0372-005](#) [015-0372-008](#) [015-8755-001](#) [020419-0104](#) [012-0467-000](#) [012-0515-000](#) [012-9507-034](#) [012-9507-114](#) [020745-0008](#) [609-25P](#) [CT2-14S-2PCA34](#) [CT2-18-11PCAU](#) [CT2-36-15SC](#) [CT6-14S-2SC](#) [CT6E14SA7SC](#) [CT6E22-14PC](#) [CT6E22-14PS](#) [CT6E22-22PS](#) [M83513/01-FC](#) [M85049/48-3-2F](#) [6STD09PCM99B70X](#) [6STD09SCM99B30X](#) [6STD09SCT99S40X](#) [6STD15PCT99S40X](#) [6STD15SCM99B30X](#) [6STD15SCT99S40X](#) [6STF09PCM05B70X](#) [7-135760-9](#) [MC11E-10-6SN](#) [747552-3](#) [MD1-21PS](#) [MDM-15SCBRM7-F222](#) [MDM96517-699](#) [MDM96521-744](#) [MDVB1-21SL1](#) [MIK0-1-7SH003](#) [MIKQ6-7SH076](#) [MIKQ7-7PH077](#) [MIKQ7-7PH11](#) [MIKQ7-7PH32](#) [MIKQ9-7PH003](#) [MJSV-28SL61](#) [MKJ4A1F14-55S](#) [8-135760-3](#) [8STD09PCM99B30X](#)